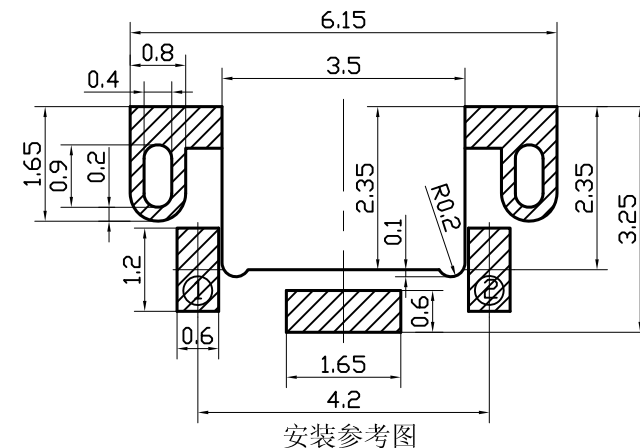
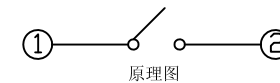
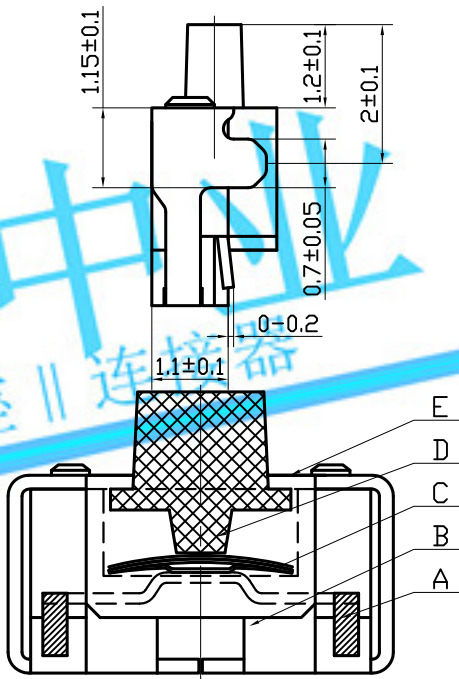
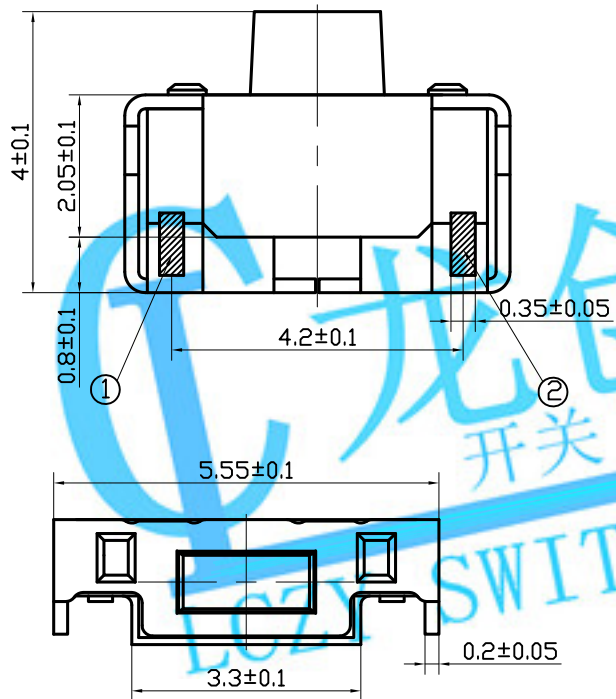




RoHS
Compliant
2002/95/EC

2x4 沉板式 160gf

REV.	ECN. NO.	APPD.



ELECTRO-MECHANICAL CHARACTERISTICS

Refer to additional specifications

E	盖板	HC2	磷铜0.2	1	镀银
D	按钮	HD2	LCP白	1	
C	簧片	HE2	进口不锈钢覆银	2	外购
B	底座	HB1	LCP白	1	
A	卡件	HA2	磷铜0.15	1	镀银
序号	名称	料号	材料	数量	备注

Rating	DC 12V 50mA	
Contact Resistance	100mΩ Max.	
Travel	0.25 ± 0.1mm	
Operating Force	100,130,160±30gf	250±50gf
Operating Life(cycles)	100,000	Phosphor Bronze
	200,000	Stainless Steel

.X ±0.3	X. ±2'	UNITS mm
		MAT'L SEE NOTE
		FINISH SEE NOTE
		Q'TY

THESE DRAWINGS AND SPECIFICATIONS ARE THE PROPERTY OF ACCURATE INNOVATECH INC AND SHALL NOT BE REPRODUCED, COPIED OR USED IN ANY MANNER WITHOUT THE PRIOR WRITTEN CONSENT OF ACCURATE INNOVATECH INC.

LONGCHUANG ZHONGYE (HK)CO.,LIMITED			
TITLE: TACT SWITCH		PART NO.: AT-1102HC	
DR: Ricky 2014/03/25		DWG NO.: ASI-1102HC	
CHKD: Ricky 2014/03/25		SCALE	SHEET
APPD:		1:1	1/1
		REV.	CUSTOMER DRAWING
		A	

