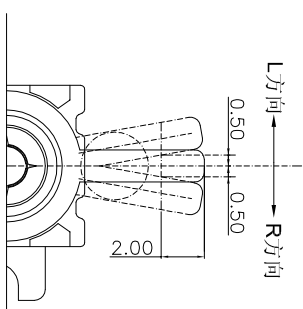
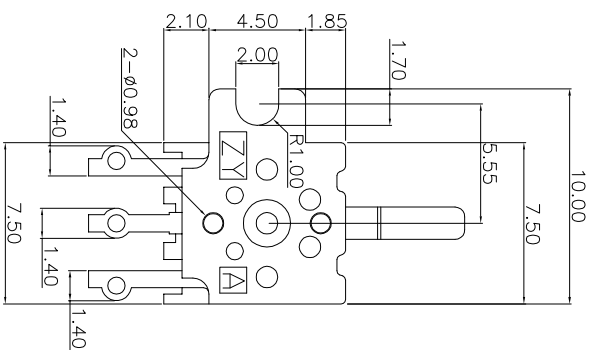
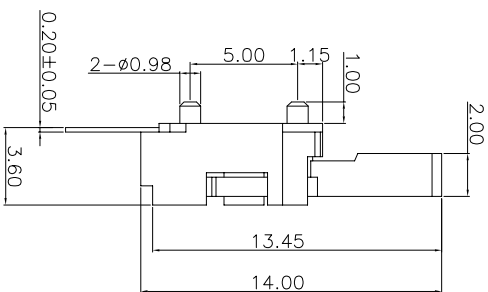
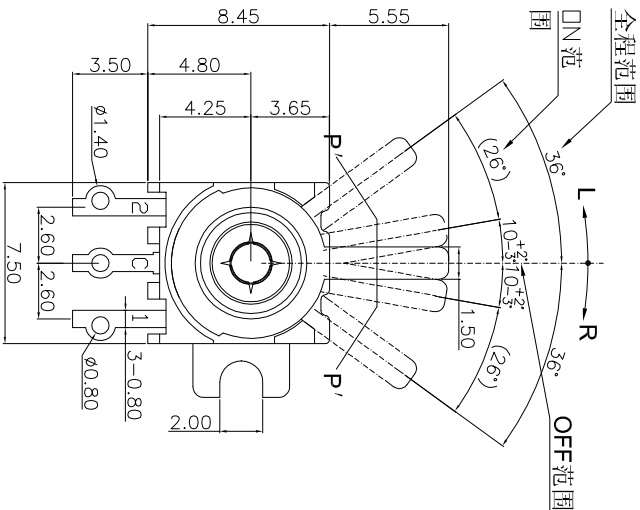
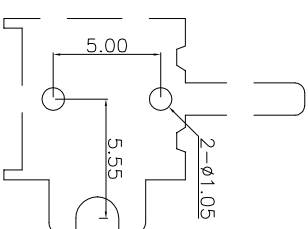


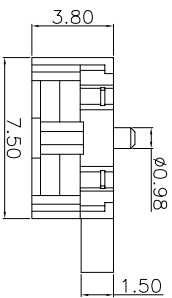
CIRCUIT DIAGRAM



从开关顶端2毫米的位置 往L以及R方向移动时 DN开始位置在0.5±0.35



PCB LAND DIMENSION

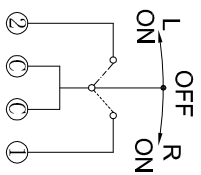
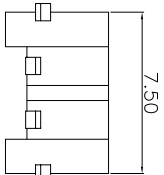


- 技术要求:
1. 零件表面应光洁，注塑件无明显飞边及注塑缺陷，插脚无毛刺及变形；
 2. 在PP'切线方向测量动作力为 $\leq 0.50N$ ；
 3. 手柄左右转过 $\leq 7^\circ$ ，必须不通电；
 4. 未注尺寸公差均按GB1804-m级精度要求

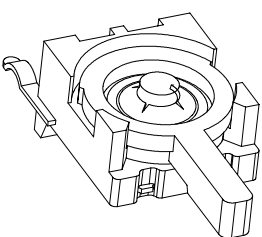
| ITEM | PART NAME | TER'NO. | QTY. | MATERIAL | FINISHING | REMARK |
|------|----------------|---------|------|-----------------|-----------|--------|
| ⑤ | Contact Spring | — | 1 | SUS | Natural | — |
| ④ | Terminal | — | 4 | Phosphor Bronze | Ag Plated | — |
| ③ | Base | — | 1 | PA66 | Black | — |
| ② | Cover | — | 1 | SUS | Black | — |
| ① | Knob | — | 1 | POM | Black | — |

| APPROVALS | | DATE |
|-----------|-----------|----------|
| DRAWN | J.X.Zhang | 2018/8/1 |

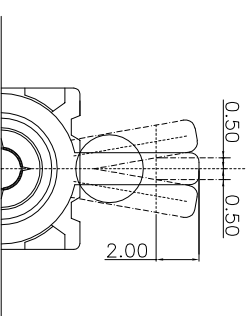
| APPROVALS | | TITLE: | |
|----------------|-------|------------------|--------------|
| CHECKED | | DETECTOR SWITCHS | |
| APPROVALS | | PART NO. | K5-1674DA-01 |
| TOLERANCES ARE | | SCALE: | 1:1 |
| 30~以上 | ±0.30 | UNIT: | mm |
| 10~30 | ±0.20 | DRAWING NO. | |
| 5~10 | ±0.15 | | |
| ~5 | ±0.10 | | |
| ECN NO. | REV. | DATE. | DESCRIPTION. |
| | A | | NEW |



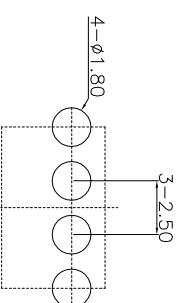
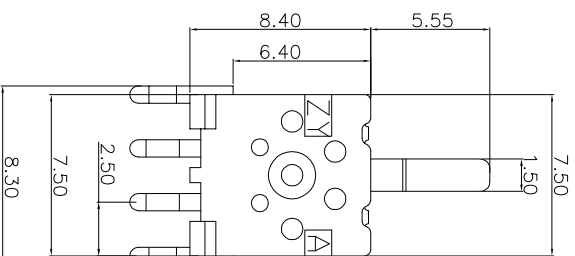
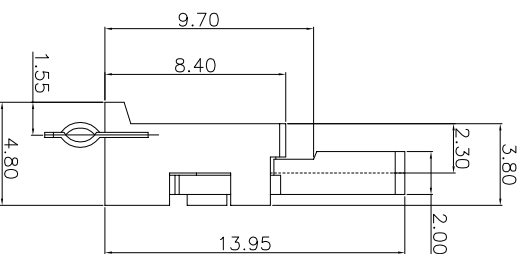
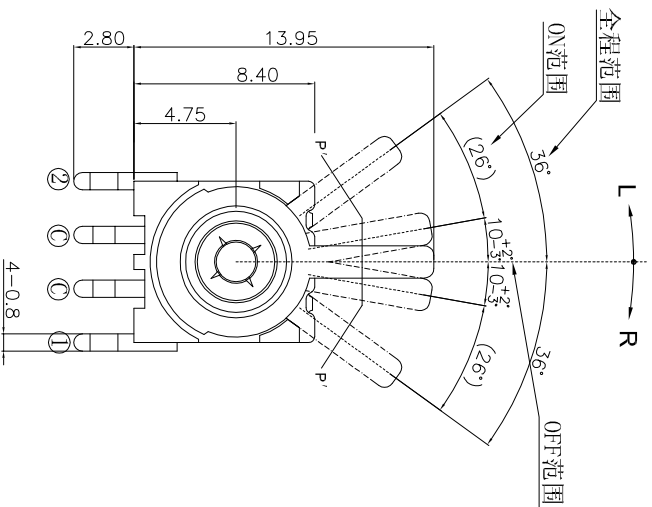
CIRCUIT DIAGRAM



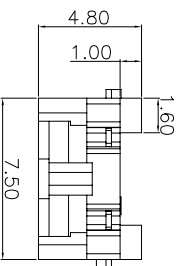
L方向 → R方向



从开关顶端2毫米的位置 往L以及R方向移动时 ON开始位置在 0.5 ± 0.35



PCB LAND DIMENSION



- 技术要求:
1. 零件表面应光洁, 注塑件无明显飞边及注塑缺陷, 插脚无毛刺及变形;
 2. 在PP' 切线方向测量动作力为 $\leq 0.50N$;
 3. 手柄左右转过 $\leq 7^\circ$ 必须不通电;
 4. 未注尺寸公差均按GB1804-m级精度要求。

| ITEM | PART NAME | TER'NO. | QTY. | MATERIAL | FINISHING | REMARK |
|------|----------------|---------|------|-----------------|-----------|--------|
| ⑤ | Contact Spring | — | 1 | SUS | Natural | — |
| ④ | Terminal | — | 4 | Phosphor Bronze | Ag Plated | — |
| ③ | Base | — | 1 | PA66 | Black | — |
| ② | Cover | — | 1 | SUS | Black | — |
| ① | Knob | — | 1 | POM | Black | — |

| APPROVALS | | DATE |
|-----------|-----------|----------|
| DRAWN | J.X.Zhang | 2018/8/1 |

| APPROVALS | | TITLE: | DETECTOR SWITCHS | |
|----------------|---|-------------|------------------|--|
| CHECKED | | PART NO. | K5-1674DA-02 | |
| APPROVALS | | SCALE: | 1:1 | |
| TOLERANCES ARE | 30~Ø以上 ±0.30 10~30 ±0.20 5~10 ±0.15 ~5 ±0.10 | ANGLE | ±2° | |
| CHANGE. | | UNIT: | mm | |
| CHECK. | | DRAWING NO. | | |
| APPRO. | | | PROJ: | |
| DESCRIPTION. | NEW | | SHEET 1 OF 1 | |
| REV. | A | | | |
| DATE. | | | | |
| ECN NO. | | | | |