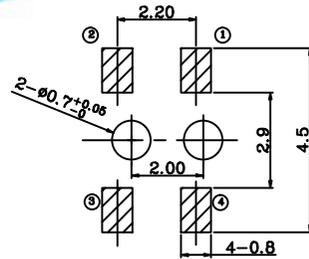
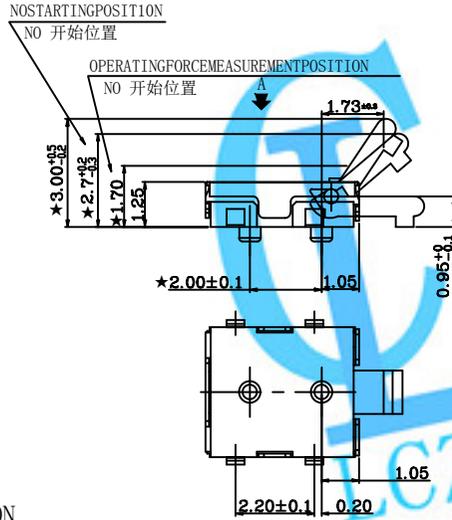
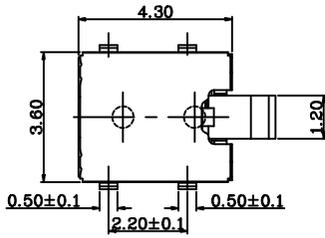
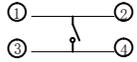
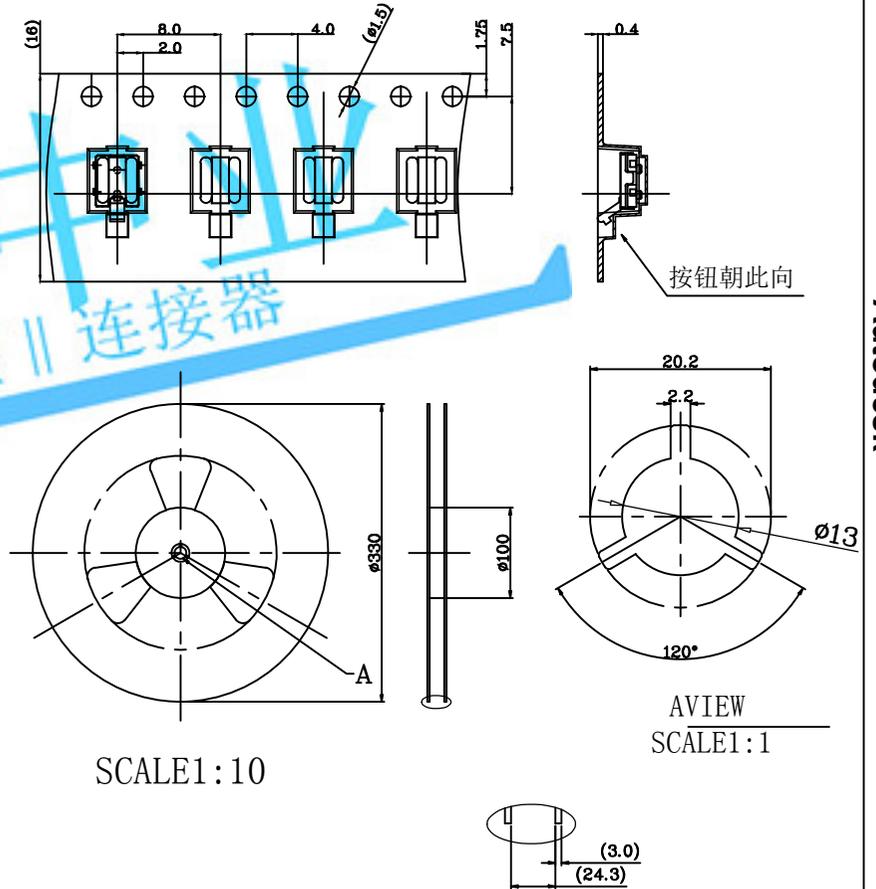


CIRCUITDIAGRAM



P. C. B. Layout

REV.	DESCRIPTION	DATE	DRAWN	CHECKED	APPROVED
A	NEWDWG	062519'	YHJ	YHJ	YHJ



SPECIFICATION

1. RATING: 0.1to5mA5VDC
2. OPERATING FORCE: 40gfMax
3. LIFE: 50,000cycles
4. PACKAGE: 3000PCS REEL
5. CONTACT RESISTANCE: 1Ω Max
6. " " GO IS THE KEY SIZE

NO.	PARTS	MATERIALS	Q' TY	FINISH	APPROVED DATE	HAIJIN.YU2019.06.25	CUSTOMER DRAWING	SCALE	UNIT	SHEET	DWGNO.	MODEL	LCZY-020E				
5	KNOB	PPAPA46	1	BLACK	TOLERANCES UNLESS OTHERWISE SPECIFIED WITHIN: 1.5mm ± 0.1mm OVER: 1.5mm ± 0.2mm	DRAWN DATE	HAIJIN.YU2019.06.25	1:1	mm	11	TACTSWITCH	SCALE	UNIT	SHEET	DWGNO.	MODEL	LCZY-020E
4	COVER	STAINLESS STEEL	1	NATURAL													
3	CONTACT SPRING	Cu	1	AG-PLATE													
2	CASE	LCP	1	BLACK	CHECKED DATE	HAIJIN.YU2019.06.25	CUSTOMER DRAWING	1:1	mm	11	DWGNO.	MODEL	LCZY-020E				
1	TERMINAL	Cu	4	AG-PLATE	APPROVED DATE	HAIJIN.YU2019.06.25	CUSTOMER DRAWING	1:1	mm	11	DWGNO.	MODEL	LCZY-020E				

龙创中业电子(深圳)有限公司