

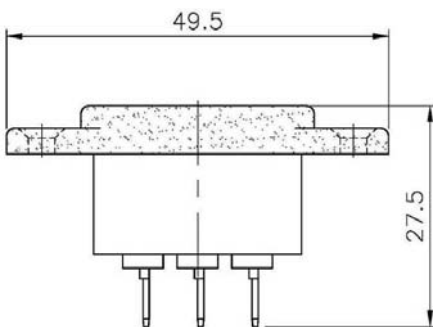
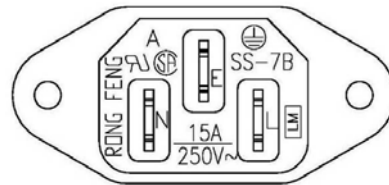
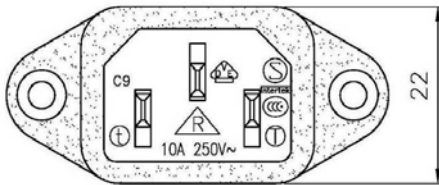
# 產品規格圖

## (STANDARD OF PRODUCTS)

產品類別(CATOLOGE): IEC公座 (IEC INLET)  
產品名稱(NAME): SS-7B  
規格(STANDARD): IEC 60320 C14  
材質(MATERIAL): PBT  
電流(CURRENT RATING): (1)15A  
(2)10A  
電壓(VOLTAGE RATING): (1)250V AC  
(2)250V AC  
產品認證(APPROVALS): (1)UL/CSA  
(2)VDE/SEMKO/CCC/KC/BSMI



## 規 格 圖 (SPECIFICATION)



### TERMINAL MODEL

