

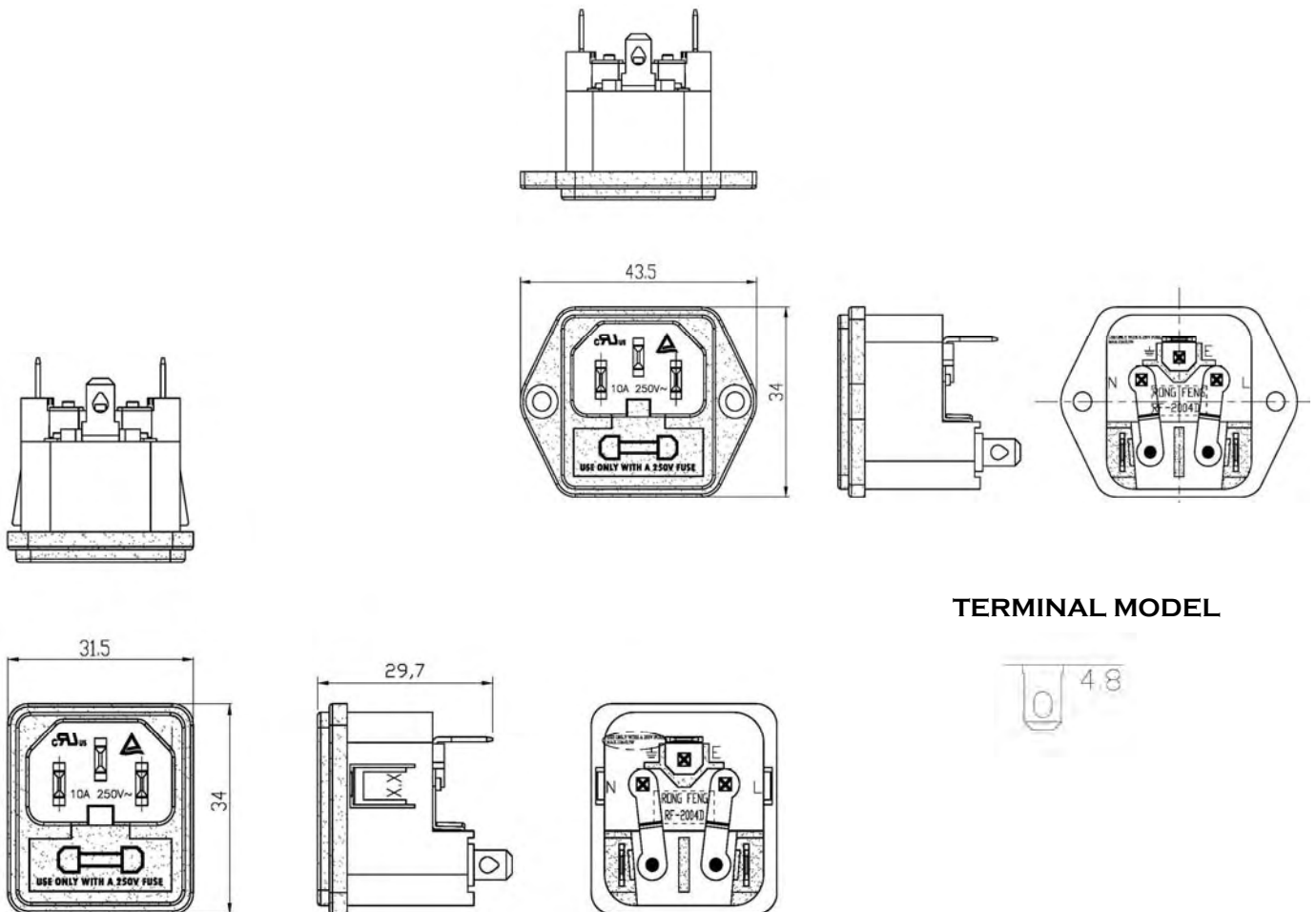
產品規格圖

(STANDARD OF PRODUCTS)

產品類別(CATOLOGE):	IEC公座+5X20MM雙保險絲座 (IEC INLET WITH 5*20MM TWO FUSE HOLDER)
產品名稱(NAME):	RF-2004D
規格(STANDARD):	IEC 60320C 14/IEC60127
材質(MATERIAL):	PC OR NYLON
電流(CURRENT RATING):	10A
電壓(VOLTAGE RATING):	250V AC
產品認證(APPROVALS):	UL/CUL/TUV



規 格 圖 (SPECIFICATION)



TERMINAL MODEL