

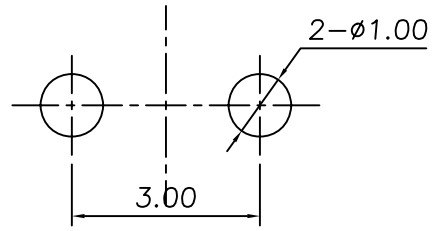
RoHS
Compatible

4				
3				
2				
1				
ZONE	REV	DESCRIPTION	DATE	APPD.

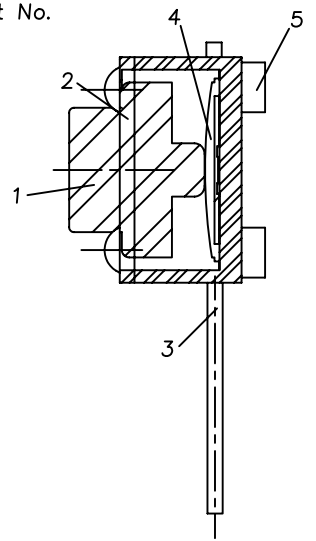
Circuit Diagram



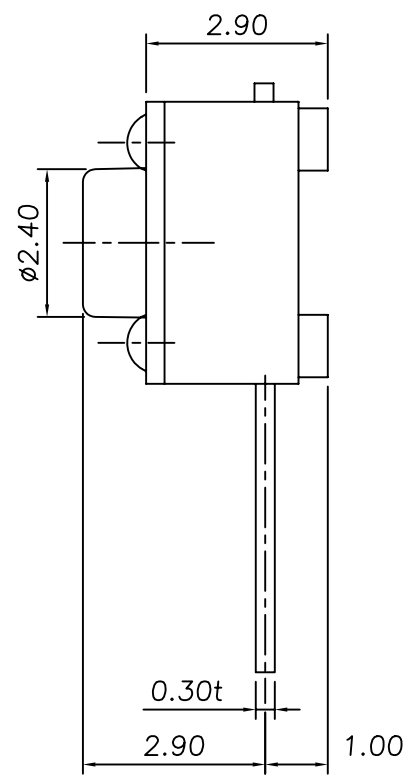
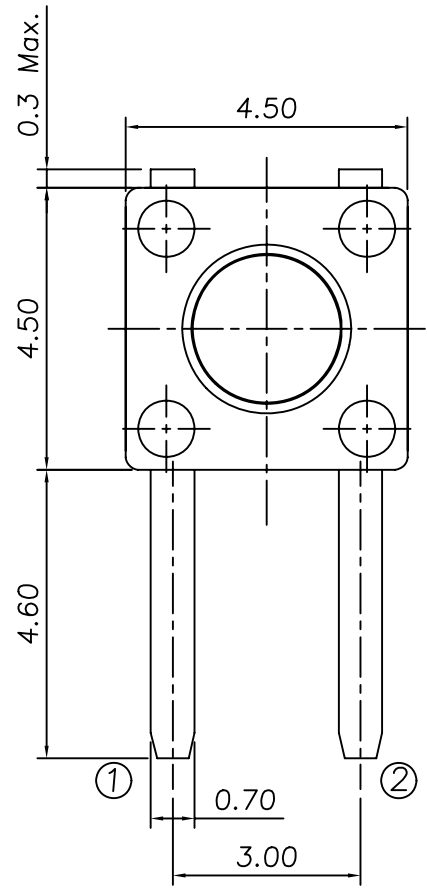
P.C.B Mounting pattern Dimension



Part No.



ng Force : 250±50gf
6. Life Cycles : 80,000 cycles



5	Case	PA66	1	Black
4	Contact	SUS	1	Ag CLAD
3	Terminal	Brass	2	Ag Coating
2	Cover	SPCC	1	Ag Coating
1	Stem	PA66	1	Black
No.	Part Name	Material	Q"ty	Finishing

龙创中业电子(深圳)有限公司

DESIGN	Will	SCALE			TOLERANCE UNLESS OTHERWISE STATED(mm)	PART NAME	TACT SWITCH	
DRAWING	Will	UNIT	mm		less than 10	±0.2	PART NO	TS-AN09V-3-S056
CHECK	Will	SIZE	A4: 210*297		10~30	±0.3	DRAWING NO	
APPROVAL	Eric	VERSION	01		30~100	±0.5	DATE	2010/09/16
					ANGIE	±2'		