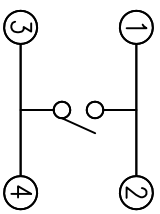
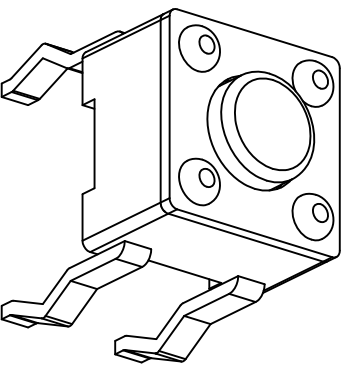
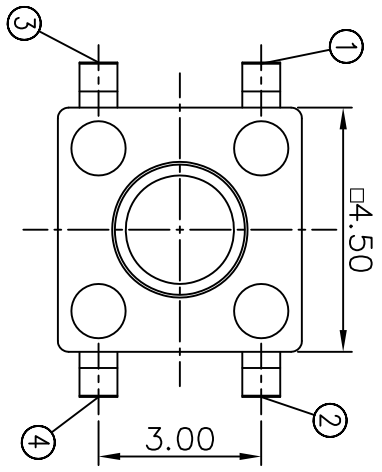
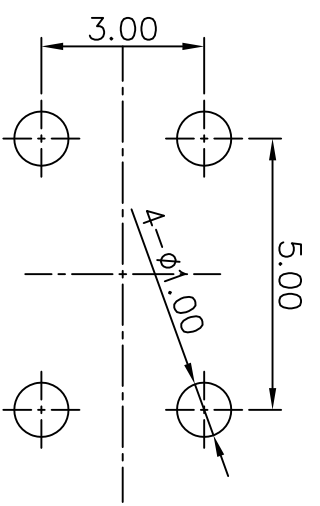


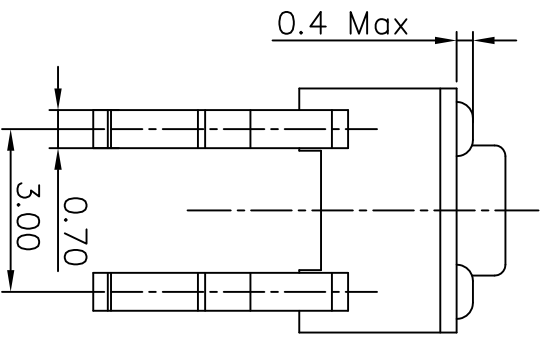
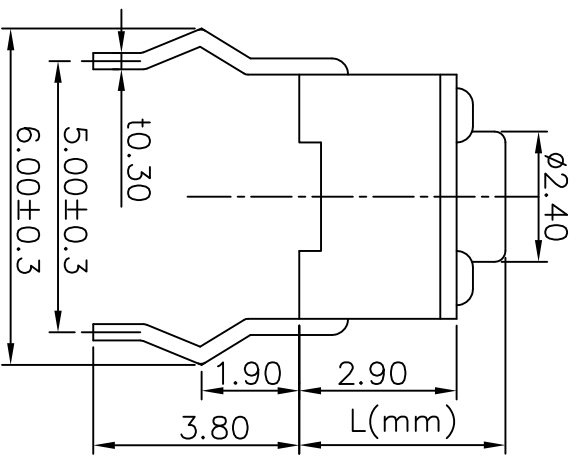
△				
△				
△				
△				
△				
ZONE	REV	DESCRIPTION	DATE	APPD.



CIRCUIT DIAGRAM



PCB LAYOUT MOUNTING PATTERN



ORDER INFORMATION:
TS-A09x-x-S085

Force
Stem Height

STEM HEIGHT

Model No.	L(mm)
TS-A09	3.8
TS-A09A	7.0
TS-A09B	4.8

SPECIFICATION

1. Rating : 50mA, DC12V Max.
2. Contact Resistance : 100mΩ Max.
3. Travel : 0.25±0.1mm
- 4.

Model	Operating Force	Life Cycles
TS-A09x-1	130±30gf	100,000
TS-A09x-2	160±50gf	100,000
TS-A09x-3	250±50gf	100,000

DESIGN	Frank	SCALE		TOLERANCE UNLESS OTHERWISE STATED(mm)	PART NAME	TACT SWITCH
DRAWING	Frank	UNIT	mm	less than 10 ±0.2	PART NO	TS-A09x-x-S085
CHECK	Frank	SIZE	A4: 210*297	10~30 ±0.3	DRAWING NO	
APPROVAL	Eric	VERSION	01	30~100 ±0.5	DATE	2013/09/02
				ANGLE ±2°		

龙创中业电子（深圳）有限公司

ROHS
Compatible