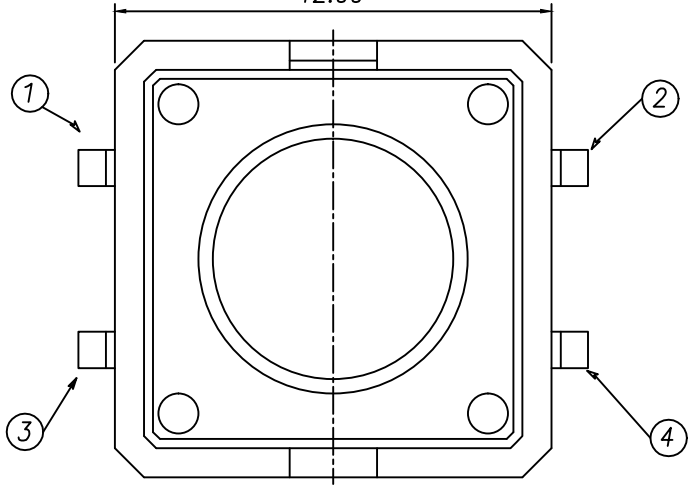
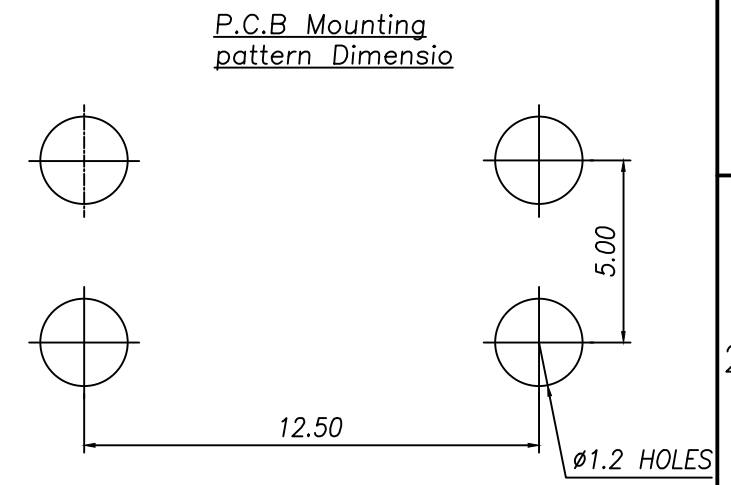
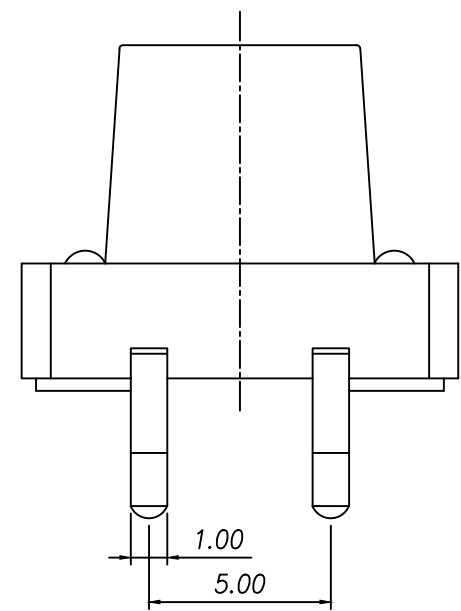
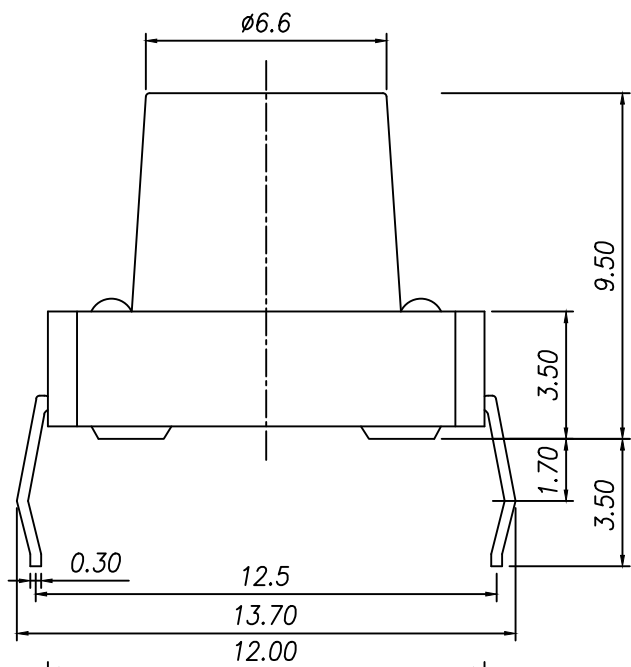


△				
△				
△				
△				
ZONE	REV	DESCRIPTION	DATE	APPD.

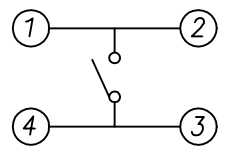
Order information :
 TS-A03F-3-S001
 Force
 Model type
 Tact Switch

發行
 2014.08.12
 達立

RoHS
Compatible



Circuit Diagram



- Specifcation
1. Rating : DC 12V 50mA Max.
 2. Travel : 0.3 ± 0.1mm
 3. Operating life : 10,000 cycles Min.
 4. Operating force: 250 ± 50gf

5	Cover	Brass	1	Sn plated
4	Contact	Phosphor Bronze	1	Ag plated
3	Stem	PolyAmide	1	Black
2	Terminal	Brass	4	Ag plated
1	Case	PolyAmide	1	Black
NO	Part Name	Material	Q"ty	Finishing

龙创中业电子（深圳）有限公司

DESIGN	ROSS	SCALE		
DRAWING	ROSS	UNIT	mm	
CHECK	ELSA	SIZE	A4: 210*297	
APPROVAL	Eric	VERSION	01	

TOLERANCE UNLESS OTHERWISE STATED(mm)	PART NAME	TACT SWITCH
less than 10 — ±0.3	PART NO	TS-A03-3-S001
10~30 — ±0.4	DRAWING NO	
30~100 — ±0.5	DATE	2014/08/07
ANGIE — ±2'		