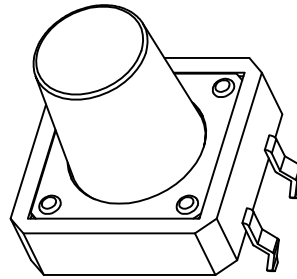
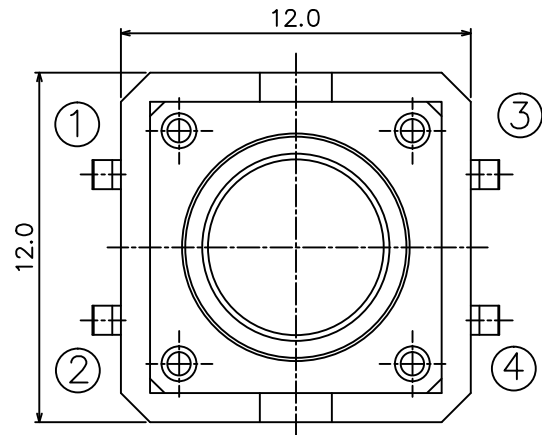


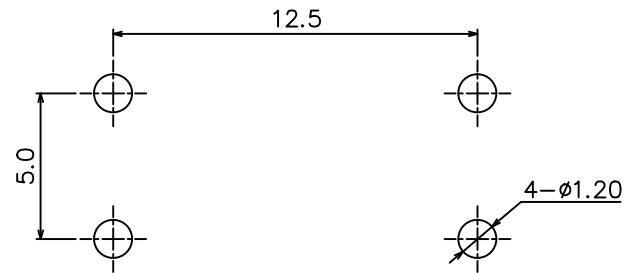
△				
△				
△				
△				
ZONE	REV	DESCRIPTION	DATE	APPD.

達立  
2015.04.29  
發行

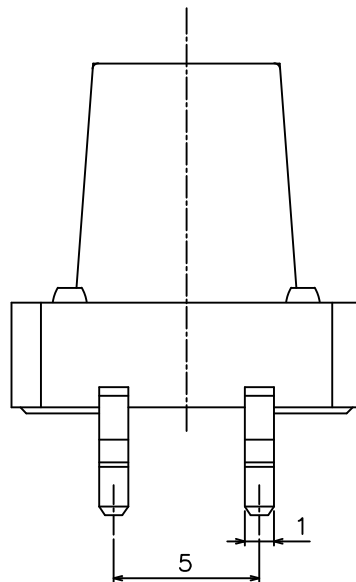
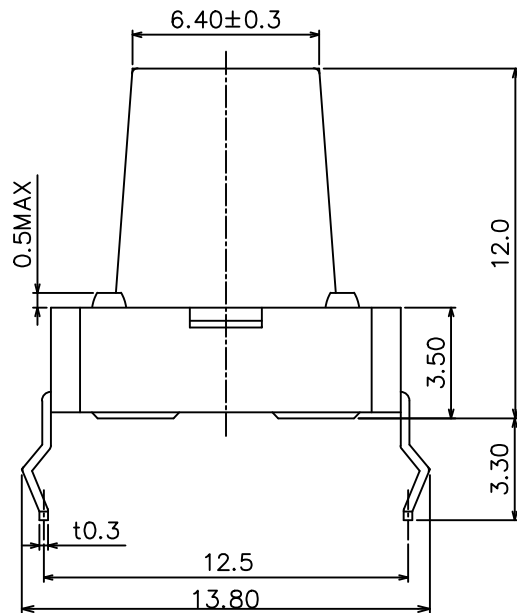
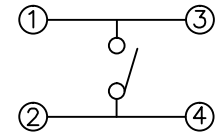
**RoHS**  
**Compatible**



P.C.B Mounting pattern Dimension



Circuit diagram



Specifications

1. Rating : DC 12V, 50mA Max.
2. Travel : 0.35±0.15mm
3. Contact resistance: 100mΩ Max.
4. Insulation resistance: 100MΩ Min.
5. Operating force : 100/160/260 ±50gf
6. Operating life: 100,000 cycles Min.

5	Terminal	Brass	4	Ag Plated
4	Cover	SUS	1	Ni Plated
3	Contact	Copper alloy	1	Ag Clad
2	Stem	PPA	1	Black
1	Base	PPA	1	Black
NO	Part Name	Material	Q'ty	Finishing

龙创中业电子（深圳）有限公司

DESIGN	Will	SCALE		
DRAWING	Ross	UNIT	mm	
CHECK	Elsa	SIZE	A4: 210*297	
APPROVAL	Eric	VERSION	01	

TOLERANCE UNLESS OTHERWISE STATED(mm)	PART NAME	TACT SWITCH
less than 10 — ±0.2	PART NO	TS-A03D-x-S085 series
10~30 — ±0.3	DRAWING NO	
30~100 — ±0.5	DATE	2015/04/29
ANGLE — ±2°		