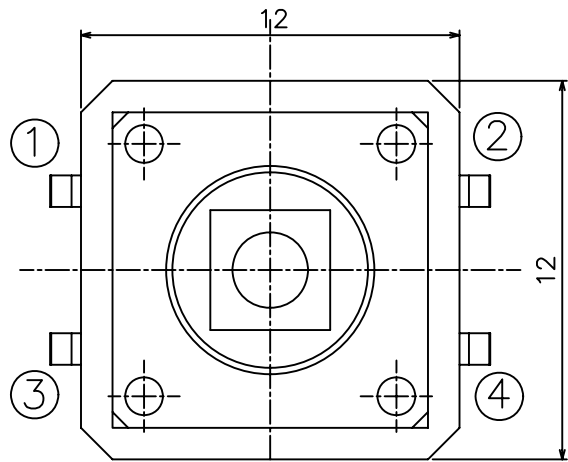
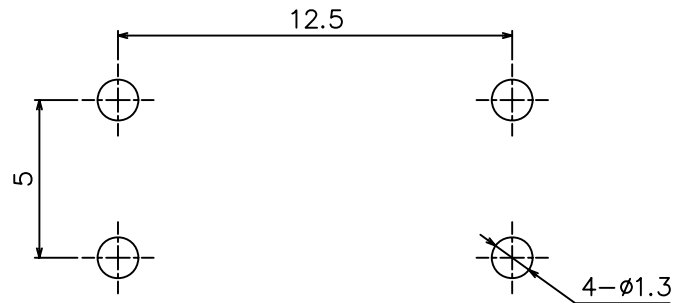


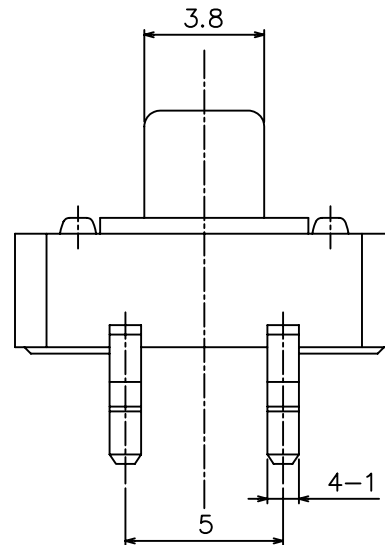
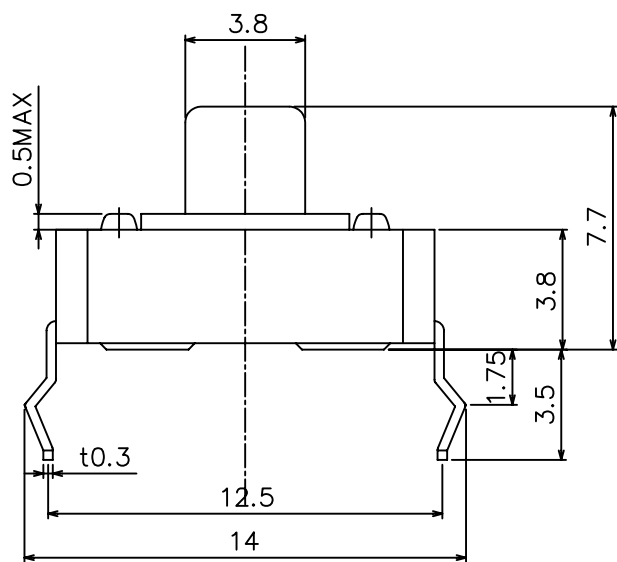
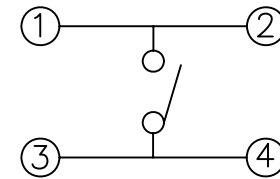
RoHS
Compatible



P.C.B Mounting
pattern Dimension



Circuit diagram



Specifications

1. Rating : DC 12V, 50mA Max.
2. Circuit : 1C - 1P
3. Travel: 0.3±0.15mm
4. Contact resistance : 100mΩ Max.
5. Operating force : 130,160,250±50gf
6. Operating life: 80,000 cycles Min.

龙创中业电子（深圳）有限公司

DESIGN		SCALE		
DRAWING		UNIT	mm	
CHECK	Will	SIZE	A4: 210*297	
APPROVAL		VERSION	01	

TOLERANCE UNLESS OTHERWISE STATED(mm)
—
—
—

PART NAME	
PART NO	TS-A03C
DRAWING NO	
DATE	