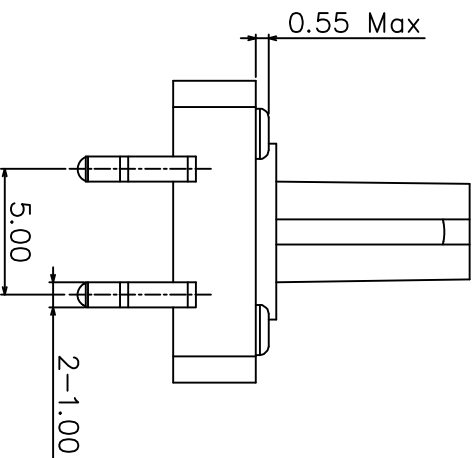
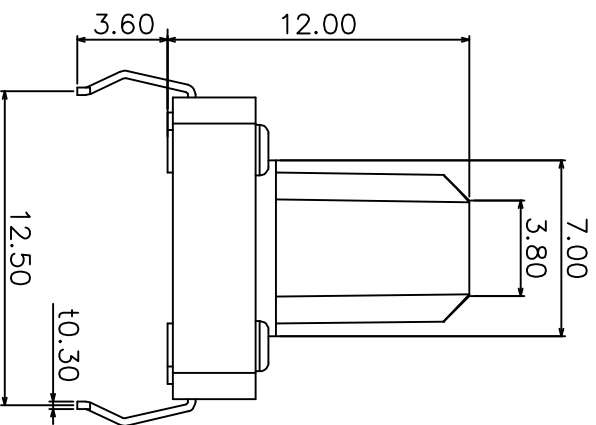
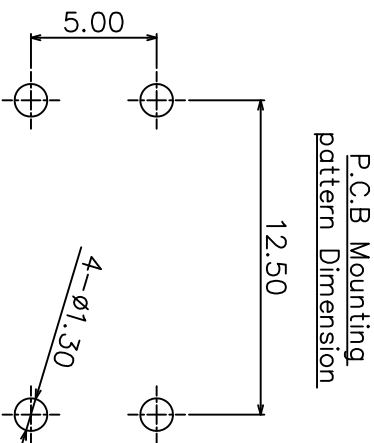
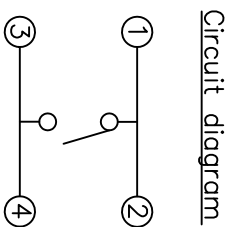
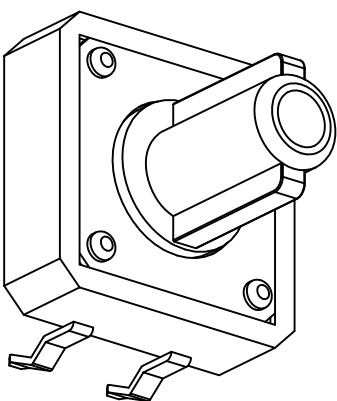
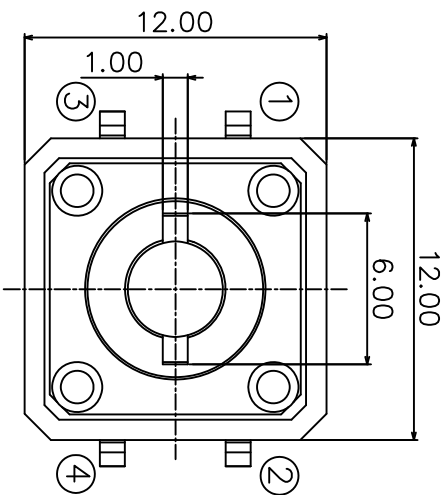


△				
△				
△				
△				
△				
ZONE	REV	DESCRIPTION	DATE	APPD.

Order Information:
TS-A03A-x-S085 series
Operating Force

ROHS
Compatible



- Specifications**
1. Rating : DC 12V, 50mA Max.
 2. Circuit : 1C - 1P.
 3. Travel : 0.3±0.15mm.
 4. Contact resistance : 100mΩ Max.
 5. Operating force : 2-160±50gf/3-250±50gf.
 6. Operating life : 100,000 cycles Min.

NO	Part Name	Material	Q'ty	Finishing
5	Terminal	Brass	4	Ag Plated
4	Cover	Brass	1	Ag Plated
3	Contact	Phosphor Bronze	1	Ag Clad
2	Stem	PA66	1	Black
1	Base	PA66	1	Black

TOLERANCE UNLESS OTHERWISE STATED(mm)		PART NAME	
less than 10	±0.2	PART NO	TS-A03A-x-S085 series
10~30	±0.3	DRAWING NO	
30~100	±0.5	DATE	2013/05/09

DESIGN	FRANK	SCALE	UNIT	SCALE
DRAWING	Frank		mm	
CHECK	Frank	SIZE	A4: 210*297	
APPROVAL	Eric	VERSION	01	

龙创中业电子（深圳）有限公司

