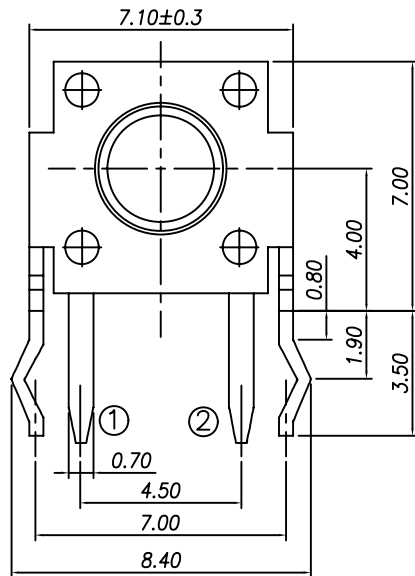
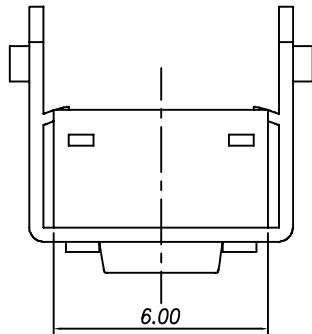


**RoHS**  
**Compatible**

4				
3				
2				
1				
ZONE	REV	DESCRIPTION	DATE	APPD.

Order Information:  
TS-A02V--S017

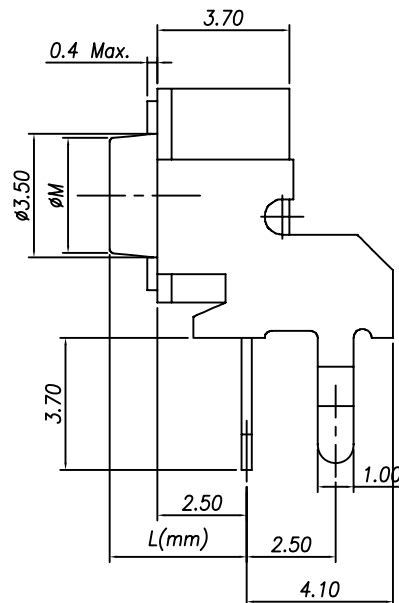
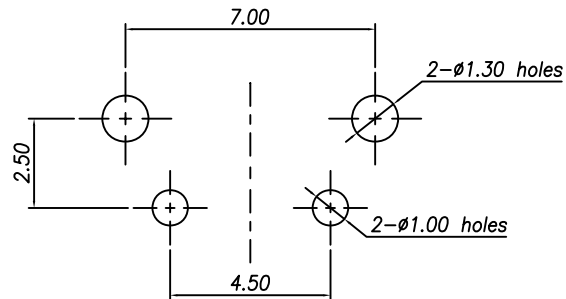
Force Height



Circuit Diagram



P.C.B Mounting pattern Dimension



tion resistance : 100MΩ Min.

- Travel : 0.25 +0.2/-0.1mm
- Operating life : 100,000 cycles
- 

Model	L	M	Stem Color	O/Force
TS-A02V-1	3.15	φ3.5	Brown	100±30gf
TS-A02VA-1	3.85	φ3.5		
TS-A02VB-1	5.85	φ3.3		
TS-A02VC-1	6.85	φ3.2		
TS-A02VD-1	8.35	φ3.1		
TS-A02VE-1	6.15	φ3.25		
TS-A02VH-1	15.85	φ2.8		
TS-A02VR-1	7.35	φ3.09		
TS-A02VK-1	11.85	φ2.87		
Model	L	M	Stem Color	O/Force
TS-A02V-2	3.15	φ3.5	White	160±50gf
TS-A02VA-2	3.85	φ3.5	Black	
TS-A02VB-2	5.85	φ3.3	Blue	
TS-A02VC-2	6.85	φ3.2	White	
TS-A02VD-2	8.35	φ3.1	Black	
TS-A02VE-2	6.15	φ3.25	Ivory	
TS-A02VH-2	15.85	φ2.8	Black	
TS-A02VR-2	7.35	φ3.09	Black	
TS-A02VK-2	11.85	φ2.87	Black	
Model	L	M	Stem Color	
TS-A02V-3	3.15	φ3.5	Red	260±50gf
TS-A02VA-3	3.85	φ3.5		
TS-A02VB-3	5.85	φ3.3		
TS-A02VC-3	6.85	φ3.2		
TS-A02VD-3	8.35	φ3.1		
TS-A02VE-3	6.15	φ3.25		
TS-A02VH-3	15.85	φ2.8		
TS-A02VR-3	7.35	φ3.09		
TS-A02VK-3	11.85	φ2.87		

5	Contact Plate	Phosphor Bronze	1	Ag Plated
4	Stem	Nylon66	1	-
3	Bracket	SPTE	1	Sn Plated
2	Terminal	Brass	2	Ag Plated
1	Case	Nylon 66	1	Black
NO	Part Name	Material	Q'ty	Finishing

龙创中业电子（深圳）有限公司

DESIGN	SCALE	
DRAWING	UNIT	
CHECK	SIZE	
APPROVAL	VERSION	

TOLERANCE UNLESS OTHERWISE STATED(mm)	
less than 10	±0.3
10~30	±0.4
30~100	±0.5
ANGLE	±2°

PART NAME	
PART NO	TS-A02V
DRAWING NO	
DATE	