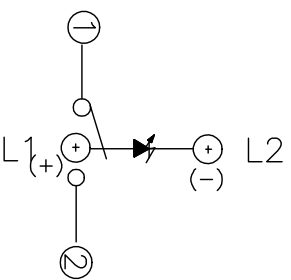


P.C.B LAYOUT



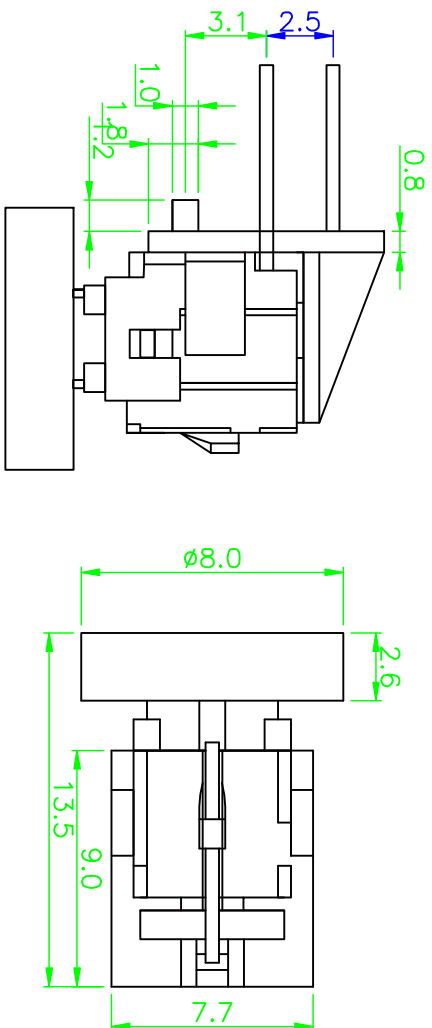
CIRCUIT

- NOTES:
- 1.RATING: 12VDC 50mA
  - 2.CONTACT RESISTANCE: 100mΩ Max
  - 3.INSULATION RESISTANCE: 100MΩ 250VDC FOR 1MIN
  - 4.DIELECTRIC STRENGTH: 250VAC(50/60Hz) FOR1MIN
  - 5.LIFE TEST:100,000 CYCLES
  - 6.OPERATION FORCE&TRAVEL: SEE SPECIFICATION

6	LED	BRONZE PLATED SILVER
5	COVER	PC/PET
4	PUSH BUTTON	PA66
3	SPRING PLATE	PBS SILVER CLAD
2	CASE	PA66
1	TERMINAL	SILVER PLATED BRONZE
NO.	PART NAME	MATERIAL

龙创中业电子（深圳）有限公司

LED COLOR					
1	2	3	4	5	6
Red	Yellow	Green	Blue	White	Pure Green
12	13	14	23		
Red	Green	Red	Blue	Yellow	Green



TOLERANCE		PART NO.:		TITLE	
UNLESS OTHERWISE STATED		<b>带灯开关</b>		<b>TACT SWITCH</b>	
X.X	±0.25	DRAWN	DATE	MODEL	
X.XX	±0.1	<b>27 27</b>	<b>2012.05.16</b>	MATL	<b>HF01-1071M8D-XX</b>
REV	A	CHK'D	DATE	FINISH	
SIZE	A4	SCALE	4:1		
	SHEET		1 OF 1		
		DATE	<b>2012.05.16</b>		

