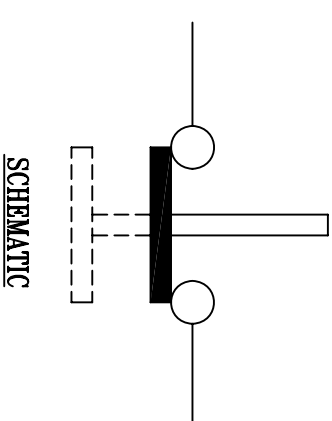
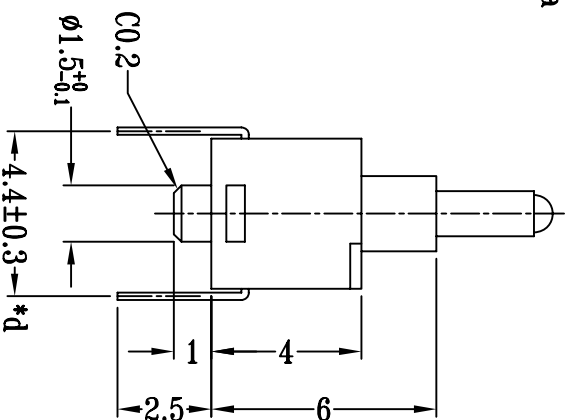
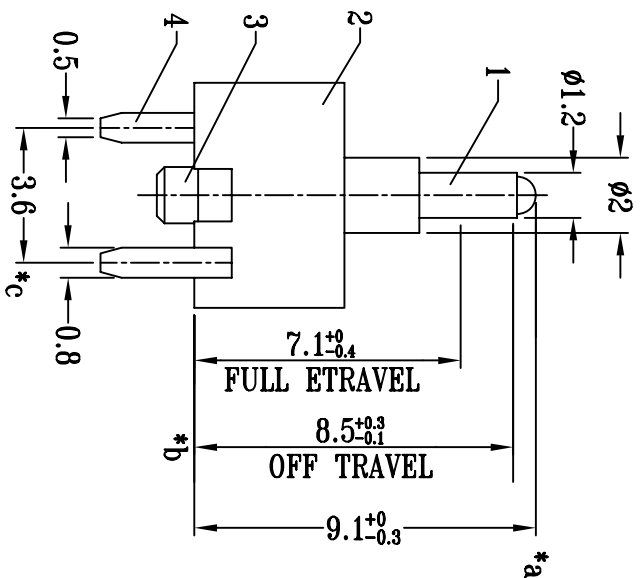
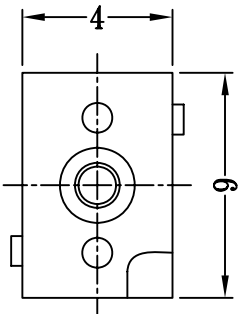
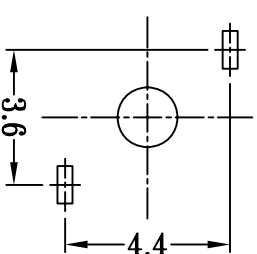




CAD FILE:



SCHEMATIC



.YOUT

注：“\*”表示关键尺寸（4个）

8					TOLERANCE UNLESS SPECIFIED		龙创中业电子（深圳）有限公司	
7					WITHIN: 1.5±0.1mm OVER: 1.5±0.2mm		ISSUE	DATE
6	SPRING	STAINLESS STEEL	1	TEMPER			UNIT: MM	DRWG NO.: XJ-DR-TC00090-00
5	CONTACT CLIP	PBS	1	Ag CLAD			SCALE: 5 : 1	DESCRIPTIONS
4	TERMINAL	BRASS STRIP	2	Ag PLATED OVER Ni PLATED	TITLE: TACT SWITCH		APPD.	
3	BASE	PC	1	CLEAR	MODEL: TC-0090		DWN. ZHO	
2	CASE	PA46	1	BLACK	ALL MATERIALS MUST BE COMPLIANT TO ROHS		CHK'D FANGYING	
1	KNOB	POM	1	BLACK			APPD. KANGNAN	
NO.	PART NAME	MATERIAL	QTY	FINISHING			2004-4-6	