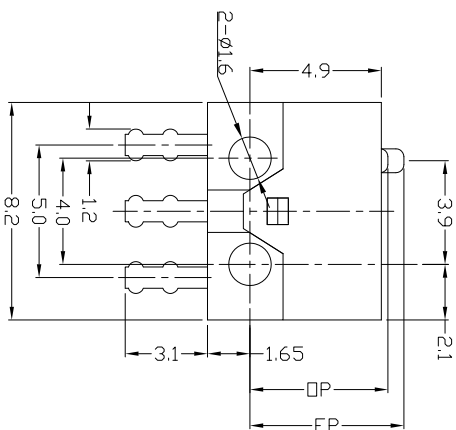




RoHS
Compliant
2002/95/EC

DIMENSIONS



1.Functional spec

1.1 Rated Voltage	DC 6V
1.2 Rated Current	0.3A
1.3 Contact Resistance	≤50mΩ(Initial value)
1.4 Operating Force	90±30gf
1.5 Bounce Time	
1.6 Free Position	5.2±0.2mm
1.7 Operating Position	5.0±0.2mm
1.8 Position Travel	
1.9 Return Force	

2.Reliable Rating

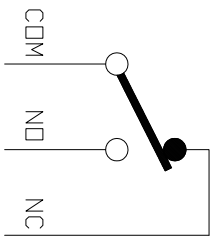
2.1 Mechanical Life	100,000 CYCLES
2.2 Electrical Life	50,000 CYCLES
2.3 Insulation Resistance	≥100MΩ DC250V
2.4 Withstand Voltage	AC250V 1 minute
2.5 Soldering Technic	Hand/Wave soldering
2.6 Operating Temper	-25°C ~ +85°C
2.7 Ambient Humidity Used	<85%RH

MODEL CODE

DS037-00X-XX

1 2 3 4

- Series : DS037
- Actuator Button : 00=Non-lever 01=99=Lever
- Termination : see chart(P/C/D/C1/D1)
- Operating Force : see chart

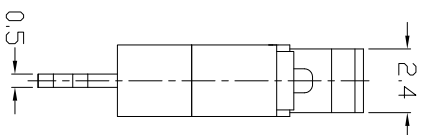
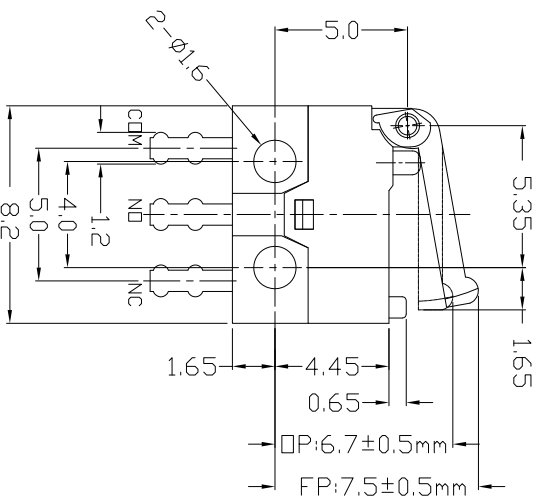
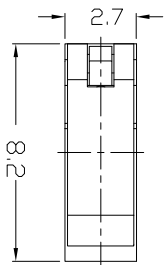


CIRCUIT DIAGRAM

Tolerance:±0.2	UNITS mm	龙创中业电子（深圳）有限公司 TITLE: Mixture MICRO SWITCH DS037 SERIES PART NO.: DS037-00P-90 DWG NO.: ATD-00X-90 SCALE: 1/2 SHEET: 11 REV: A CUSTOMER DRAWING				
	MAT'L					SEE NOTE
	FINISH					SEE NOTE
	Q'TY					
<small>THESE DRAWINGS AND SPECIFICATIONS ARE THE PROPERTY OF ACCURATE INNOTECH INC AND SHALL NOT BE REPRODUCED, COPIED OR TRANSMITTED IN ANY FORM OR BY ANY MEANS WITHOUT THE WRITTEN CONSENT OF ACCURATE INNOTECH INC.</small>		<small>DR: <i>Rocky</i> 2017/7/19</small> <small>CHKD: <i>Rocky</i> 2017/7/19</small> <small>APPD:</small>	<small>SCALE: 1/2</small> <small>SHEET: 11</small> <small>REV: A</small>	<small>DWG NO.: ATD-00X-90</small> <small>SCALE: 1/2</small> <small>SHEET: 11</small> <small>REV: A</small>		

Process
Compliant
2002/95/ECRoHS
Compliant

DIMENSIONS

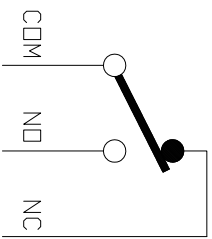


1. Functional spec

1.1 Rated Voltage	DC 6V
1.2 Rated Current	0.3A
1.3 Contact Resistance	≤50mΩ(Initial value)
1.4 Operating Force	10~45gf
1.5 Bounce Time	
1.6 Free Position	7.5±0.5mm
1.7 Operating Position	6.7±0.5mm
1.8 Position Travel	
1.9 Return Force	

2. Reliable Rating

2.1 Mechanical Life	100,000 CYCLES
2.2 Electrical Life	50,000 CYCLES
2.3 Insulation Resistance	≥100MΩ DC250V
2.4 Withstand Voltage	AC250V 1 minute
2.5 Soldering Technic	Hand/Wave soldering
2.6 Operating Temper	-25°C ~ +85°C
2.7 Ambient Humidity Used	<85%RH



CIRCUIT DIAGRAM

MODEL CODE

DS037-01X-XX-C

1 2 3 4 5

- Series : DS037
- Actuator Button : 00=Non-lever 01-lever 99=lever
- Termination : see chart(P/C/D/C1/D1)
- Operating Force : see chart
- Cover type : C

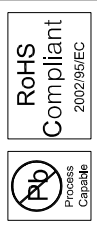
龙创中业电子（深圳）有限公司

Tolerance: ±0.2

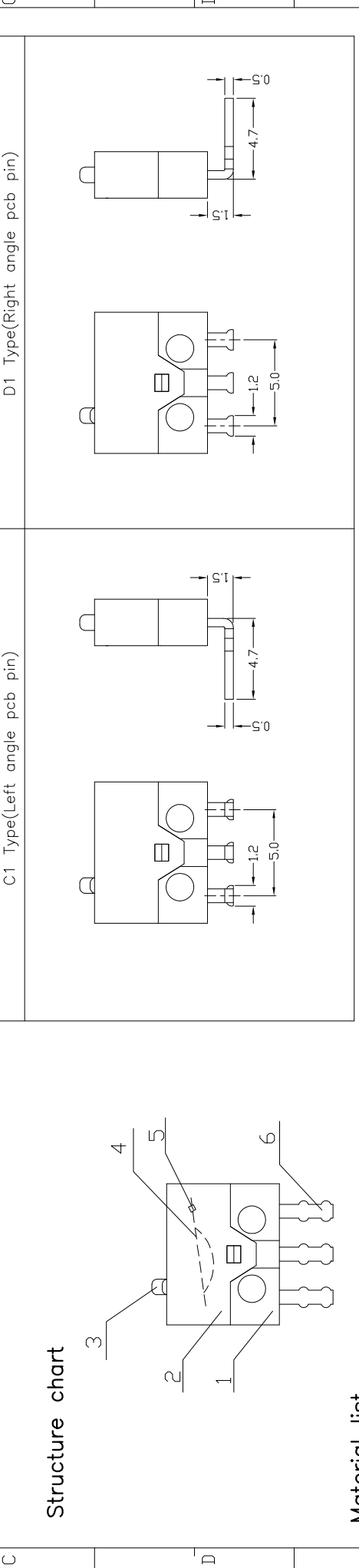
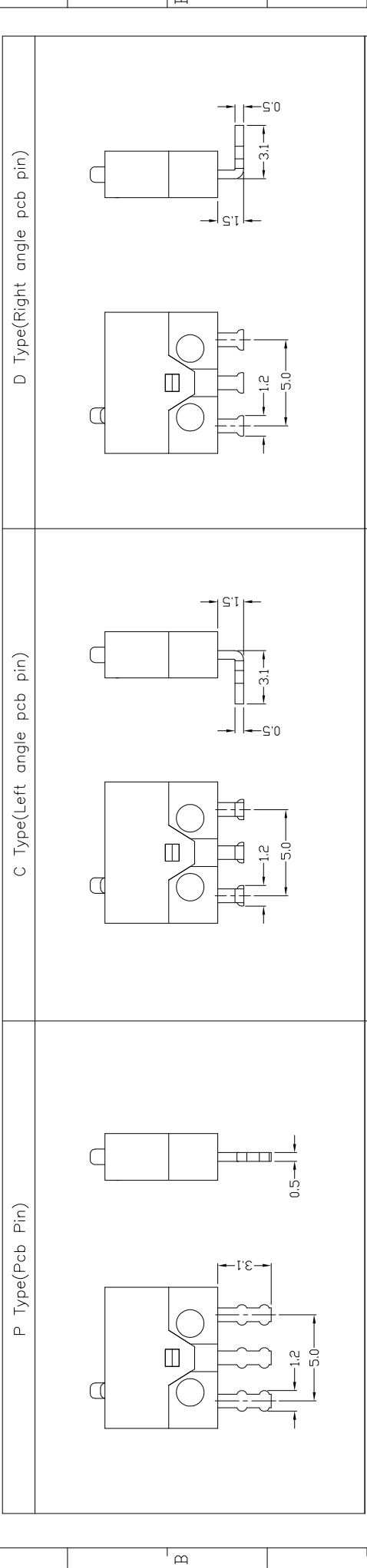
Tolerance: ±0.2	UNITS	mm
	MAT'L	SEE NOTE
	FINISH	SEE NOTE
	Q'TY	APP'D:
TITLE: 龙创中业电子（深圳）有限公司 Miniature MICRO SWITCH DS037 SERIES DR: Rocky 2017/7/19 CHK'D: Rocky 2017/7/19 APP'D:		
PART NO.: DS037-01P-30-C DWG NO.: ATD-01X-30-C SCALE: 1:1 SHEET: 1/2 REV.: A CUSTOMER DRAWING		

THESE DRAWINGS AND SPECIFICATIONS ARE THE PROPERTY OF ACCURATE INNOTECH INC AND SHALL NOT BE REPRODUCED, COPIED OR USED IN ANY MANNER WITHOUT THE WRITTEN CONSENT OF ACCURATE INNOTECH INC.

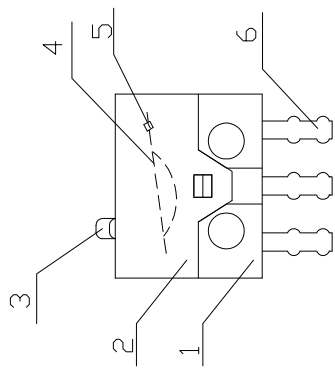
REV.	ECN.	ND.	APP'D.



Terminal Type



Structure chart



Material list

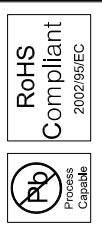
8	7	6	5	4	3	2	1
Terminal	C2680	Contact	Silver alloy	Spring Plate	C1720	Button	Nylon
Case	Nylon	Base	Nylon	MATERIAL	FINISHING	Q/TY	14
NO.	PARTS	Q/TY	FINISHING	14	15	17	17

龙创中业电子(深圳)有限公司

TITLE:	Miniature MICRO SWITCH DS037 SERIES
DR:	Rocky 2017/7/19
CHKD:	Rocky 2017/7/19
APPD:	
PART NO.:	DS037-00X-90
DWG NO.:	ATD-00X-90
SCALE:	1:1
SHEET:	2/2
REV.:	A
CUSTOMER DRAWING:	

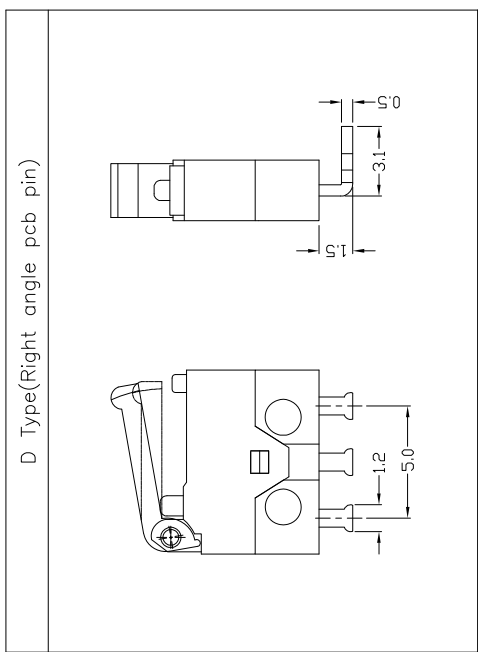
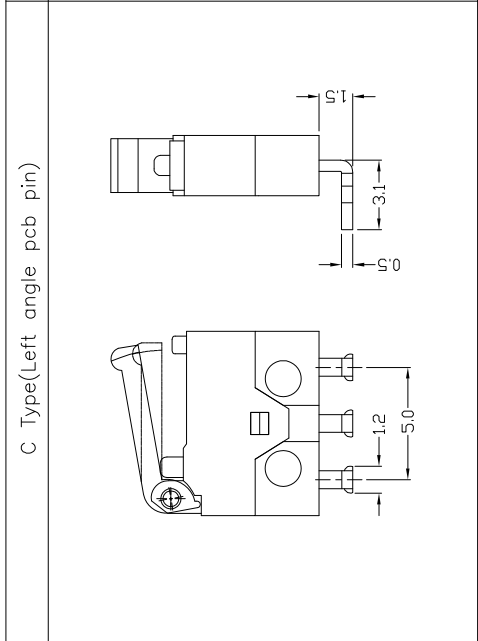
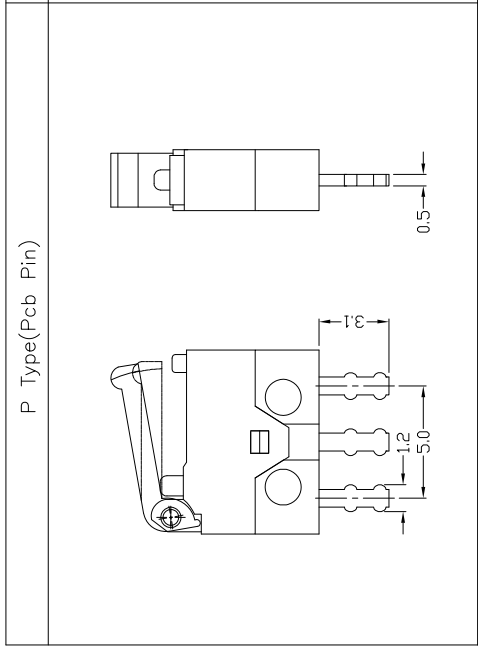
THESE DRAWINGS AND SPECIFICATIONS ARE THE PROPERTY OF ACCURATE INNOTECH INC AND SHALL REMAIN THE PROPERTY OF ACCURATE INNOTECH INC. NO PARTS SHALL BE REPRODUCED, COPIED OR TRANSMITTED IN ANY MANNER WITHOUT PRIOR WRITTEN CONSENT OF ACCURATE INNOTECH INC.

UNITS	mm
MAT'L	
SEE NOTE	
FINISH	
SEE NOTE	
Q/TY	

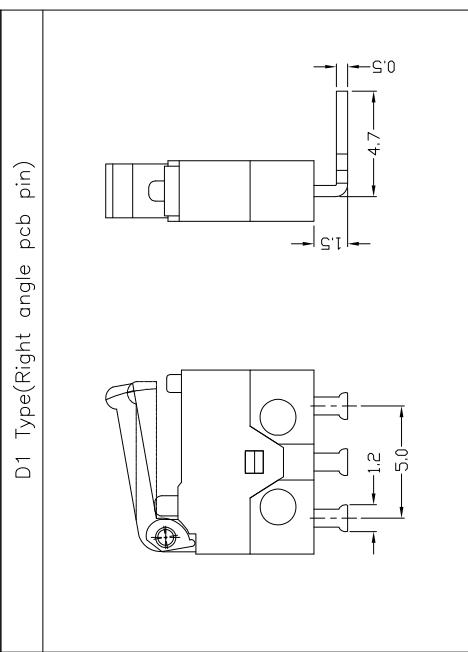
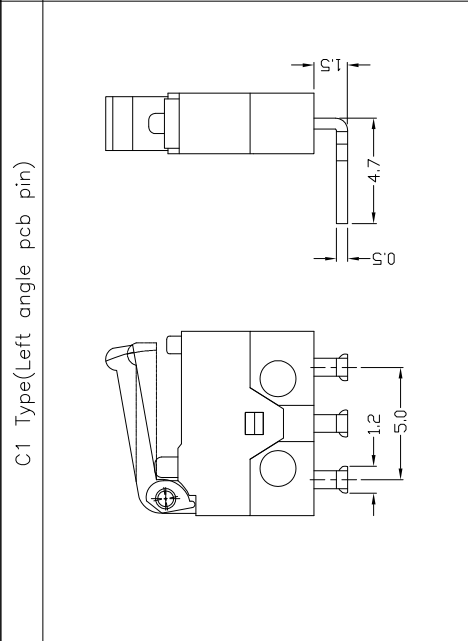
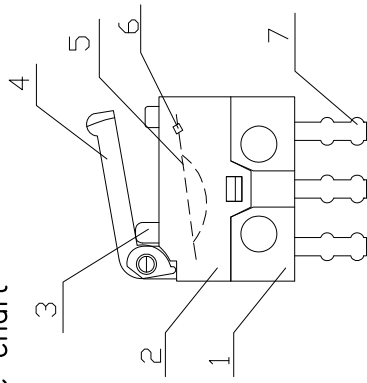


REV.	ECN.	NO.	APPD.

Terminal Type



Structure chart



Material list

NO.	TERMINAL	MATERIAL	Q'TY	FINISHING
8	Terminal	C2680	3	
7	Contact	Silver alloy	1	
6	Spring Plate	C1720	1	
5	Lever	Nylon	1	
4	Button	Nylon	1	
3	Case	Nylon	1	
2	Base	Nylon	1	
1	PARTS	MATERIAL	Q'TY	FINISHING

UNITS	mm
MAT'L	SEE NOTE
FINISH	SEE NOTE
Q'TY	

Tolerance: ±0.2

THESE DRAWINGS AND SPECIFICATIONS ARE THE PROPERTY OF ROCKY MICRO SWITCH INC. AND SHALL NOT BE REPRODUCED OR USED IN ANY MANNER WITHOUT THE PRIOR WRITTEN CONSENT OF ROCKY MICRO SWITCH INC.

龙创中业电子(深圳)有限公司

TITLE:	Miniature MICRO SWITCH DS037 SERIES	PART NO.:	DS037-01X-30-C
DR:	Rocky 2017/7/19	DWG NO.:	ATD-01X-30-C
CHKD:	Rocky 2017/7/19	SCALE	SHEET REV.
APPD:		1:1	2/2 A