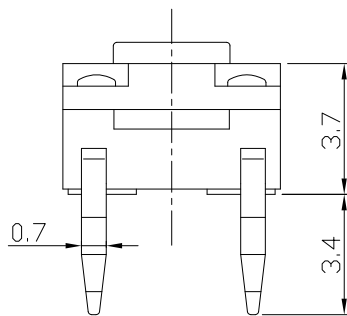
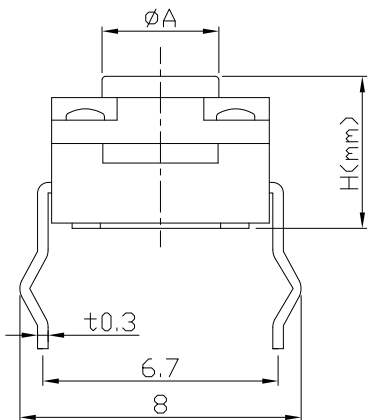




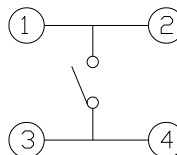
RoHS
Compliant
2002/95/EC

REV.	ECN. NO.	APPD.

DIMENSIONS



CIRCUIT DIAGRAM



PRODUCT IMAGE



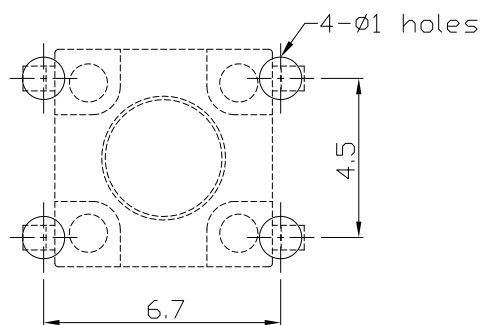
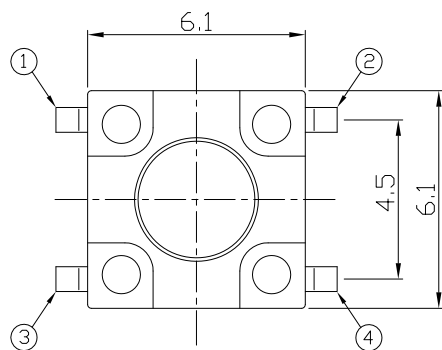
MODEL CODE

AT-1141-

	H	ØA
-	4.3	3.4
A	4.5	3.4
B	4.8	3.4
C	5.0	3.3
D	5.5	3.3
E	6.0	3.3
F	6.5	3.3
G	7.0	3.3
H	7.5	3.4
I	8.0	3.4
J	8.5	3.4
K	9.0	3.3
L	9.5	3.3
M	10.0	3.3
N	10.5	3.3
O	11.0	3.3
P	11.5	3.0
Q	12.0	3.0

P.C.B MOUNTING PATTERN DIMENSION

The following soldering patterns are recommended for reflow soldering



ELECTRO-MECHANICAL CHARACTERISTICS

Refer to additional specifications

Rating	DC 12V 50mA
Contact Resistance	100mΩ Max.
Insulation Resistance	100MΩ(DC 500V / 1 min) Min.
Withstanding Voltage	250 VAC / min.
Travel	0.25 ± 0.1mm
Operating Force	260±50gf
Operating Life(cycles)	100,000

.X ±0.3 X. ±2' UNITS mm

MAT'L

SEE NOTE

FINISH

SEE NOTE

Q'TY

APPD:

THESE DRAWINGS AND SPECIFICATIONS ARE THE PROPERTY OF ACCURATE INNOTECH INC AND SHALL NOT BE REPRODUCED, COPIED OR USED IN ANY MANNER WITHOUT THE PRIOR WRITTEN CONSENT OF ACCURATE INNOTECH INC.



龙创中业电子(深圳)有限公司

TITLE:
TACT SWITCH / waterproof

PART NO.:
AT-1141 SERIES

DR: Ricky 2017/03/23
CHKD: Ricky 2017/03/23

DWG NO.:
ASI-1141

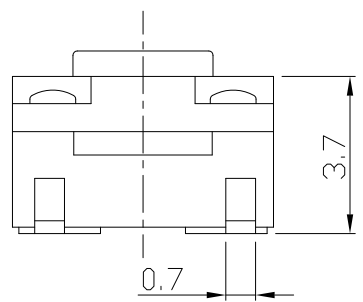
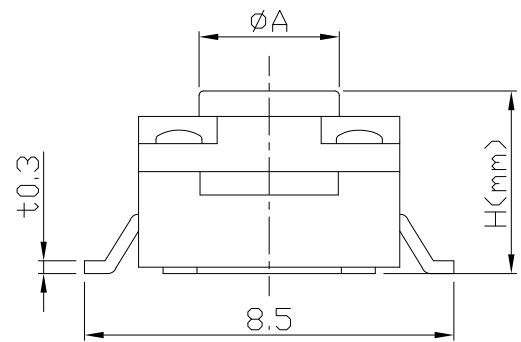
SCALE	SHEET	REV.	CUSTOMER DRAWING
1:1	1/1	A	



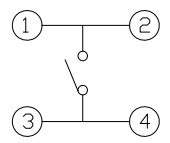
RoHS
Compliant
2002/95/EC

REV.	ECN.	NO.	APPD.

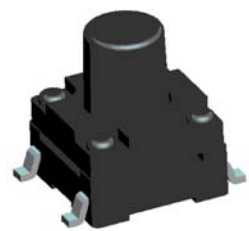
DIMENSIONS



CIRCUIT DIAGRAM



PRODUCT IMAGE



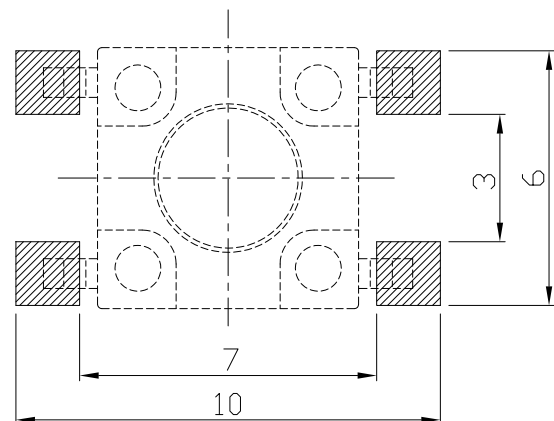
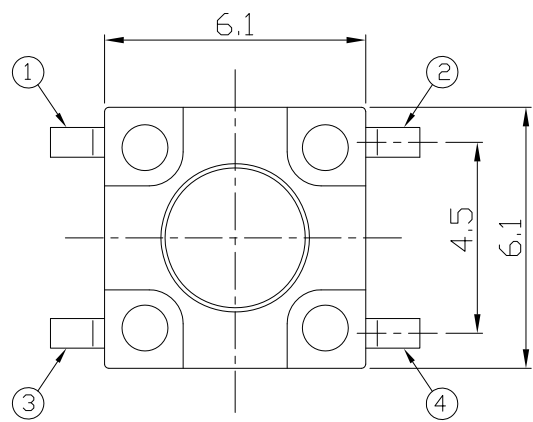
MODEL CODE

AT-1141W-

	H	ØA
-	4.3	3.4
A	4.5	3.4
B	4.8	3.4
C	5.0	3.3
D	5.5	3.3
E	6.0	3.3
F	6.5	3.3
G	7.0	3.3
H	7.5	3.3
I	8.0	3.3
J	8.5	3.3
K	9.0	3.3
L	9.5	3.3

P.C.B MOUNTING PATTERN DIMENSION

The following soldering patterns are recommended for reflow soldering



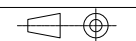
ELECTRO-MECHANICAL CHARACTERISTICS

Refer to additional specifications

Rating	DC 12V 50mA
Contact Resistance	100mΩ Max.
Insulation Resistance	100MΩ<DC 500V / 1 min> Min.
Withstanding Voltage	250 VAC / min.
Travel	0.25 ± 0.1mm
Operating Force	260±50gf
Operating Life(cycles)	100,000

.X ±0.3	X. ±2'	UNITS	mm
		MAT'L	
		SEE NOTE	
		FINISH	
		SEE NOTE	
		Q'TY	

THESE DRAWINGS AND SPECIFICATIONS ARE THE PROPERTY OF ACCURATE INNOTECH INC AND SHALL NOT BE REPRODUCED, COPIED OR USED IN ANY MANNER WITHOUT THE PRIOR WRITTEN CONSENT OF ACCURATE INNOTECH INC.



龙创中业电子（深圳）有限公司

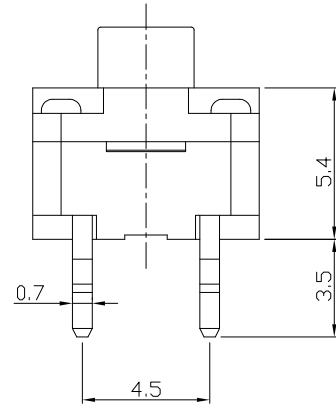
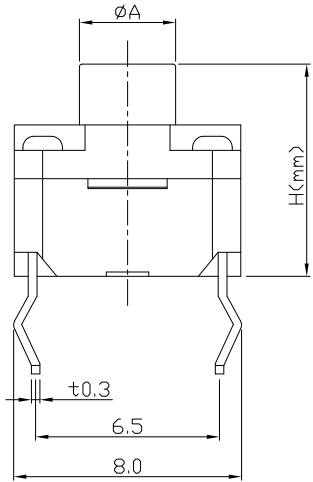
TITLE:	TACT SWITCH / waterproof	PART NO.:	AT-1141W SERIES
DR:	Ricky 2017/04/06	DWG NO.:	ASI-1141W
CHKD:	Ricky 2017/04/06	SCALE	1:1
APPD:		SHEET	1/1
		REV.	A
		CUSTOMER DRAWING	



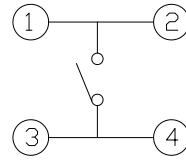
RoHS Compliant
2002/95/EC

REV.	ECN.	NO.	APPD.

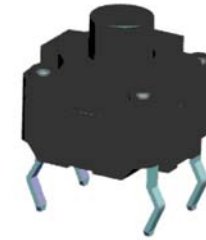
DIMENSIONS



CIRCUIT DIAGRAM



PRODUCT IMAGE



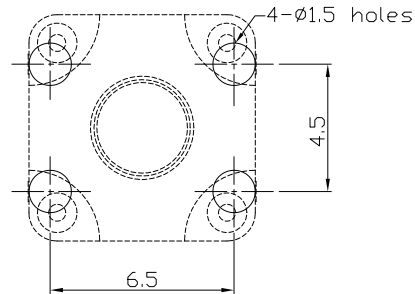
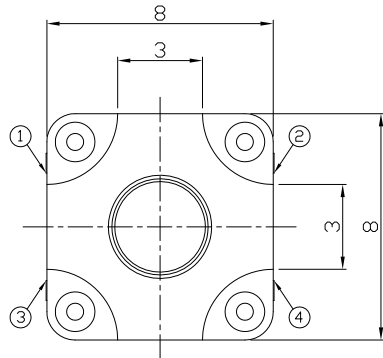
MODEL CODE

AT-1142-

	H	φA
-	6.5	3.5
A	7.0	3.5
B	7.5	3.5
C	8.0	3.5
D	8.5	3.3
E	9.0	3.3
F	9.5	3.3
G	10.0	3.3
H	10.5	3.3
I	11.0	3.3
J	11.5	3.0
K	12.0	3.0
L	12.5	3.0
M	13.0	3.0
N	13.5	3.0
Q	14.0	3.0
P	14.5	3.0
R	15.0	3.0
Q	15.0	3.0
S	16.0	3.0
T	16.5	3.0
U	17.0	3.0

P.C.B MOUNTING PATTERN DIMENSION

The following soldering patterns are recommended for reflow soldering



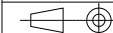
ELECTRO-MECHANICAL CHARACTERISTICS

Refer to additional specifications

Rating	DC 12V 50mA
Contact Resistance	100mΩ Max.
Insulation Resistance	100MΩ(DC 500V / 1 min) Min.
Withstanding Voltage	250 VAC / min.
Travel	0.25 ± 0.1mm
Operating Force	250±50gf
Operating Life(cycles)	100,000

.X ±0.3	X. ±2'	UNITS	mm
		MAT'L	
		SEE NOTE	
		FINISH	
		SEE NOTE	
		Q'TY	

THESE DRAWINGS AND SPECIFICATIONS ARE THE PROPERTY OF ACCURATE INNOTECH INC AND SHALL NOT BE REPRODUCED, COPIED OR USED IN ANY MANNER WITHOUT THE PRIOR WRITTEN CONSENT OF ACCURATE INNOTECH INC.



龙创中业电子(深圳)有限公司

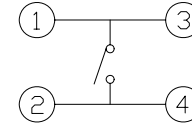
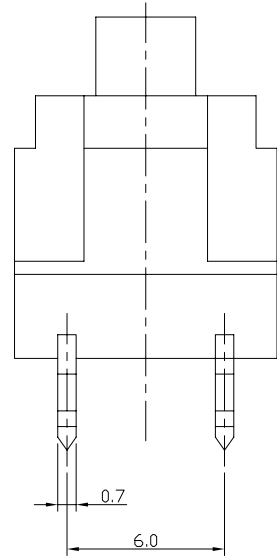
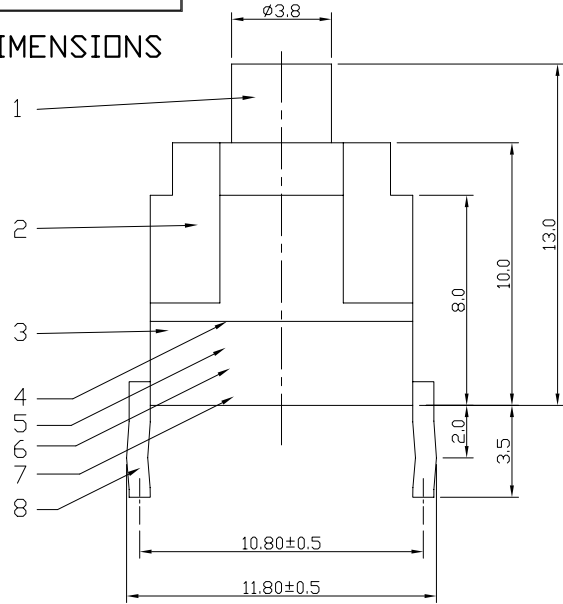
TITLE:	TACT SWITCH / waterproof	PART NO.:	AT-1142 SERIES
DR:	Ricky 2017/03/23	DWG NO.:	ASI-1142
CHKD:	Ricky 2017/03/23	SCALE	1:1
APPD:		SHEET	1/1
		REV.	A
		CUSTOMER DRAWING	

REV.	ECN.	NO.	APPD.

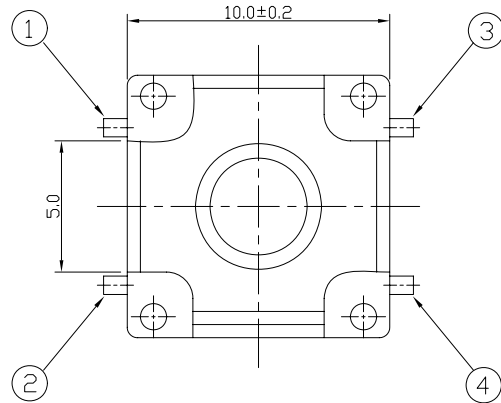


RoHS
Compliant
2002/95/EC

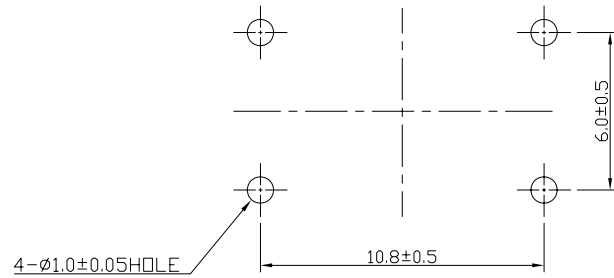
DIMENSIONS



CIRCUIT DIAGRAM



P.C.B MOUNTING PATTERN DIMENSION



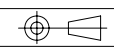
ELECTRO-MECHANICAL CHARACTERISTICS

Refer to additional specifications

RATING	DC12V 50mA	
CONTACT RESISTANCE	500mΩ MAX.	
TRAVEL	0.3 ^{+0.2} _{-0.1} mm	
OPERATING FORCE	160±50gf	250±70gf
OPERATING LIFE(cycles)	100,000	

8	TERMINAL	C2680-EH	1		.X ±0.3	X. ±2'	UNITS	mm
7	CASE	NYLON66	1				MAT'L	
6	CONTACT	SUS 301	1				SEE NOTE	
5	STEM	NYLON46	1				FINISH	
4	CAPTON TAPE	TAPE	1				SEE NOTE	
3	RUBBER	NBR	1				Q'TY	
2	COVER	NYLON66	1					
1	KNDB	NYLON66	1					
NO.	PARTS	MATERIAL	Q'TY	FINISHING				

THESE DRAWINGS AND SPECIFICATIONS ARE THE PROPERTY OF ACCURATE INNOTECH INC AND SHALL NOT BE REPRODUCED, COPIED OR USED IN ANY MANNER WITHOUT THE PRIOR WRITTEN CONSENT OF ACCURATE INNOTECH INC.



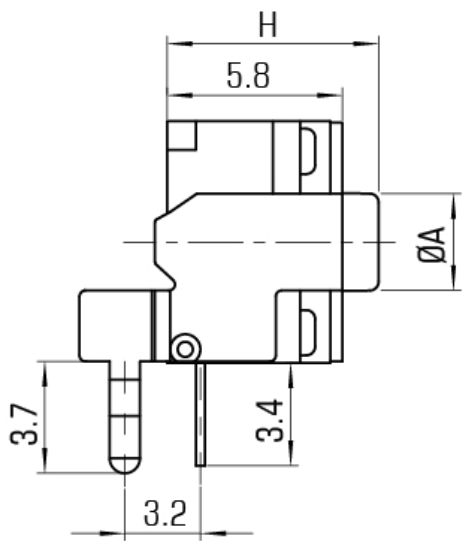
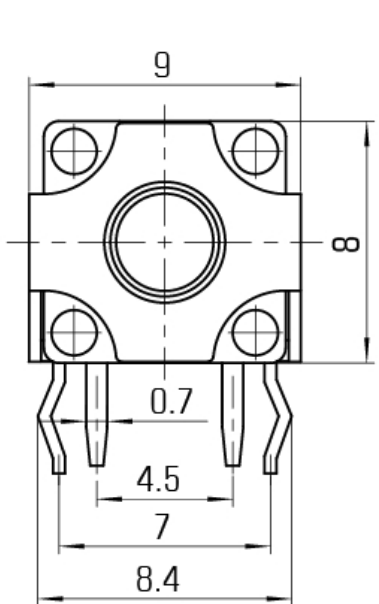
龙创中业电子 (深圳) 有限公司

TITLE:	TACT SWITCH/waterproof	PART NO.:	AT-1147 SERIES
DR:	Ricky 2015/04/30	DWG NO.:	AKS-1147
CHKD:	Ricky 2015/04/30	SCALE	1:1
APPD:		SHEET	1/1
		REV.	A
		CUSTOMER DRAWING	

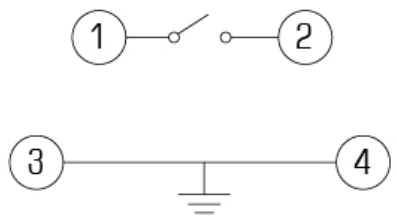


RoHS
Compliant
2002/95/EC

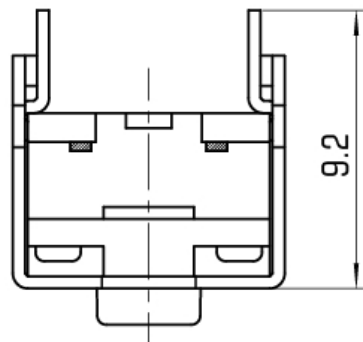
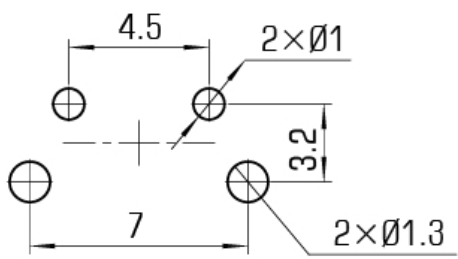
REV.	ECN.	NO.	APPD.



CIRCUIT DIAGRAM



P.C.B. LAYOUT

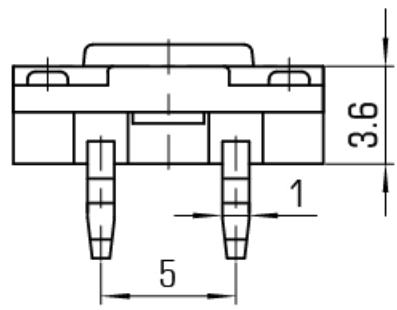
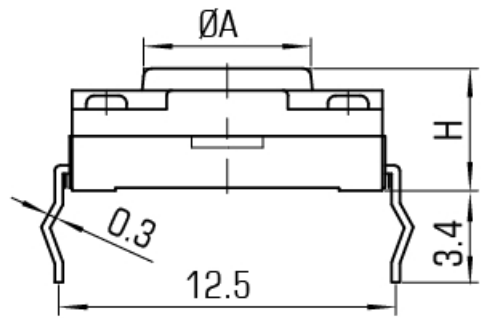


额定电负荷 50mA , DC12V
 接触电阻 50m 100m
 绝缘电阻 100M
 绝缘强度 AC250V for 1 Minute
 寿命 100,000
 行程 0.25mm ± 0.1mm
 外壳防护等级 IP67

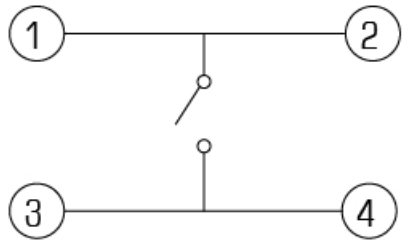
.X ±0.3	X. ±2'	UNITS mm	龙创中业电子（深圳）有限公司			
		MAT'L				
		SEE NOTE	DR:		DWG NO.: AT-1147AC	
		FINISH	CHKD:		SCALE SHEET REV.	
		SEE NOTE	APPD:		DRAWING	
		Q'TY				

REV.	ECN. NO.	APPD.

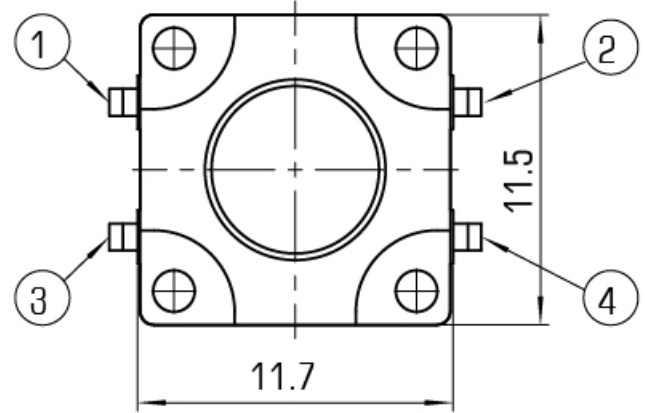
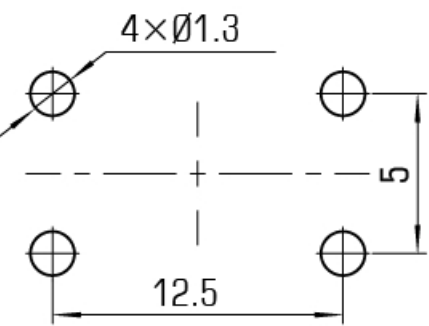

RoHS Compliant
 2002/95/EC
 Process Capable



CIRCUIT DIAGRAM



P.C.B. LAYOUT



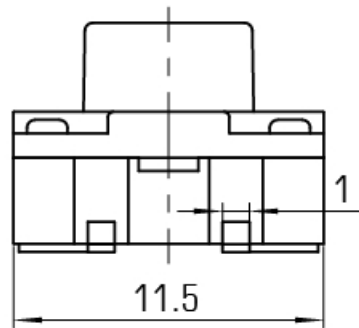
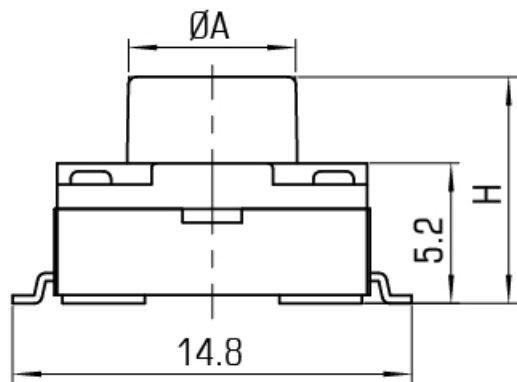
额定电负荷 50mA , DC12V
 接触电阻 50m 100m
 绝缘电阻 100M
 绝缘强度 AC250V for 1 Minute
 寿命 100,000
 行程 0.25mm ± 0.1mm
 外壳防护等级 IP67

.X ±0.3	X. ±2'	UNITS mm	龙创中业电子（深圳）有限公司			
		MAT'L				
		SEE NOTE	DR:		DWG NO.: AT-1150AD	
		FINISH SEE NOTE	CHKD:		SCALE	SHEET
		Q'TY	APPD:		REV.	DRAWING

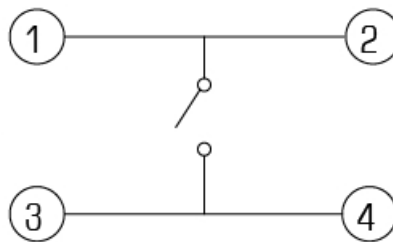


RoHS
Compliant
2002/95/EC

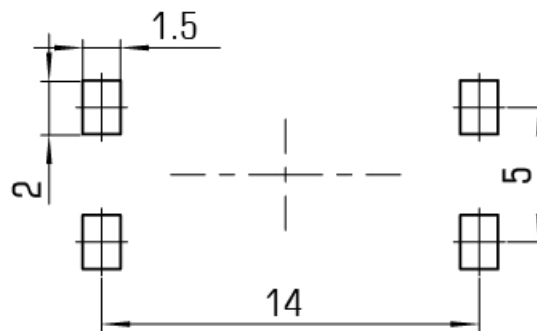
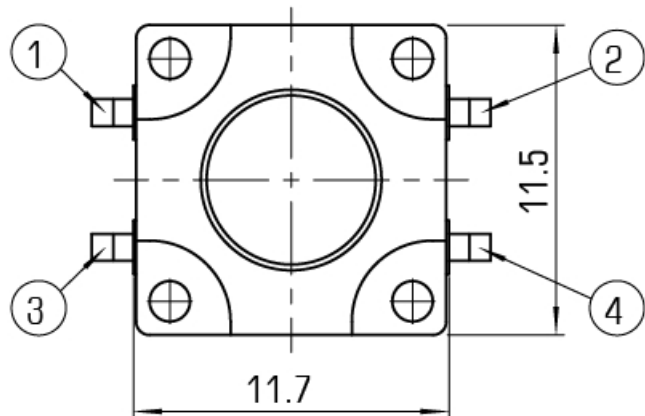
REV.	ECN.	NO.	APPD.



CIRCUIT DIAGRAM



P.C.B. LAYOUT



额定电负荷 50mA , DC12V
 接触电阻 50m 100m
 绝缘电阻 100M
 绝缘强度 AC250V for 1 Minute
 寿命 100,000
 行程 0.25mm ± 0.1mm
 外壳防护等级 IP67

.X ±0.3	X. ±2'	UNITS mm	龙创中业电子（深圳）有限公司			
		MAT'L				
		FINISH	DR:		DWG NO.: AT-1151AD	
		Q'TY	CHKD:		SCALE	SHEET
			APPD:		REV.	DRAWING