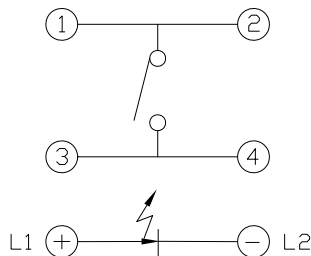
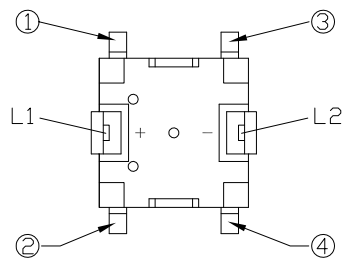
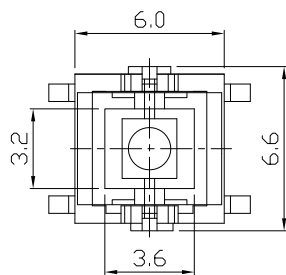




RoHS  
Compliant  
2002/95/EC

REV.	ECN.	NO.	APPD.

**DIMENSIONS**

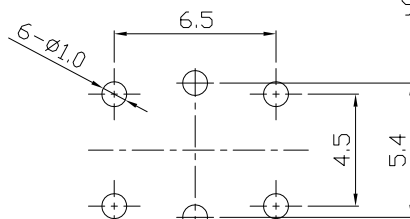
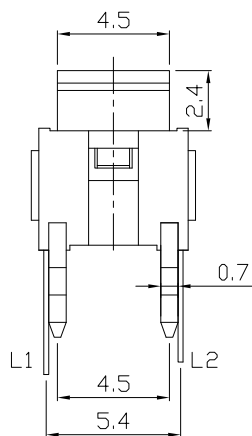
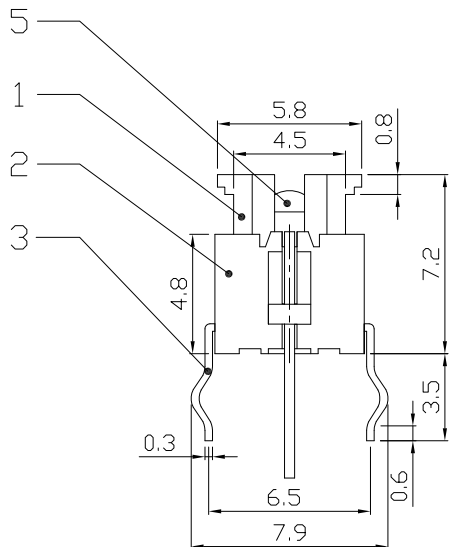


CIRCUIT DIAGRAM

**MODEL CODE**

ATI-001-DW16-1DN\*\*-BS  
1 234 5678 9

- 1.Series Number
- 2.Terminal Type: D=Dip
- 3.Stem Color: W=White B=Black
- 4.Operating Force: 16=160gf 25=250gf
- 5.Circuit
- 6.LED Type: D=Dip
- 7.LED Brightness: N=Normal S=Super Bright H=Super High Bright
- 8.LED Color: 01=Red 02=Yellow 03=Green  
04=Blue 05=White 06=Pure Green  
08=Amber 09=Blue Green  
0A=Pink 0B=Purple
- 9.Packing Type: BS=Blister Packing



P.C.B LAYOUT  
TOP VIEW

**ELECTRO-MECHANICAL CHARACTERISTICS**

Refer to additional specifications

RATING	DC 12V 50mA	
CONTACT RESISTANCE	100mΩ MAX.	
TRAVEL	0.25±0.1mm	
OPERATING FORCE	160±50gf	250±50gf
OPERATING LIFE(cycles)	100,000	

8					WITHIN 1.5mm:±0.1mm	UNITS mm
7					OVER 1.5mm:±0.2mm	MAT'L
6						SEE NOTE
5	LED		1			FINISH
4	CONTACT	PBS C5210R-EH	1	Ag CLAD		SEE NOTE
3	TERMINAL	BRASS STRIP	4	Ag PLATED		Q'TY
2	CASE	NYLON+F.G	1	BLACK	THESE DRAWINGS AND SPECIFICATIONS ARE THE PROPERTY OF ACCURATE INNOTECH INC. AND SHALL NOT BE REPRODUCED, COPIED OR USED IN ANY MANNER WITHOUT THE PRIOR WRITTEN CONSENT OF ACCURATE INNOTECH INC.	
1	KNOB	NYLON+F.G	1	WHITE/BLACK		
NO.	PARTS	MATERIAL	Q'TY	FINISHING		

**龙创中业电子（深圳）有限公司**

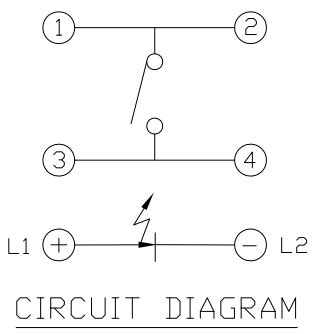
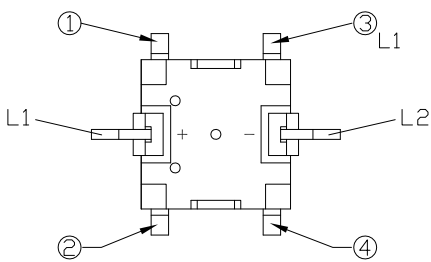
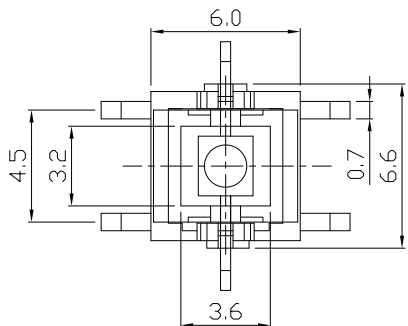
TITLE:	ILLUMINATED TACT SWITCH	PART NO.:	ATI-001-D		
DR:	Ricky 2016/10/03	DWG NO.:	AZJ-001-D		
CHKD:	Ricky 2016/10/03	SCALE	4:1	SHEET	1/1
APPD:		REV.	A	CUSTOMER	DRAWING



RoHS Compliant  
2002/95/EC

REV.	ECN.	NO.	APPD.

DIMENSIONS

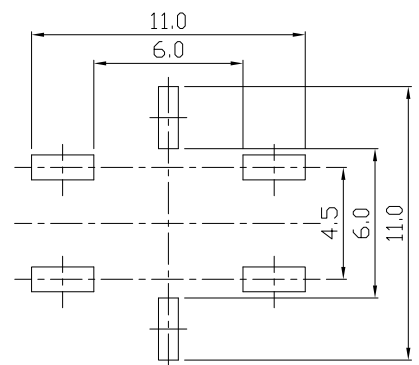
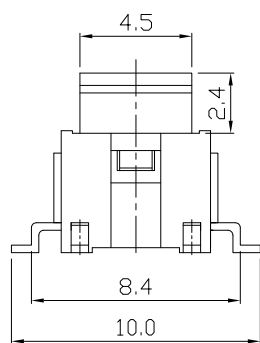
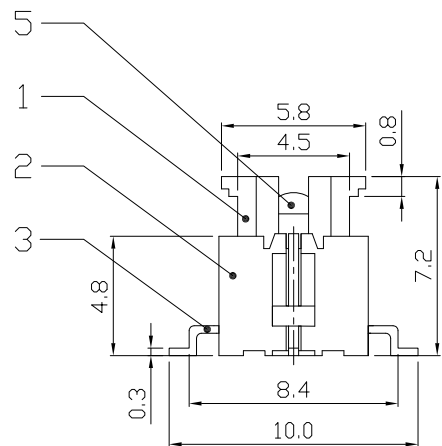


CIRCUIT DIAGRAM

MODEL CODE

ATI-001-MW16-1MN\*\*-BS  
1 234 5678 9

- 1.Series Number
- 2.Terminal Type: M=SMT
- 3.Stem Color: W=White B=Black
- 4.Operating Force: 16=160gf 25=250gf
- 5.Circuit
- 6.LED Type: M=SMT
- 7.LED Brightness: N=Normal S=Super Bright H=Super High Bright
- 8.LED Color: 01=Red 02=Yellow 03=Green 04=Blue 05=White 06=Pure Green 08=Amber 09=Blue Green 0A=Pink 0B=Purple
- 9.Packing Type: BS=Blister Packing TR=Tape Reel Packing



P.C.B LAYOUT  
TOP VIEW

ELECTRO-MECHANICAL CHARACTERISTICS  
Refer to additional specifications

RATING	DC 12V 50mA	
CONTACT RESISTANCE	100mΩ MAX.	
TRAVEL	0.25±0.1mm	
OPERATING FORCE	160±50gf	250±50gf
OPERATING LIFE(cycles)	100,000	

8				
7				
6				
5	LED		1	
4	CONTACT	PBS C5210R-EH	1	Ag CLAD
3	TERMINAL	BRASS STRIP	4	Ag PLATED
2	CASE	NYLON+F.G	1	BLACK
1	KNOB	NYLON+F.G	1	WHITE/BLACK
NO.	PARTS	MATERIAL	Q'TY	FINISHING

WITHIN 1.5mm: ±0.1mm  
OVER 1.5mm: ±0.2mm

THESE DRAWINGS AND SPECIFICATIONS ARE THE PROPERTY OF ACCURATE INNOTECH INC AND SHALL NOT BE REPRODUCED, COPIED OR USED IN ANY MANNER WITHOUT THE PRIOR WRITTEN CONSENT OF ACCURATE INNOTECH INC.

UNITS mm

MAT'L SEE NOTE

FINISH SEE NOTE

Q'TY

龙创中业电子(深圳)有限公司

TITLE: ILLUMINATED TACT SWITCH

DR: Ricky 2016/10/04

CHKD: Ricky 2016/10/04

APPD:

PART NO.: ATI-001-M

DWG NO.: AZJ-001-M

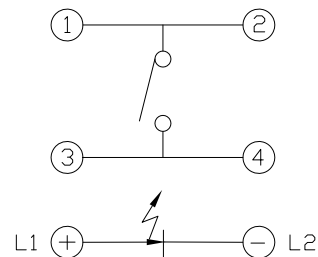
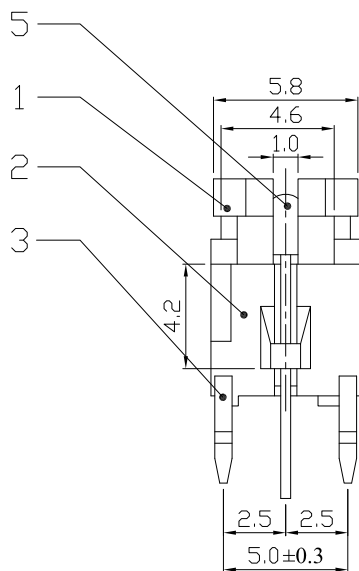
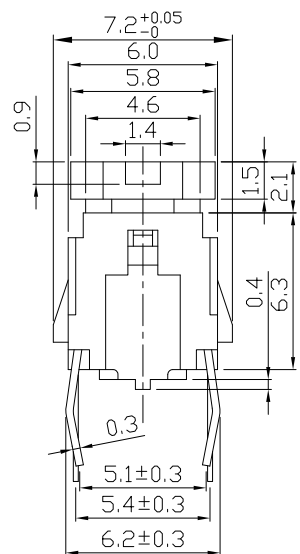
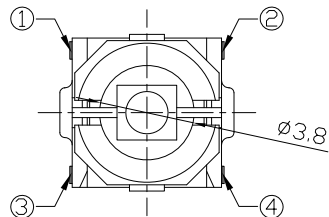
SCALE	SHEET	REV.	CUSTOMER DRAWING
4:1	1/1	A	



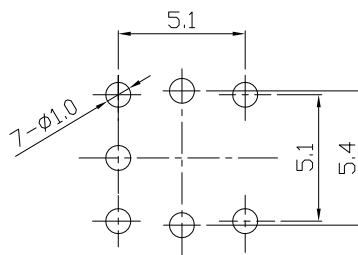
RoHS  
Compliant  
2002/95/EC

REV.	ECN.	NO.	APPD.

**DIMENSIONS**



CIRCUIT DIAGRAM



P.C.B LAYOUT  
TOP VIEW

**MODEL CODE**

ATI-002-DW16-1DN\*\*-BS  
1 2 3 4 5 6 7 8 9

- 1.Series Number
- 2.Teminal Type: D=Dip
- 3.Stem Color: W=White B=Black
- 4.Operating Force: 16=160gf 25=250gf
- 5.Circuit
- 6.LED Type: D=Dip
- 7.LED Brightness: N=Normal S=Super Bright  
H=Super High Bright
- 8.LED Color: 01=Red 02=Yellow 03=Green  
04=Blue 05=White 06=Pure Green  
08=Amber 09=Blue Green  
0A=Pink 0B=Purple
- 9.Packing Type: BS=Blister Packing

**ELECTRO-MECHANICAL CHARACTERISTICS**

Refer to additional specifications

RATING	DC 12V 50mA	
CONTACT RESISTANCE	100mΩ MAX.	
TRAVEL	0.25±0.1mm	
OPERATING FORCE	160±50gf	250±50gf
OPERATING LIFE(cycles)	100,000	

8				
7				
6				
5	LED		1	
4	CONTACT	PBS C5210R-EH	1	Ag CLAD
3	TERMINAL	BRASS STRIP	4	Ag PLATED
2	CASE	NYLON+F.G	1	BLACK
1	KNOB	NYLON+F.G	1	NATURAL/BLACK
NO.	PARTS	MATERIAL	Q'TY	FINISHING

WITHIN 1.5mm: ±0.1mm  
OVER 1.5mm: ±0.2mm

UNITS mm

MAT'L

SEE NOTE

FINISH

SEE NOTE

Q'TY

THESE DRAWINGS AND SPECIFICATIONS ARE THE PROPERTY OF ACCURATE INNOVATECH INC AND SHALL NOT BE REPRODUCED, COPIED OR USED IN ANY MANNER WITHOUT THE PRIOR WRITTEN CONSENT OF ACCURATE INNOVATECH INC.

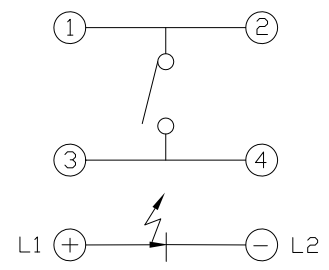
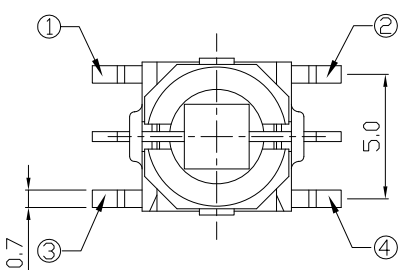
**龙创中业电子(深圳)有限公司**

TITLE:	ILLUMINATED TACT SWITCH	PART NO.:	ATI-002-D		
DR:	Ricky 2016/10/04	DWG NO.:	AZJ-002-D		
CHKD:	Ricky 2016/10/04	SCALE	SHEET	REV.	CUSTOMER DRAWING
APPD:		4:1	1/1	A	



REV.	ECN. NO.	APPD.

**DIMENSIONS**



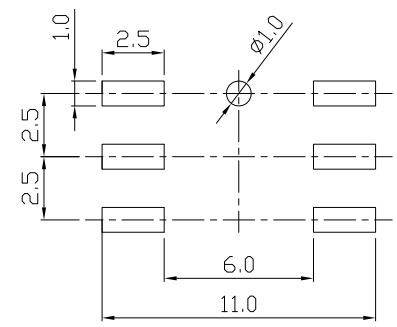
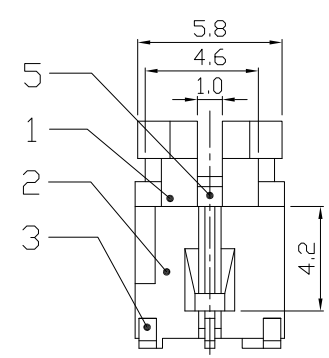
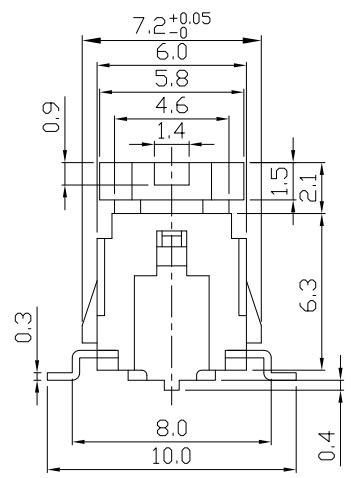
CIRCUIT DIAGRAM

**MODEL CODE**

ATI-002-MW16-1MN\*\*-BS  
 1      2 3 4 5 6 7 8 9

- 1.Series Number
- 2.Terminal Type: M=SMT
- 3.Stem Color: W=White B=Black
- 4.Operating Force: 16=160gf 25=250gf
- 5.Circuit
- 6.LED Type: M=SMT
- 7.LED Brightness: N=Normal S=Super Bright  
 H=Super High Bright
- 8.LED Color: 01=Red 02=Yellow 03=Green  
 04=Blue 05=White 06=Pure Green  
 08=Amber 09=Blue Green  
 0A=Pink 0B=Purple
- 9.Packing Type: BS=Blister Packing  
 TR=Tape Reel Packing

C



P.C.B LAYOUT  
TOP VIEW

**ELECTRO-MECHANICAL CHARACTERISTICS**

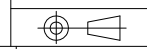
Refer to additional specifications

RATING	DC 12V 50mA	
CONTACT RESISTANCE	100mΩ MAX.	
TRAVEL	0.25±0.1mm	
OPERATING FORCE	160±50gf	250±50gf
OPERATING LIFE(cycles)	100,000	

E

8					WITHIN 1.5mm:±0.1mm	UNITS mm
7					OVER 1.5mm:±0.2mm	MAT'L
6						SEE NOTE
5	LED		1			FINISH
4	CONTACT	PBS C5210R-EH	1	Ag CLAD		SEE NOTE
3	TERMINAL	BRASS STRIP	4	Ag PLATED		Q'TY
2	CASE	NYLON+F.G	1	BLACK		
1	KNOB	NYLON+F.G	1	NATURAL/BLACK		
NO.	PARTS	MATERIAL	Q'TY	FINISHING		

THESE DRAWINGS AND SPECIFICATIONS ARE THE PROPERTY OF ACCURATE INDTECH INC AND SHALL NOT BE REPRODUCED, COPIED OR USED IN ANY MANNER WITHOUT THE PRIOR WRITTEN CONSENT OF ACCURATE INDTECH INC.



**龙创中业电子（深圳）有限公司**

TITLE:	ILLUMINATED TACT SWITCH		PART NO.:	ATI-002-M	
DR:	Ricky 2016/10/04		DWG NO.:	AZJ-002-M	
CHKD:	Ricky 2016/10/04		SCALE	SHEET	REV.
APPD:	4:1	1/1	A	CUSTOMER DRAWING	

1

2

3

4

5

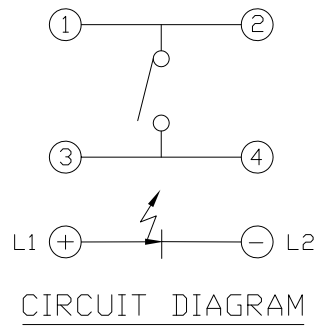
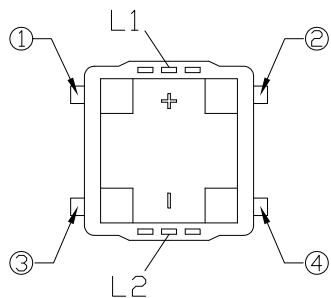
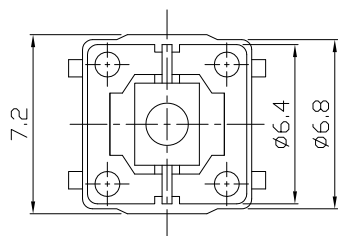
6

7



REV.	ECN.	NO.	APPD.

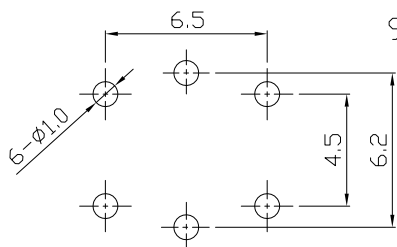
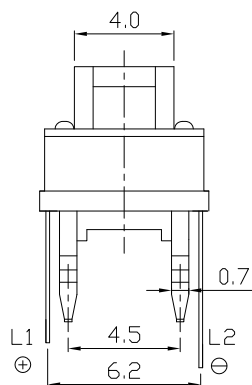
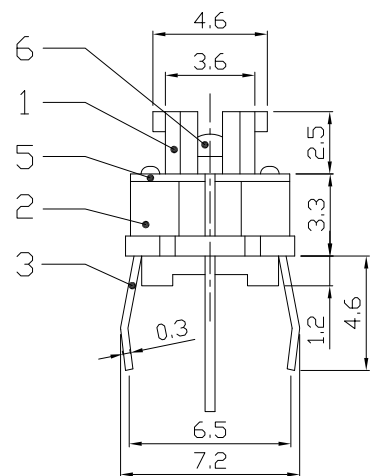
**DIMENSIONS**



**MODEL CODE**

ATI-004-DW16-1DN\*\*-BS  
1 2 3 4 5 6 7 8 9

- 1. Series Number
- 2. Terminal Type: D=Dip
- 3. Stem Color: W=White B=Black
- 4. Operating Force: 16=160gf 25=250gf
- 5. Circuit
- 6. LED Type: D=Dip
- 7. LED Brightness: N=Normal S=Super Bright H=Super High Bright
- 8. LED Color: 01=Red 02=Yellow 03=Green 04=Blue 05=White 06=Pure Green 08=Amber 09=Blue Green 0A=Pink 0B=Purple
- 9. Packing Type: BS=Blister Packing



**ELECTRO-MECHANICAL CHARACTERISTICS**

Refer to additional specifications

RATING	DC 12V 50mA	
CONTACT RESISTANCE	100mΩ MAX.	
TRAVEL	0.25±0.1mm	
OPERATING FORCE	160±50gf	250±50gf
OPERATING LIFE(cycles)	100,000	

8				
7				
6	LED		1	
5	COVER	PET	1	NATURAL
4	CONTACT	PBS C5210R-EH	1	Ag CLAD
3	TERMINAL	BRASS STRIP	4	Ag PLATED
2	CASE	NYLON+F.G	1	BLACK
1	KNOB	NYLON+F.G	1	NATURAL/BLACK
NO.	PARTS	MATERIAL	Q'TY	FINISHING

WITHIN 1.5mm: ±0.1mm  
OVER 1.5mm: ±0.2mm

UNITS mm

MAT'L SEE NOTE

FINISH SEE NOTE

Q'TY

THESE DRAWINGS AND SPECIFICATIONS ARE THE PROPERTY OF ACCURATE INNGTECH INC AND SHALL NOT BE REPRODUCED, COPIED OR USED IN ANY MANNER WITHOUT THE PRIOR WRITTEN CONSENT OF ACCURATE INNGTECH INC.

**龙创中业电子(深圳)有限公司**

TITLE: ILLUMINATED TACT SWITCH

PARI NO.: ATI-004-D

DR: Ricky 2016/10/05

DWG NO.: AZJ-004-D

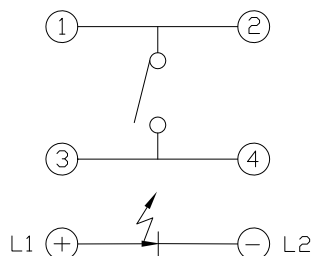
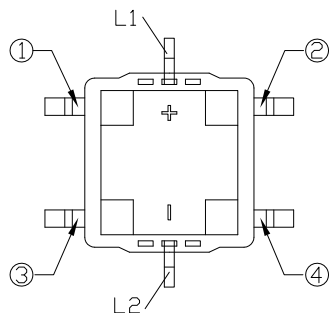
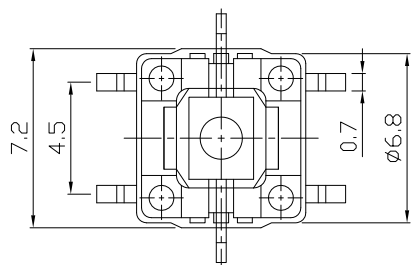
CHKD: Ricky 2016/10/05

SCALE: 4:1 SHEET: 1/1 REV.: A CUSTOMER DRAWING

REV.	ECN.	NO.	APPD.



**DIMENSIONS**

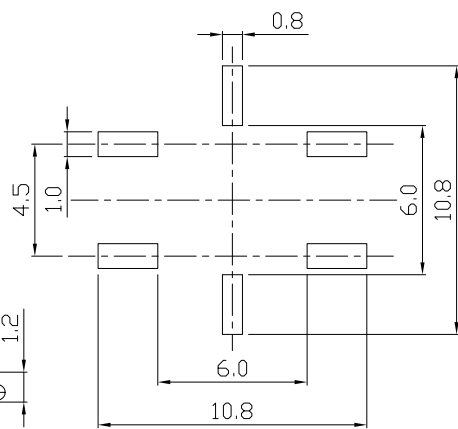
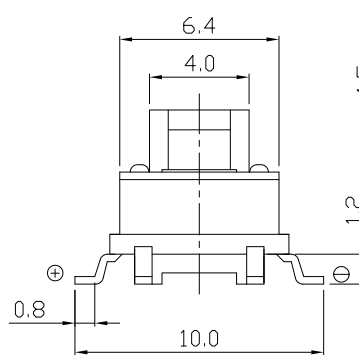
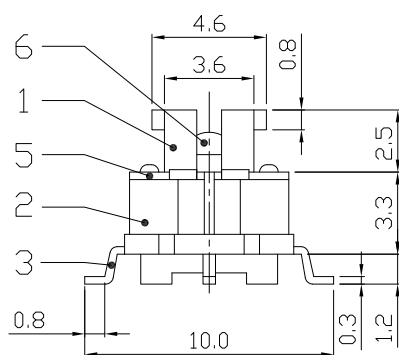


CIRCUIT DIAGRAM

**MODEL CODE**

ATI-004-MW16-1MN\*\*-BS  
 1 2 3 4 5 6 7 8 9

- 1.Series Number
- 2.Terminal Type: M=SMT
- 3.Stem Color: W=White B=Black
- 4.Operating Force: 16=160gf 25=250gf
- 5.Circuit
- 6.LED Type: M=SMT
- 7.LED Brightness: N=Normal S=Super Bright H=Super High Bright
- 8.LED Color: 01=Red 02=Yellow 03=Green 04=Blue 05=White 06=Pure Green 08=Amber 09=Blue Green 0A=Pink 0B=Purple
- 9.Packing Type: BS=Blister Packing TR=Tape Reel Packing



P.C.B LAYOUT  
TOP VIEW

**ELECTRO-MECHANICAL CHARACTERISTICS**

Refer to additional specifications

RATING	DC 12V 50mA	
CONTACT RESISTANCE	100mΩ MAX.	
TRAVEL	0.25±0.1mm	
OPERATING FORCE	160±50gf	250±50gf
OPERATING LIFE(cycles)	100,000	

8				
7				
6	LED		1	
5	COVER	PET	1	NATURAL
4	CONTACT	PBS C5210R-EH	1	Ag CLAD
3	TERMINAL	BRASS STRIP	4	Ag PLATED
2	CASE	NYLON+F.G	1	BLACK
1	KNOB	NYLON+F.G	1	NATURAL/BLACK
NO.	PARTS	MATERIAL	Q'TY	FINISHING

WITHIN 1.5mm: ±0.1mm  
 OVER 1.5mm: ±0.2mm

UNITS mm

MAT'L SEE NOTE

FINISH SEE NOTE

Q'TY

THESE DRAWINGS AND SPECIFICATIONS ARE THE PROPERTY OF ACCURATE INNOTECH INC AND SHALL NOT BE REPRODUCED, COPIED OR USED IN ANY MANNER WITHOUT THE PRIOR WRITTEN CONSENT OF ACCURATE INNOTECH INC.

**龙创中业电子(深圳)有限公司**

TITLE: ILLUMINATED TACT SWITCH

PART NO.: ATI-004-M

DR: Ricky 2016/10/05

DWG NO.: AZJ-004-M

CHKD: Ricky 2016/10/05

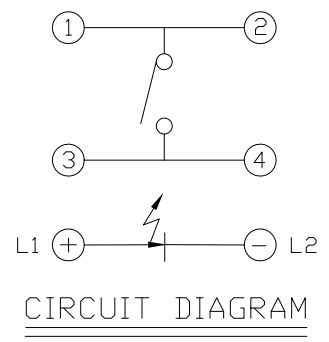
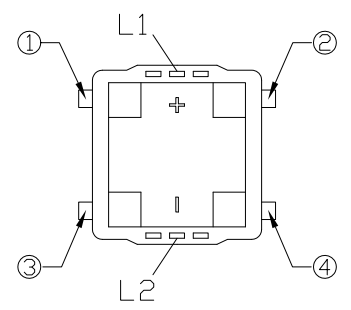
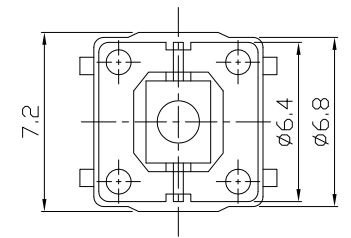
APPD:

SCALE: 4:1 SHEET: 1/1 REV.: A CUSTOMER DRAWING

REV.	ECN.	NO.	APPD.



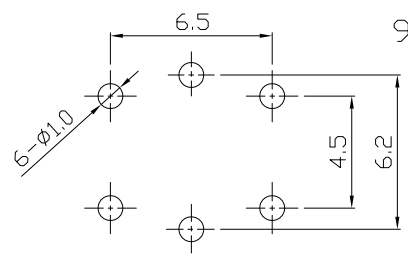
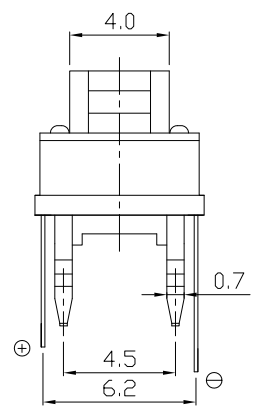
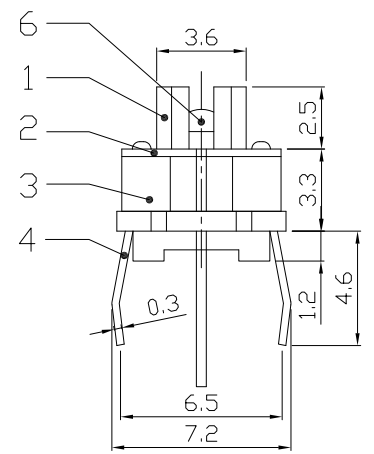
**DIMENSIONS**



**MODEL CODE**

ATI-005-DW16-1DN\*\* - BS  
 1 2 3 4 5 6 7 8 9

1. Series Number
2. Terminal Type: D=Dip
3. Stem Color: W=White B=Black
4. Operating Force: 16=160gf 25=250gf
5. Circuit
6. LED Type: D=Dip
7. LED Brightness: N=Normal S=Super Bright H=Super High Bright
8. LED Color: 01=Red 02=Yellow 03=Green 04=Blue 05=White 06=Pure Green 08=Amber 09=Blue Green 0A=Pink 0B=Purple
9. Packing Type: BS=Blister Packing



**ELECTRO-MECHANICAL CHARACTERISTICS**

Refer to additional specifications

RATING	DC 12V 50mA
CONTACT RESISTANCE	100mΩ MAX.
TRAVEL	0.25±0.1mm
OPERATING FORCE	160±50gf 250±50gf
OPERATING LIFE(cycles)	100,000

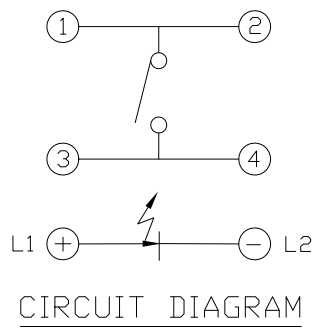
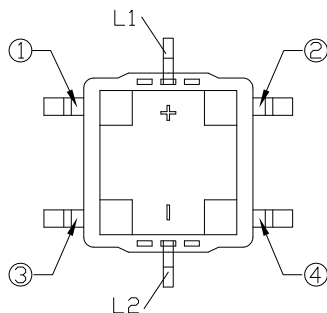
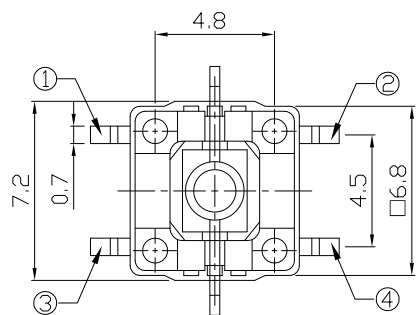
8				
7				
6	LED		1	
5	CONTACT	PBS C5210R-EH	1	Ag CLAD
4	TERMINAL	BRASS STRIP	4	Ag PLATED
3	CASE	NYLON+F.G	1	BLACK
2	COVER	PET	1	NATURAL
1	KNOB	NYLON+F.G	1	NATURAL/BLACK
NO.	PARTS	MATERIAL	Q'TY	FINISHING

WITHIN 1.5mm: ±0.1mm	UNITS mm	<b>龙创中业电子(深圳)有限公司</b>				
OVER 1.5mm: ±0.2mm	MAT'L					
SEE NOTE	FINISH	TITLE: ILLUMINATED TACT SWITCH	PART NO.: ATI-005-D			
SEE NOTE	Q'TY	DR: Ricky 2016/10/05	DWG NO.: AZJ-005-D			
THESE DRAWINGS AND SPECIFICATIONS ARE THE PROPERTY OF ACCURATE INNOTECH INC AND SHALL NOT BE REPRODUCED, COPIED OR USED IN ANY MANNER WITHOUT THE PRIOR WRITTEN CONSENT OF ACCURATE INNOTECH INC.	APPD:	CHKD: Ricky 2016/10/05	SCALE	SHEET	REV.	CUSTOMER DRAWING
			4:1	1/1	A	



REV.	ECN.	NO.	APPD.

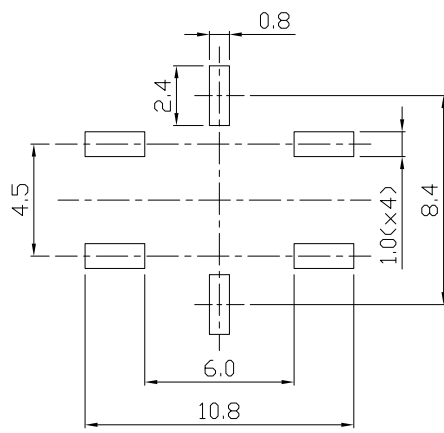
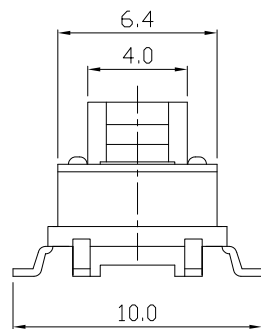
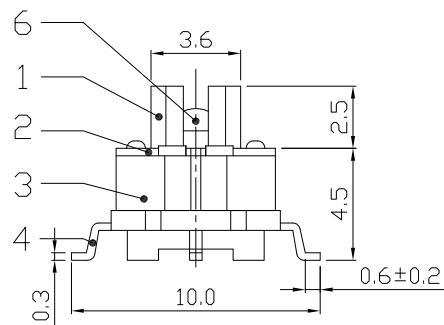
**DIMENSIONS**



**MODEL CODE**

ATI-005-MW16-1MN\*\*-BS  
 1 234 5678 9

1. Series Number
2. Terminal Type: M=SMT
3. Stem Color: W=White B=Black
4. Operating Force: 16=160gf 25=250gf
5. Circuit
6. LED Type: M=SMT
7. LED Brightness: N=Normal S=Super Bright H=Super High Bright
8. LED Color: 01=Red 02=Yellow 03=Green 04=Blue 05=White 06=Pure Green 08=Amber 09=Blue Green 0A=Pink 0B=Purple
9. Packing Type: BS=Blister Packing TR=Tape Reel Packing



**ELECTRO-MECHANICAL CHARACTERISTICS**

Refer to additional specifications

RATING	DC 12V 50mA	
CONTACT RESISTANCE	100Ω MAX.	
TRAVEL	0.25±0.1mm	
OPERATING FORCE	160±50gf	250±50gf
OPERATING LIFE(cycles)	100,000	

8					
7					
6	LED		1		
5	CONTACT	PBS C5210R-EH	1	Ag CLAD	
4	TERMINAL	BRASS STRIP	4	Ag PLATED	
3	CASE	NYLON+F.G	1	BLACK	
2	COVER	NYLON+F.G	1	NATURAL	
1	KNOB	NYLON+F.G	1	WHITE/BLACK	
NO.	PARTS	MATERIAL	Q'TY	FINISHING	

WITHIN 1.5mm: ±0.1mm  
 OVER 1.5mm: ±0.2mm

UNITS mm

MAT'L

SEE NOTE

FINISH

SEE NOTE

Q'TY

THESE DRAWINGS AND SPECIFICATIONS ARE THE PROPERTY OF ACCURATE INNOVATECH INC AND SHALL NOT BE REPRODUCED, COPIED OR USED IN ANY MANNER WITHOUT THE PRIOR WRITTEN CONSENT OF ACCURATE INNOVATECH INC.

**龙创中业电子(深圳)有限公司**

TITLE: ILLUMINATED TACT SWITCH

DR: Ricky 2016/10/05

CHKD: Ricky 2016/10/05

APPD:

PART NO.: ATI-005-M

DWG NO.: AZJ-005-M

SCALE	SHEET	REV.	CUSTOMER DRAWING
4:1	1/1	A	

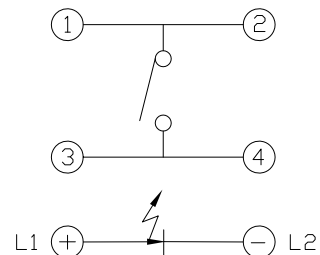
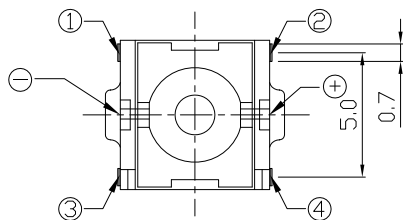




RoHS Compliant  
2002/95/EC

REV.	ECN. NO.	APPD.

**DIMENSIONS**

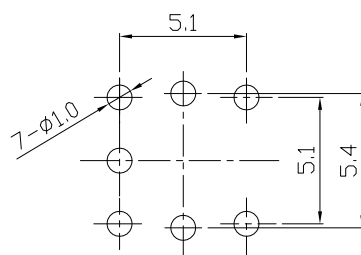
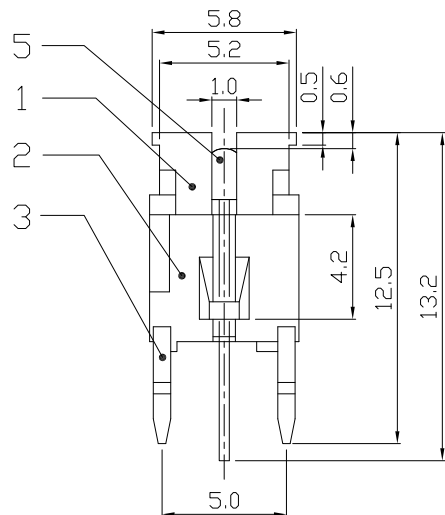
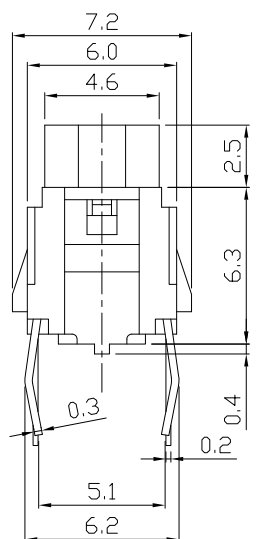


CIRCUIT DIAGRAM

**MODEL CODE**

ATI-006-DW16-1DN\*\*-BS  
1 2 3 4 5 6 7 8 9

- 1.Series Number
- 2.Terminal Type: D=Dip
- 3.Stem Color: W=White B=Black
- 4.Operating Force: 16=160gf 25=250gf
- 5.Circuit
- 6.LED Type: D=Dip
- 7.LED Brightness: N=Normal S=Super Bright H=Super High Bright
- 8.LED Color: 01=Red 02=Yellow 03=Green  
04=Blue 05=White 06=Pure Green  
08=Amber 09=Blue Green  
0A=Pink 0B=Purple
- 9.Packing Type: BS=Blister Packing



P.C.B LAYOUT  
TOP VIEW

**ELECTRO-MECHANICAL CHARACTERISTICS**

Refer to additional specifications

RATING	DC 12V 50mA	
CONTACT RESISTANCE	100mΩ MAX.	
TRAVEL	0.25±0.1mm	
OPERATING FORCE	160±50gf	250±50gf
OPERATING LIFE(cycles)	100,000	

8						
7						
6						
5	LED		1			
4	CONTACT	PBS C5210R-EH	1	Ag CLAD		
3	TERMINAL	BRASS STRIP	4	Ag PLATED		
2	CASE	NYLON+F.G	1	BLACK		
1	KNOB	NYLON+F.G	1	NATURAL/BLACK		
NO.	PARTS	MATERIAL	Q'TY	FINISHING		

WITHIN 1.5mm: ±0.1mm  
OVER 1.5mm: ±0.2mm

THESE DRAWINGS AND SPECIFICATIONS ARE THE PROPERTY OF ACCURATE INNOVATECH INC AND SHALL NOT BE REPRODUCED, COPIED OR USED IN ANY MANNER WITHOUT THE PRIOR WRITTEN CONSENT OF ACCURATE INNOVATECH INC.

UNITS	mm
MAT'L	SEE NOTE
FINISH	SEE NOTE
Q'TY	

**龙创中业电子(深圳)有限公司**

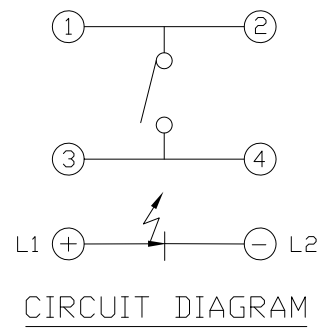
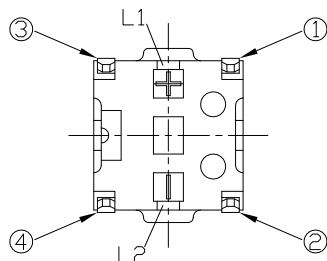
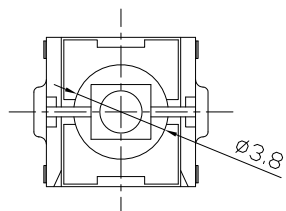
TITLE:	ILLUMINATED TACT SWITCH	PART NO.:	ATI-006-D		
DR:	Ricky 2016/10/05	DWG NO.:	AZJ-006-D		
CHKD:	Ricky 2016/10/05	SCALE	SHEET	REV.	CUSTOMER DRAWING
APPD:		4:1	1/1	A	



RoHS Compliant  
2002/95/EC

REV.	ECN.	NO.	APPD.

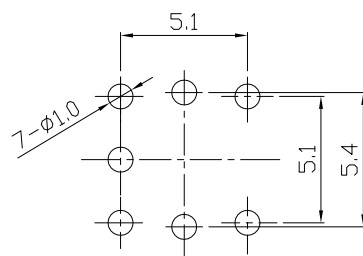
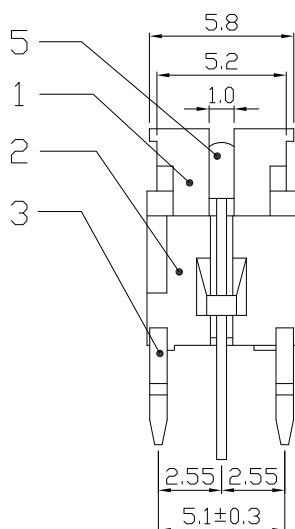
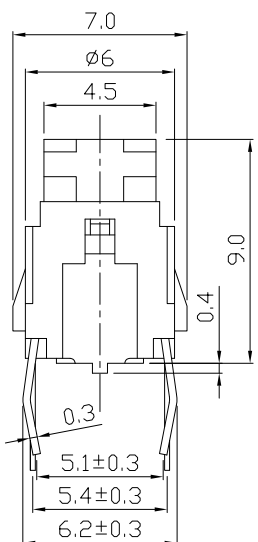
DIMENSIONS



MODEL CODE

ATI-007-DW16-1DN\*\*-BS  
1 2 3 4 5 6 7 8 9

- 1.Series Number
- 2.Terminal Type: D=Dip
- 3.Stem Color: W=White B=Black
- 4.Operating Force: 16=160gf 25=250gf
- 5.Circuit
- 6.LED Type: D=Dip
- 7.LED Brightness: N=Normal S=Super Bright  
H=Super High Bright
- 8.LED Color: 01=Red 02=Yellow 03=Green  
04=Blue 05=White 06=Pure Green  
08=Amber 09=Blue Green  
0A=Pink 0B=Purple
- 9.Packing Type: BS=Blister Packing



P.C.B LAYOUT  
TOP VIEW

ELECTRO-MECHANICAL CHARACTERISTICS

Refer to additional specifications

RATING	DC 12V 50mA	
CONTACT RESISTANCE	100mΩ MAX.	
TRAVEL	0.25±0.1mm	
OPERATING FORCE	160±50gf	250±50gf
OPERATING LIFE(cycles)	100,000	

8				
7				
6				
5	LED		1	
4	CONTACT	PBS C5210R-EH	1	Ag CLAD
3	TERMINAL	BRASS STRIP	4	Ag PLATED
2	CASE	NYLON+F.G	1	BLACK
1	KNOB	NYLON+F.G	1	NATURAL/BLACK
NO.	PARTS	MATERIAL	Q'TY	FINISHING

WITHIN 1.5mm: ±0.1mm	UNITS mm
OVER 1.5mm: ±0.2mm	MAT'L
	SEE NOTE
	FINISH
	SEE NOTE
	Q'TY
	APPD:

龙创中业电子(深圳)有限公司

TITLE:	ILLUMINATED TACT SWITCH	PART NO.:	ATI-007-D
DR:	Ricky 2016/10/06	DWG NO.:	AZJ-007-D
CHKD:	Ricky 2016/10/06	SCALE	4:1
APPD:		SHEET	1/1
		REV.	A
		CUSTOMER DRAWING	

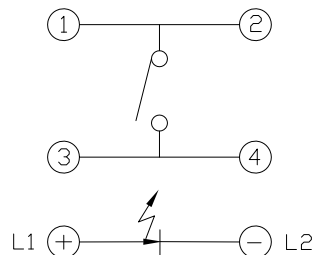
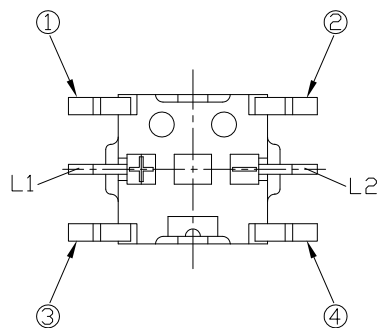
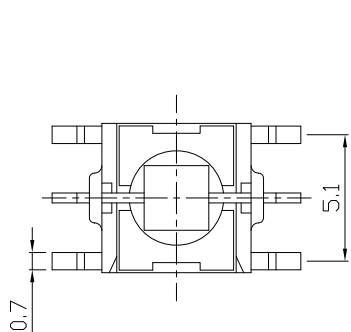
THESE DRAWINGS AND SPECIFICATIONS ARE THE PROPERTY OF ACCURATE INNOVATECH INC AND SHALL NOT BE REPRODUCED, COPIED OR USED IN ANY MANNER WITHOUT THE PRIOR WRITTEN CONSENT OF ACCURATE INNOVATECH INC.



RoHS Compliant  
2002/95/EC

REV.	ECN. NO.	APPD.

**DIMENSIONS**

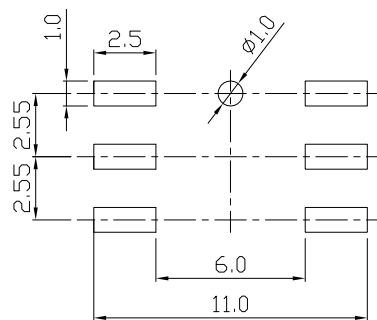
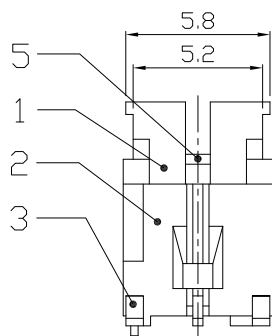
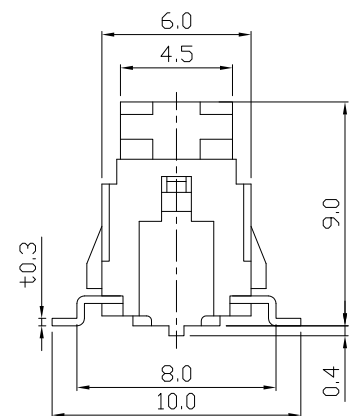


CIRCUIT DIAGRAM

**MODEL CODE**

ATI-007-MW16-1MN\*\*-BS  
1 234 5678 9

1. Series Number
2. Terminal Type: M=SMT
3. Stem Color: W=White B=Black
4. Operating Force: 16=160gf 25=250gf
5. Circuit
6. LED Type: M=SMT
7. LED Brightness: N=Normal S=Super Bright H=Super High Bright
8. LED Color: 01=Red 02=Yellow 03=Green 04=Blue 05=White 06=Pure Green 08=Amber 09=Blue Green 0A=Pink 0B=Purple
9. Packing Type: BS=Blister Packing TR=Tape Reel Packing



P.C.B LAYOUT  
TOP VIEW

**ELECTRO-MECHANICAL CHARACTERISTICS**

Refer to additional specifications

RATING	DC 12V 50mA	
CONTACT RESISTANCE	100mΩ MAX.	
TRAVEL	0.25±0.1mm	
OPERATING FORCE	160±50gf	250±50gf
OPERATING LIFE(cycles)	100,000	

8							
7							
6							
5	LED		1				
4	CONTACT	PBS C5210R-EH	1	Ag CLAD			
3	TERMINAL	BRASS STRIP	4	Ag PLATED			
2	CASE	NYLON+F.G	1	BLACK			
1	KNOB	NYLON+F.G	1	NATURAL/BLACK			
NO.	PARTS	MATERIAL	Q'TY	FINISHING			

WITHIN 1.5mm: ±0.1mm  
OVER 1.5mm: ±0.2mm

UNITS mm

MAT'L

SEE NOTE

FINISH

SEE NOTE

Q'TY

THESE DRAWINGS AND SPECIFICATIONS ARE THE PROPERTY OF ACCURATE INNOTECH INC. AND SHALL NOT BE REPRODUCED, COPIED OR USED IN ANY MANNER WITHOUT THE PRIOR WRITTEN CONSENT OF ACCURATE INNOTECH INC.

**龙创中业电子(深圳)有限公司**

TITLE: ILLUMINATED TACT SWITCH PART NO.: ATI-007-M

DR: Ricky 2016/10/06 DWG NO.: AZJ-007-M

CHKD: Ricky 2016/10/06

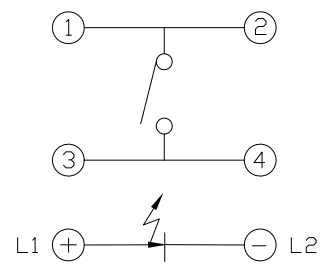
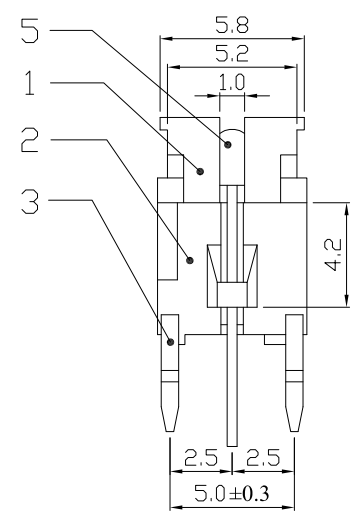
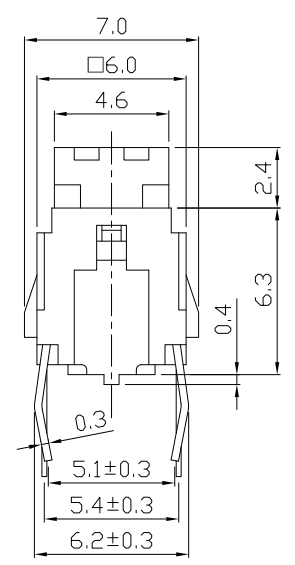
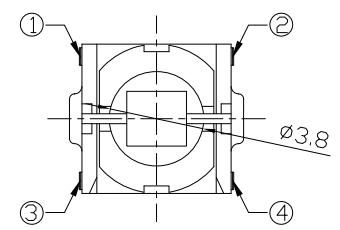
APPD:

SCALE	SHEET	REV.	CUSTOMER DRAWING
4:1	1/1	A	

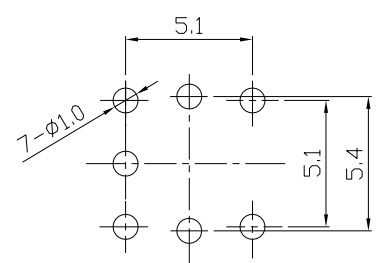
REV.	ECN.	NO.	APPD.



**DIMENSIONS**



CIRCUIT DIAGRAM



P.C.B LAYOUT  
TOP VIEW

**MODEL CODE**

ATI-008-DW16-1DN\*\*-BS  
1 2 3 4 5 6 7 8 9

- 1.Series Number
- 2.Terminal Type: D=Dip
- 3.Stem Color: W=White B=Black
- 4.Operating Force: 16=160gf 25=250gf
- 5.Circuit
- 6.LED Type: D=Dip
- 7.LED Brightness: N=Normal S=Super Bright H=Super High Bright
- 8.LED Color: 01=Red 02=Yellow 03=Green 04=Blue 05=White 06=Pure Green 08=Amber 09=Blue Green 0A=Pink 0B=Purple
- 9.Packing Type: BS=Blister Packing

**ELECTRO-MECHANICAL CHARACTERISTICS**

Refer to additional specifications

RATING	DC 12V 50mA	
CONTACT RESISTANCE	100mΩ MAX.	
TRAVEL	0.25±0.1mm	
OPERATING FORCE	160±50gf	250±50gf
OPERATING LIFE(cycles)	100,000	

8				
7				
6				
5	LED		1	
4	CONTACT	PBS C5210R-EH	1	Ag CLAD
3	TERMINAL	BRASS STRIP	4	Ag PLATED
2	CASE	NYLON+F.G	1	BLACK
1	KNOB	NYLON+F.G	1	NATURAL/BLACK
NQ.	PARTS	MATERIAL	Q'TY	FINISHING

WITHIN 1.5mm: ±0.1mm  
OVER 1.5mm: ±0.2mm

THESE DRAWINGS AND SPECIFICATIONS ARE THE PROPERTY OF ACCURATE INNOTECH INC AND SHALL NOT BE REPRODUCED, COPIED OR USED IN ANY MANNER WITHOUT THE PRIOR WRITTEN CONSENT OF ACCURATE INNOTECH INC.

UNITS	mm
MAT'L	SEE NOTE
FINISH	SEE NOTE
Q'TY	

**龙创中业电子(深圳)有限公司**

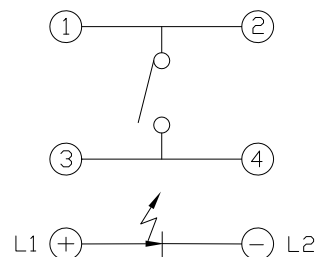
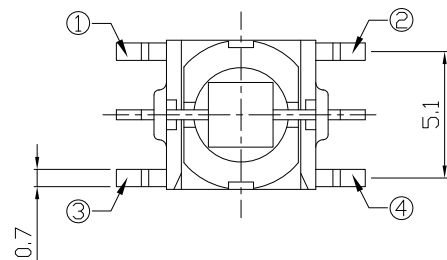
TITLE:	ILLUMINATED TACT SWITCH	PART NO.:	ATI-008-D	
DR:	Ricky 2016/10/07	DWG NO.:	AZJ-008-D	
CHKD:	Ricky 2016/10/07	SCALE	SHEET	REV.
APPD:		4:1	1/1	A
				CUSTOMER DRAWING



RoHS Compliant  
2002/95/EC

REV.	ECN.	NO.	APPD.

**DIMENSIONS**

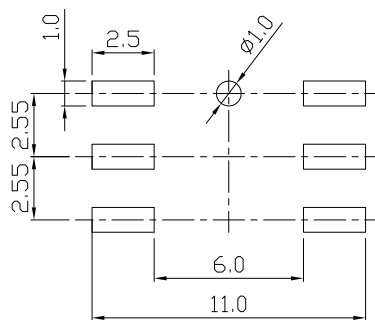
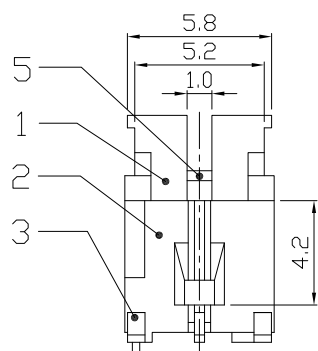
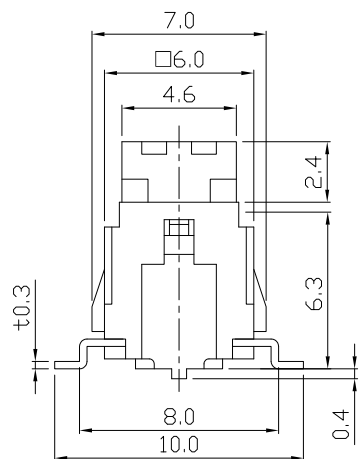


CIRCUIT DIAGRAM

**MODEL CODE**

ATI-008-MW16-1MN\*\*-BS  
1 2 3 4 5 6 7 8 9

- 1.Series Number
- 2.Terminal Type: M=SMT
- 3.Stem Color: W=White B=Black
- 4.Operating Force: 16=160gf 25=250gf
- 5.Circuit
- 6.LED Type: M=SMT
- 7.LED Brightness: N=Normal S=Super Bright H=Super High Bright
- 8.LED Color: 01=Red 02=Yellow 03=Green 04=Blue 05=White 06=Pure Green 08=Amber 09=Blue Green 0A=Pink 0B=Purple
- 9.Packing Type: BS=Blister Packing TR=Tape Reel Packing



P.C.B LAYOUT  
TOP VIEW

**ELECTRO-MECHANICAL CHARACTERISTICS**

Refer to additional specifications

RATING	DC 12V 50mA	
CONTACT RESISTANCE	100mΩ MAX.	
TRAVEL	0.25±0.1mm	
OPERATING FORCE	160±50gf	250±50gf
OPERATING LIFE(cycles)	100,000	

8				
7				
6				
5	LED		1	
4	CONTACT	PBS C5210R-EH	1	Ag CLAD
3	TERMINAL	BRASS STRIP	4	Ag PLATED
2	CASE	NYLON+F.G	1	BLACK
1	KNOB	NYLON+F.G	1	NATURAL/BLACK
NO.	PARTS	MATERIAL	Q'TY	FINISHING

WITHIN 1.5mm: ±0.1mm  
OVER 1.5mm: ±0.2mm

THESE DRAWINGS AND SPECIFICATIONS ARE THE PROPERTY OF ACCURATE INNOTECH INC AND SHALL NOT BE REPRODUCED, COPIED OR USED IN ANY MANNER WITHOUT THE PRIOR WRITTEN CONSENT OF ACCURATE INNOTECH INC.

UNITS	mm
MAT'L	SEE NOTE
FINISH	SEE NOTE
Q'TY	

**龙创中业电子(深圳)有限公司**

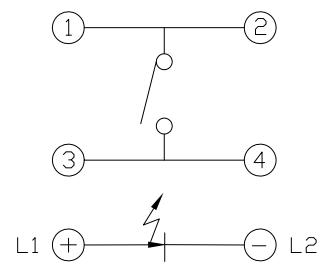
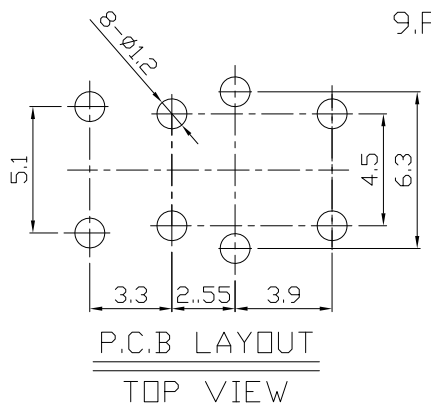
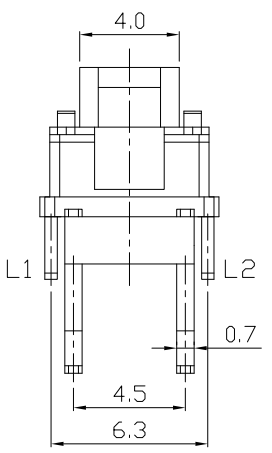
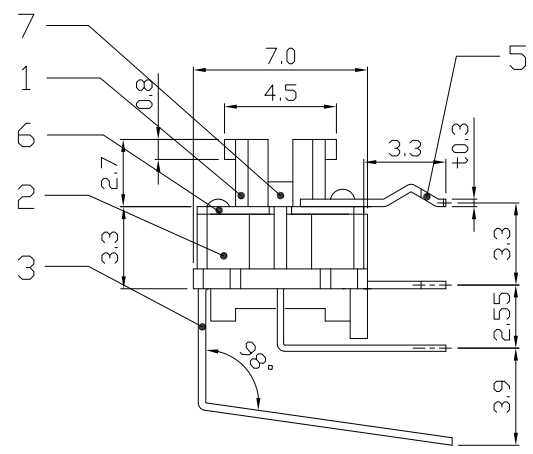
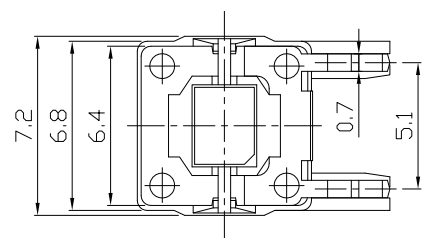
TITLE: ILLUMINATED TACT SWITCH  
DR: Ricky 2016/10/07  
CHKD: Ricky 2016/10/07  
APPD:

PART NO.:	ATI-008-M		
DWG NO.:	AZJ-008-M		
SCALE	SHEET	REV.	CUSTOMER DRAWING
4:1	1/1	A	



REV.	ECN.	NO.	APPD.

**DIMENSIONS**



CIRCUIT DIAGRAM

**MODEL CODE**

ATI-009-DW16-1DN\*\*-BS  
1 2 3 4 5 6 7 8 9

- 1.Series Number
- 2.Terminal Type: D=Dip
- 3.Stem Color: W=White B=Black
- 4.Operating Force: 16=160gf 25=250gf
- 5.Circuit
- 6.LED Type: D=Dip
- 7.LED Brightness: N=Normal S=Super Bright H=Super High Bright
- 8.LED Color: 01=Red 02=Yellow 03=Green 04=Blue 05=White 06=Pure Green 08=Amber 09=Blue Green 0A=Pink 0B=Purple
- 9.Packing Type: BS=Blister Packing

**ELECTRO-MECHANICAL CHARACTERISTICS**

Refer to additional specifications

RATING	DC 12V 50mA	
CONTACT RESISTANCE	100mΩ MAX.	
TRAVEL	0.25±0.1mm	
OPERATING FORCE	160±50gf	250±50gf
OPERATING LIFE(cycles)	100,000	

8				
7	LED		1	
6	COVER	PET	1	NATURAL
5	FRAME	STEEL	1	Sn PLATED
4	CONTACT	PBS C5210R-EH	1	Ag PLATED
3	TERMINAL	BRASS STRIP	4	Ag PLATED
2	CASE	NYLON+F.G	1	BLACK
1	KNOB	NYLON+F.G	1	WHITE/BLACK
NO.	PARTS	MATERIAL	Q'TY	FINISHING

WITHIN 1.5mm: ±0.1mm  
OVER 1.5mm: ±0.2mm

SEE NOTE

SEE NOTE

THESE DRAWINGS AND SPECIFICATIONS ARE THE PROPERTY OF ACCURATE INNOTECH INC AND SHALL NOT BE REPRODUCED, COPIED OR USED IN ANY MANNER WITHOUT THE PRIOR WRITTEN CONSENT OF ACCURATE INNOTECH INC.

UNITS	mm
MAT'L	SEE NOTE
FINISH	SEE NOTE
Q'TY	

**龙创中业电子（深圳）有限公司**

TITLE:	ILLUMINATED TACT SWITCH	PART NO.:	ATI-009-D
DR:	Ricky 2016/10/07	DWG NO.:	AZJ-009-D
CHKD:	Ricky 2016/10/07	SCALE	SHEET
APPD:		1:1	1/1
		REV.	A
		CUSTOMER	DRAWING