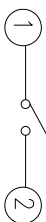
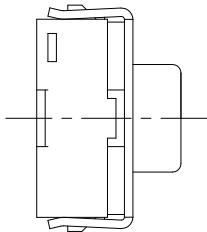
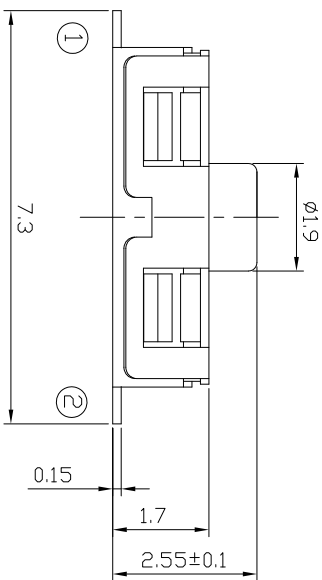




RoHS
Compliant
2002/95/EC

DIMENSIONS

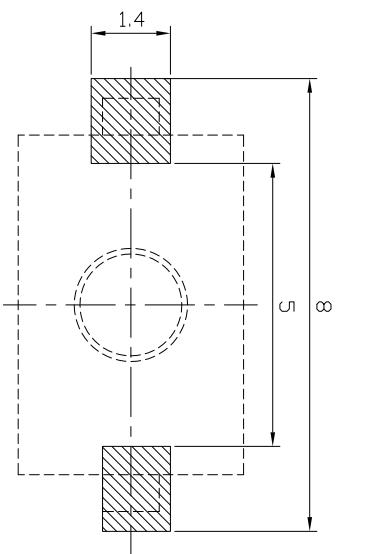


CIRCUIT DIAGRAM

PRODUCT IMAGE

P.C.B MOUNTING PATTERN DIMENSION

The following soldering patterns are recommended for reflow soldering



ELECTRO-MECHANICAL CHARACTERISTICS

Refer to additional specifications

Rating	DC 12V 50mA
Contact Resistance	100mΩ Max.
Travel	0.5 ± 0.2mm
Operating Force	160±30gf / 250±50gf
Operating Life(cycles)	100,000 / 50,000

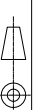
龙创中业电子（深圳）有限公司

TITLE: TACT SWITCH
PART NO.: AT-1181GJ SERIES

DR: *Rocky* 2017/04/06
CHKD: *Rocky* 2017/04/06
APPD:
SCALE: 1:1
SHEET: 1/1
REV: A

UNITS	mm
MAT'L	
SEE NOTE	
FINISH	
SEE NOTE	
Q'TY	
APPRO.	

.X ±0.2 X ±2'
THESE DRAWINGS AND SPECIFICATIONS ARE THE PROPERTY OF ACCURATE INNOTECH INC AND SHALL NOT BE REPRODUCED, COPIED OR USED IN ANY MANNER WITHOUT THE WRITTEN CONSENT OF ACCURATE INNOTECH INC.



REV.	ECN.	NO.	APPD.