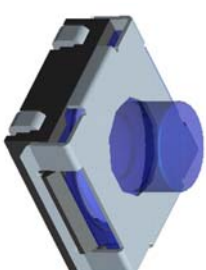
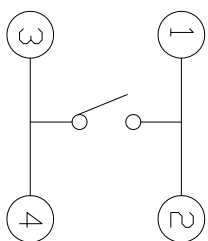
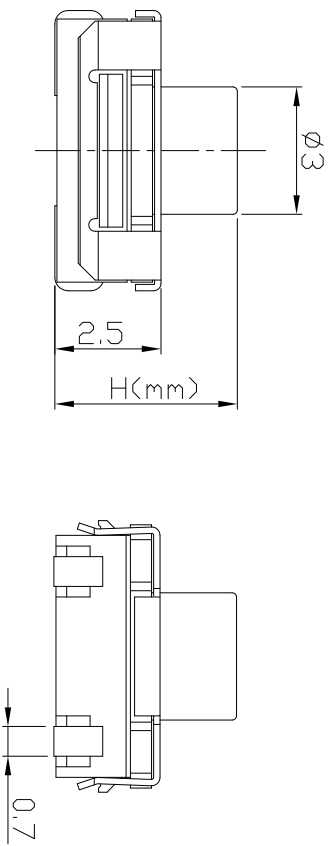


DIMENSIONS



H	
-	3.4
A	4.0
B	4.3
C	5.0

CIRCUIT DIAGRAM

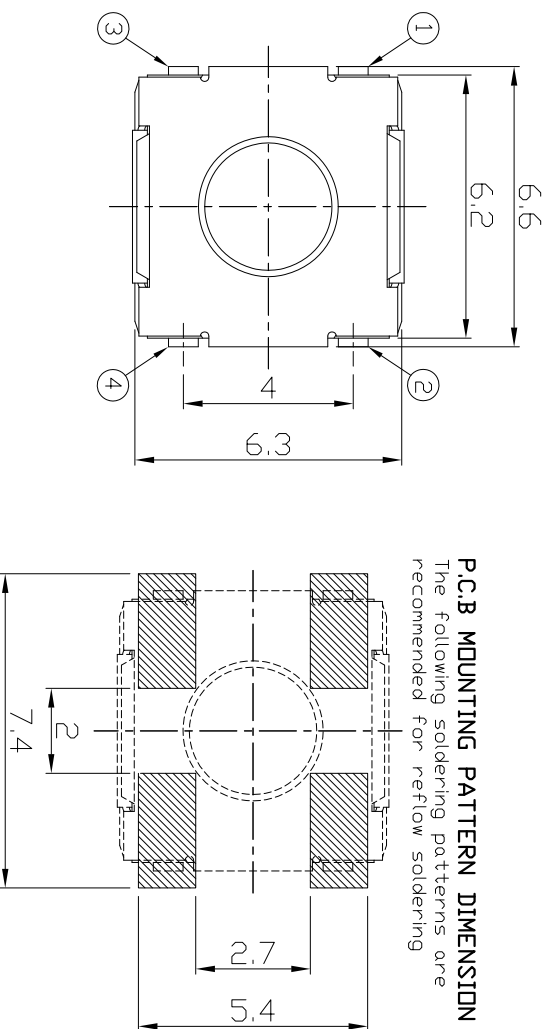
PRODUCT IMAGE

MODEL CODE

AT-1158-

P.C.B MOUNTING PATTERN DIMENSION

The following soldering patterns are recommended for reflow soldering



ELECTRO-MECHANICAL CHARACTERISTICS

Refer to additional specifications

Rating	DC 12V 50mA	
Contact Resistance	100mΩ Max.	
Travel	0.3 ± 0.2mm	
Operating Force	160±50gf	260±50gf
Operating Life(cycles)	100,000	

龙创中业电子（深圳）有限公司

.X ±0.3	X ±2'	UNITS	mm
		MAT'L	
		SEE NOTE	
		FINISH	
		SEE NOTE	
TITLE: TACT SWITCH			
DR: <i>Stacy</i> 2017/04/06		PART NO.: AT-1158 SERIES	
CHKD: <i>Stacy</i> 2017/04/06		DWG NO.: ASI-1158	
APPD:		SCALE	SHEET
		1:1	1/1
		REV.	A
		CUSTOMER DRAWING	

THESE DRAWINGS AND SPECIFICATIONS ARE THE PROPERTY OF ACCURATE INNOTECH INC AND SHALL NOT BE REPRODUCED, COPIED OR USED IN ANY MANNER WITHOUT THE WRITTEN CONSENT OF ACCURATE INNOTECH INC.

REV.	ECN. NO.	APPD.