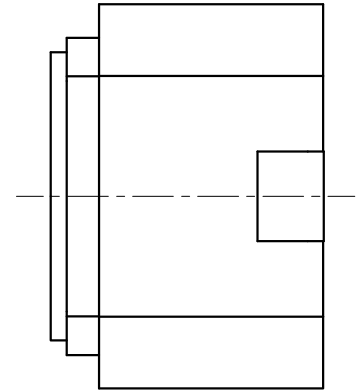
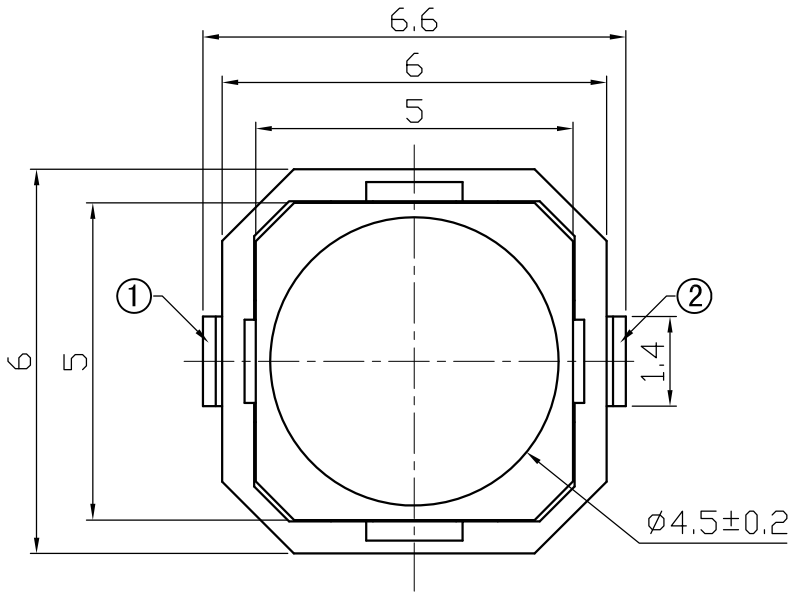


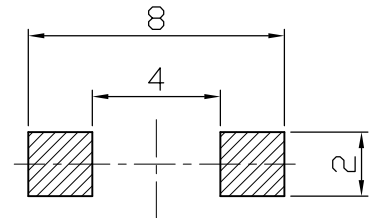
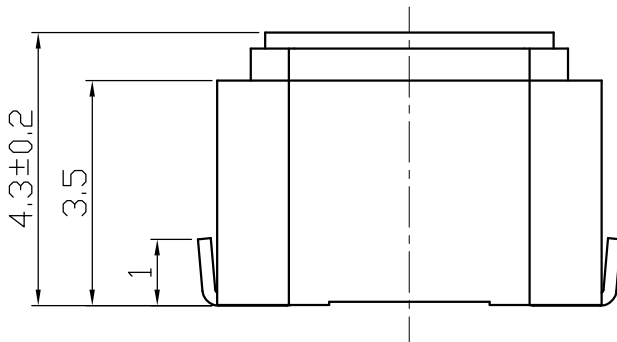
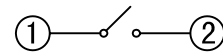
# 龙创中业电子（深圳）有限公司产品规格书

MODEL PS0602P1S1XX-V01

BASIC DIMENSIONS	L ≤ 10	10 < L	100 ≤ L	ANGLE	UNIT
TOL.	±0.3	±0.5	±0.8	±5°	mm



## CIRCUIT DIAGRAM



P.C.B LAND  
RECOMMENDED LAND PATTERN