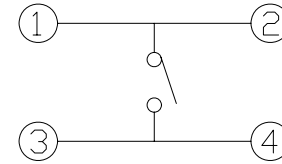
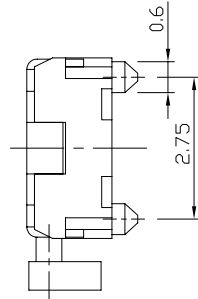
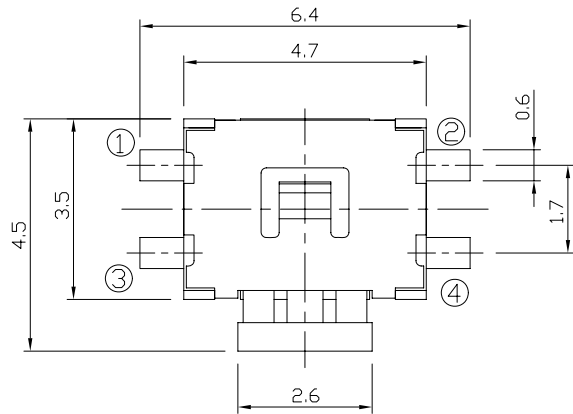




RoHS
Compliant
2002/95/EC

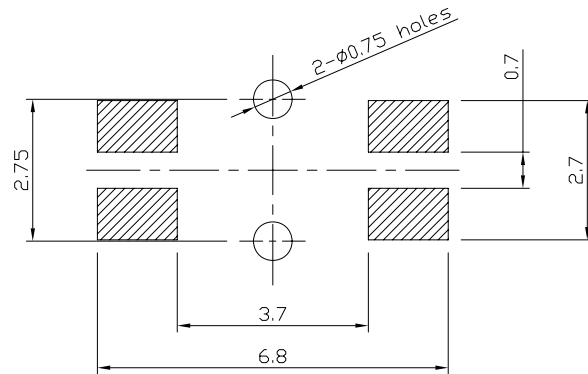
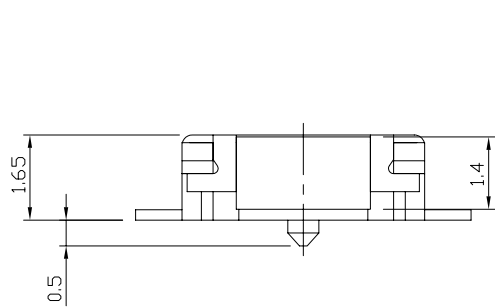
REV.	ECN.	NO.	APPD.

DIMENSIONS



CIRCUIT DIAGRAM

P.C.B MOUNTING PATTERN DIMENSION



ELECTRO-MECHANICAL CHARACTERISTICS

Refer to additional specifications

RATING	DC12V 50mA
CONTACT RESISTANCE	100mΩ MAX.
TRAVEL	0.3±0.1mm
OPERATING FORCE	220±50gf
OPERATING LIFE(cycles)	100,000

8					.X ±0.3	X. ±3°	UNITS mm	龙创中业电子 (深圳) 有限公司 TITLE: TACT SWITCH PART NO.: AT-1189E SERIES DR: <i>Ricky</i> 2015/05/07 DWG NO.: AKS-1189E CHKD: <i>Ricky</i> 2015/05/07 APPD:
7							MAT'L	
6							SEE NOTE	
5							FINISH	
4							SEE NOTE	
3							Q'TY	
2							SEE NOTE	
1							SEE NOTE	
NO.	PARTS	MATERIAL	Q'TY	FINISHING				SCALE SHEET REV. CUSTOMER DRAWING 1:1 1/1 A DRAWING

THESE DRAWINGS AND SPECIFICATIONS ARE THE PROPERTY OF ACCURATE INNOTECH INC AND SHALL NOT BE REPRODUCED, COPIED OR USED IN ANY MANNER WITHOUT THE PRIOR WRITTEN CONSENT OF ACCURATE INNOTECH INC.