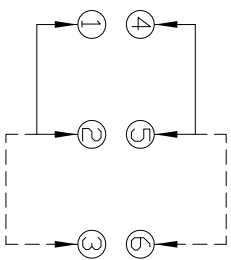
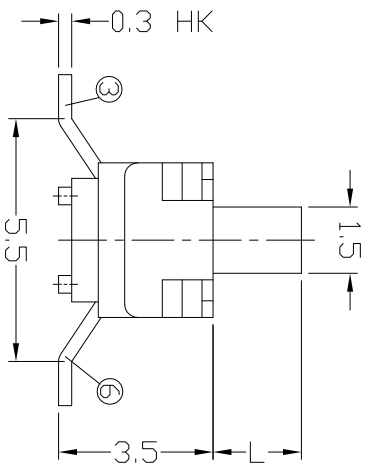
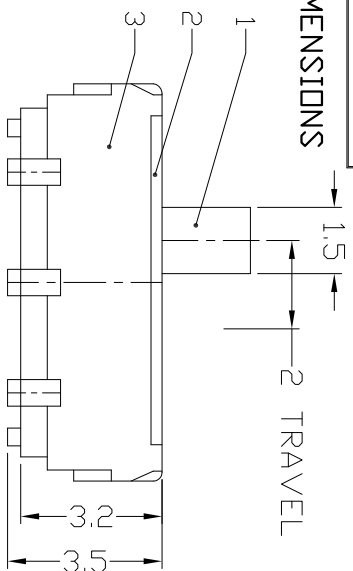


DIMENSIONS



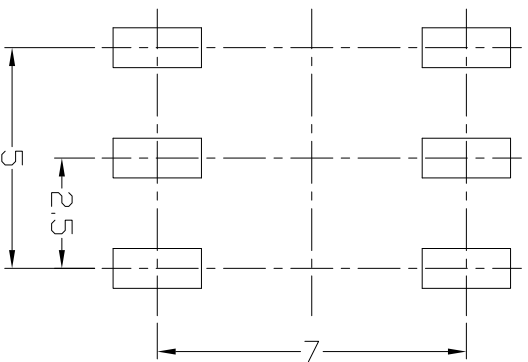
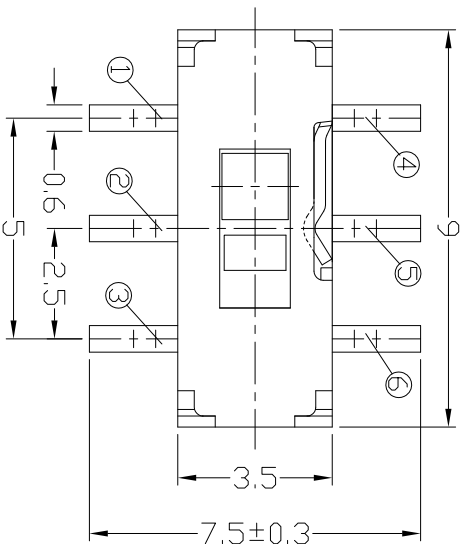
CIRCUIT DIAGRAM

MODEL CODE

AS-2235SPL □ - B

L	(mm)
-	2.0
A	4.0
B	3.0

Knob Color	
B	Black
W	White



P.C.B. LAYOUT

TOP VIEW

RATING	DC6V 0.3A
CIRCUIT	2P2T
CONTACT RESISTANCE	70mΩ MAX.
TRAVEL	2mm
OPERATING FORCE	200±50gf
OPERATING LIFE(cycles)	10,000

ELECTRO-MECHANICAL CHARACTERISTICS
Refer to additional specifications

8																			
7																			
6																			
5																			
4	CONTACT	PBS WIRE	2	NATURAL															
3	CASE	PA66/BRASS STRIP	1	BLACK/Ag PLATED															
2	COVER	SUS	1	NATURAL															
1	KNDB	PA66	1	BLACK															
ND.	PARTS	MATERIAL	Q'TY	FINISHING															
WITHIN 1.5mm±0.1mm OVER 1.5mm±0.2mm					UNITS mm MAT'L SEE NOTE FINISH SEE NOTE					TITLE: 龙创中业电子 (深圳) 有限公司 MINI SLIDE SWITCH / VERTICAL DRI: <i>Rocky</i> 2015/04/14 CHK'D: <i>Rocky</i> 2015/04/14 APP'D:					PART NO.: AS-2235SPL SERIES DWG NO.: ADL-2235SPL SCALE: 1/1 SHEET: 1/1 REV: A CUSTOMER DRAWING				

THESE DRAWINGS AND SPECIFICATIONS ARE THE PROPERTY OF ACCURATE INNOTECH INC. AND SHALL NOT BE REPRODUCED, COPIED OR TRANSMITTED IN ANY FORM OR BY ANY MEANS WITHOUT THE WRITTEN CONSENT OF ACCURATE INNOTECH INC.