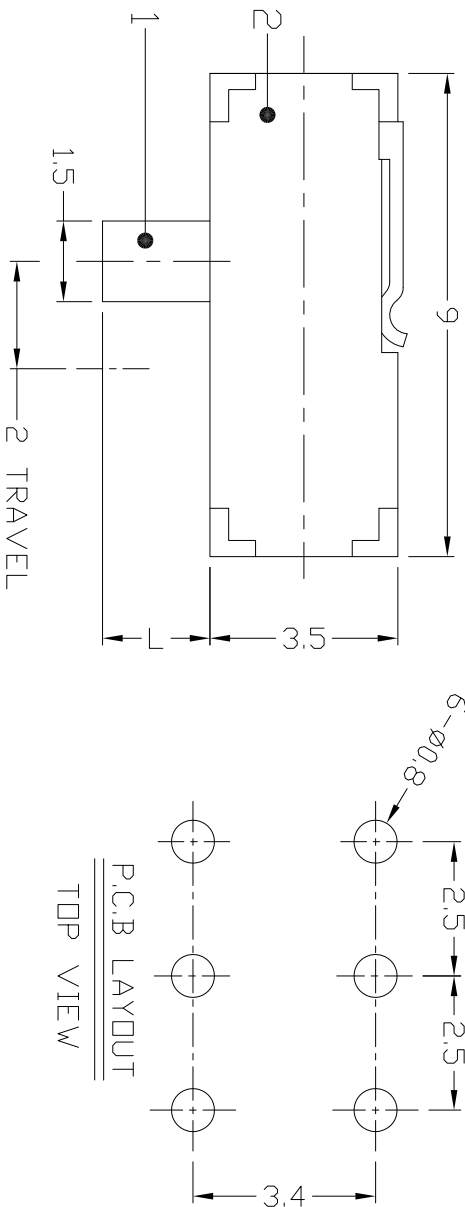
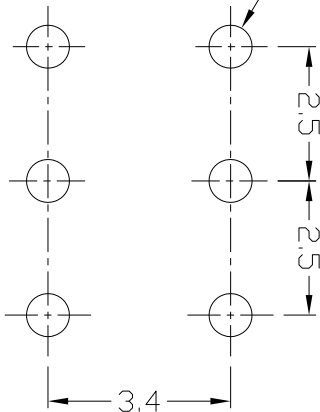


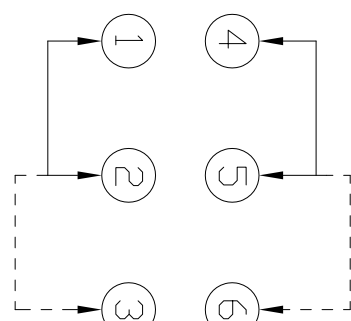
DIMENSIONS



P.C.B LAYOUT  
TOP VIEW



CIRCUIT DIAGRAM



MODEL CODE

AS-2245

L (mm)	Knob Color
- 2.0	B Black
B 3.0	W White

ELECTRO-MECHANICAL CHARACTERISTICS  
Refer to additional specifications

RATING	DC6V 0.3A
CIRCUIT	2P2T
TIMING	NON-SHORTING
CONTACT RESISTANCE	100mΩ MAX.
TRAVEL	2mm
OPERATING FORCE	250±150gf
OPERATING LIFE(cycles)	10,000

8																			
7																			
6																			
5	CONTACT	PBS	2	AG CLAD															
4	CASE	NYLON+F.G/PA6T	1	BLACK															
3	TERMINAL	BRASS STRIP	1	AG PLATED															
2	COVER	SUS	1	WASHING															
1	KNDB	NYLON+F.G/PA46	1	WHITE/BLACK															
ND.	PARTS	MATERIAL	Q'TY	FINISHING															

龙创中业电子（深圳）有限公司

TITLE: MINI SLIDE SWITCH / HORIZONTAL  
PART NO.: AS-2245 SERIES

DR: 2016/12/22  
CHKD: 2016/12/22  
SCALE: 1/1

REV. ECN. NO. APPL. CUSTOMER DRAWING