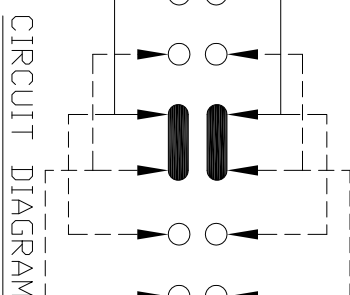
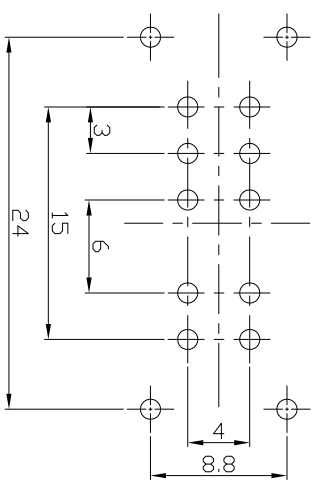
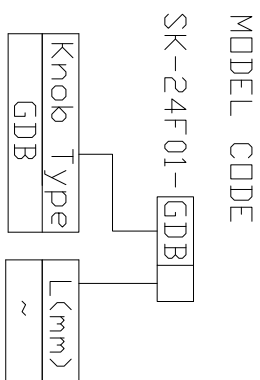
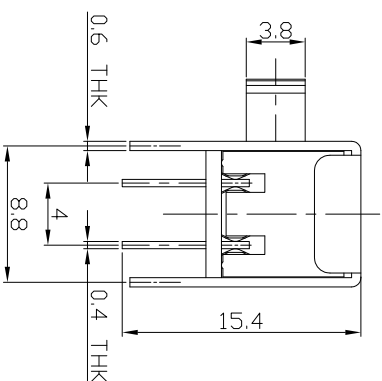
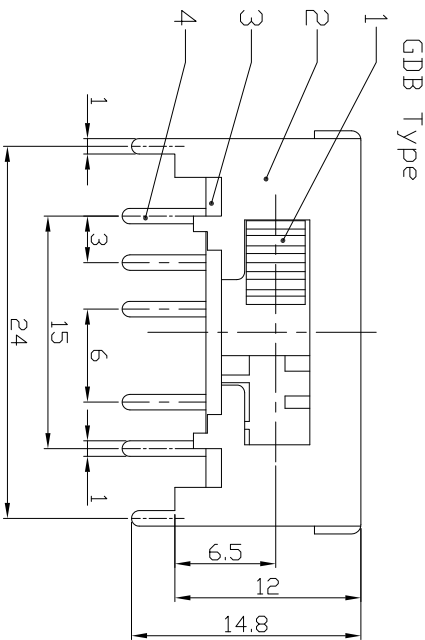
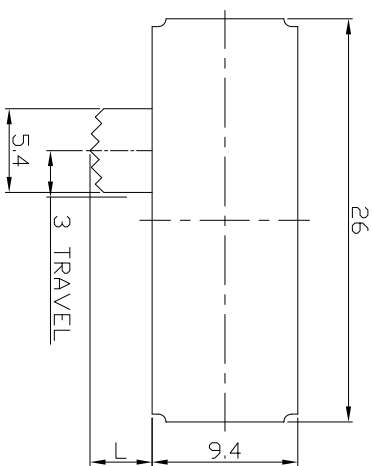




RoHS
Compliant
2002/95/EC

DIMENSIONS



ELECTRO-MECHANICAL CHARACTERISTICS
Refer to additional specifications

RATING	0.3A 50V DC
CIRCUIT	2P4T
CONTACT RESISTANCE	100mΩ MAX.
TIMING	SHORTING
TRAVEL	3mm
OPERATING FORCE	200±100gf
OPERATING LIFE(cycles)	10,000

8	STEEL BALL	STEEL	1	NATURAL	WITHIN 1.5mm: ±0.1mm	UNITS	mm
7	SPRING	STEEL WIRE	1	NATURAL	OVER 1.5mm: ±0.2mm	MAT'L	SEE NOTE
6	CONTACT CLIP	PBS STRIP	2	AG PLATED		FINISH	SEE NOTE
5	TERMINAL	BRASS STRIP	10	AG PLATED		DR:	2016/07/14
4	BASE	PHENOLIC RESIN	1	BLACK		CHKD:	2016/07/14
3	FRAME	STEEL STRIP	1	NI PLATED		APPD:	2016/07/14
2	KNOB	POM	1	BLACK			
1	PARTS	MATERIAL	Q'TY	FINISHING			

THESE DRAWINGS AND SPECIFICATIONS ARE THE PROPERTY OF ACCURATE INNOTECH INC. AND SHALL NOT BE REPRODUCED, COPIED OR TRANSMITTED IN ANY FORM OR BY ANY MEANS WITHOUT THE WRITTEN CONSENT OF ACCURATE INNOTECH INC.

龙创中业电子（深圳）有限公司

TITLE: SLIDE SWITCH / HORIZONTAL

PART NO.: SK-24F01

DWG NO.: ADL-24F01

SCALE: 1/1

SHEET: 1/A

REV.:

CUSTOMER DRAWING

REV.	ECN.	NO.	APPL.