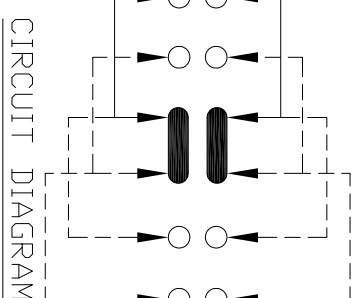
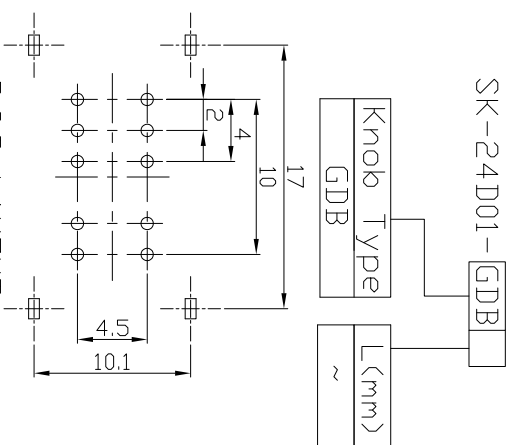
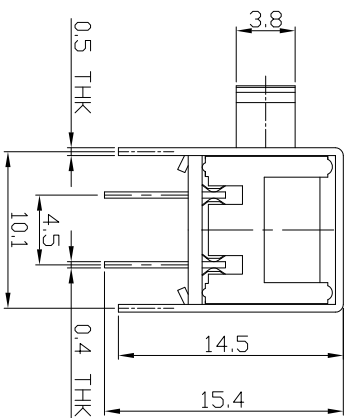
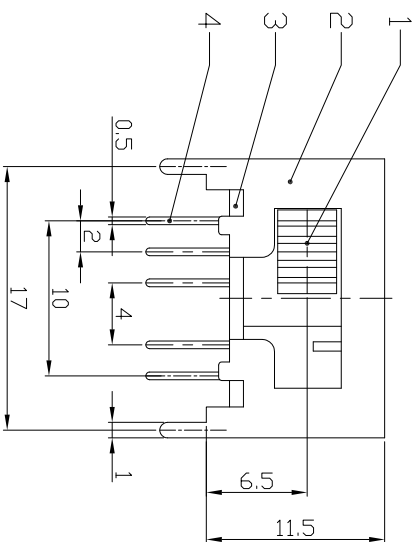
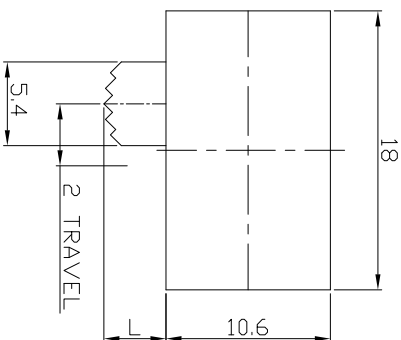




RoHS
Compliant
2002/95/EC

DIMENSIONS



MODEL CODE
SK-24D01-GDB

ELECTRO-MECHANICAL CHARACTERISTICS
Refer to additional specifications

RATING	0.3A 50V DC
CIRCUIT	2P4T
CONTACT RESISTANCE	100mΩ MAX.
TIMING	SHORTING
TRAVEL	2mm
OPERATING FORCE	250±100gf
OPERATING LIFE(cycles)	10,000

龙创中业电子（深圳）有限公司

TITLE: 龙创中业电子（深圳）有限公司
SLIDE SWITCH / HORIZONTAL

DR: 2016/07/14
CHKD: 2016/07/14
SCALE: 1/1

NO.	PARTS	MATERIAL	Q'TY	FINISHING
8	STEEL BALL	STEEL	1	NATURAL
7	SPRING	STEEL WIRE	1	NATURAL
6	CONTACT CLIP	PBS STRIP	2	AG PLATED
5	TERMINAL	BRASS STRIP	10	AG PLATED
4	BASE	PHENOLIC RESIN	1	NATURAL
3	FRAME	STEEL STRIP	1	NI PLATED
2	KNOB	POM	1	BLACK
1	PARTS	MATERIAL	Q'TY	FINISHING

WITHIN 1.5mm: ±0.1mm
OVER 1.5mm: ±0.2mm

UNITS: mm

PART NO.: SK-24D01

DWG NO.: ADL-24D01

SCALE: 1/1

REV.	ECN.	NO.	APPL.