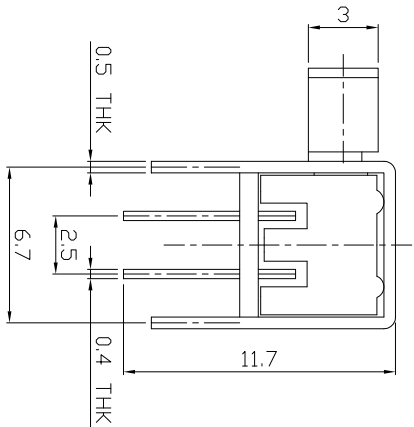
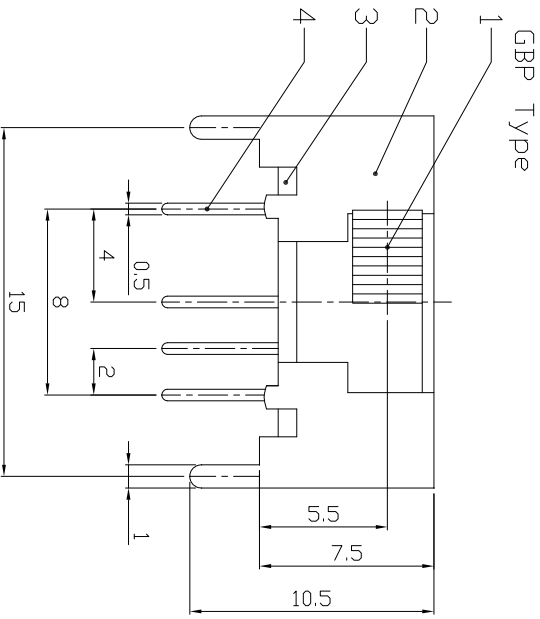
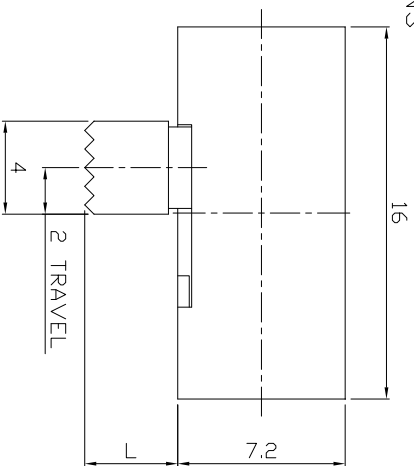
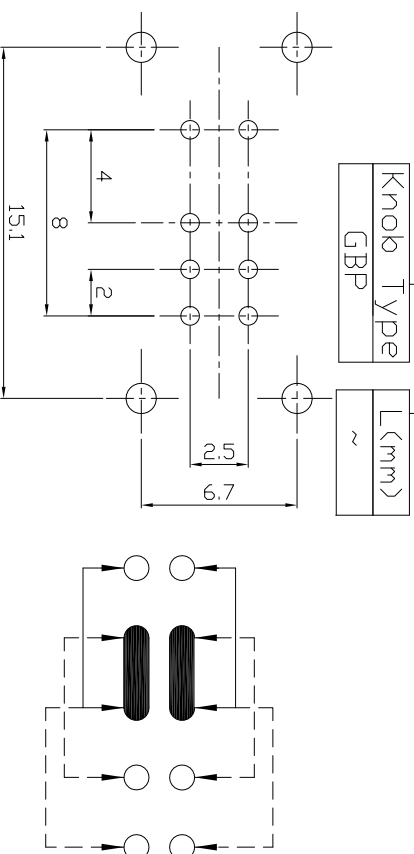


DIMENSIONS



MODEL CODE

SK-23D25-GBP



P.C.B LAYOUT
BOTTOM VIEW

RATING	0.3A 50V DC
CIRCUIT	2P3T
CONTACT RESISTANCE	100mΩ MAX.
TIMING	SHORTING
TRAVEL	2mm
OPERATING FORCE	250±100gf
OPERATING LIFE(cycles)	10,000

ELECTRO-MECHANICAL CHARACTERISTICS
Refer to additional specifications

8	CONTACT CLIP	PBS STRIP	2	AG PLATED	WITHIN 1.5mm: ±0.1mm	UNITS	mm
7	SPRING	STEEL WIRE	1	NATURAL	OVER 1.5mm: ±0.2mm	MAT'L	SEE NOTE
6	STEEL BALL	STEEL	1	NATURAL		FINISH	SEE NOTE
4	TERMINAL	BRASS STRIP	8	AG PLATED		SEE NOTE	
3	BASE	PHENOLIC RESIN	1	NATURAL		DR:	2016/07/11
2	FRAME	STEEL STRIP	1	NI PLATED		CHKD:	2016/07/11
1	KNOB	POM	1	BLACK		APPD:	
ND.	PARTS	MATERIAL	Q'TY	FINISHING			

龙创中业电子（深圳）有限公司

TITLE: SK-23D25
SLIDE SWITCH / HORIZONTAL

DWG NO: ADL-23D25
SCALE: 1/1

REV.	ECN.	NO.	APPL.