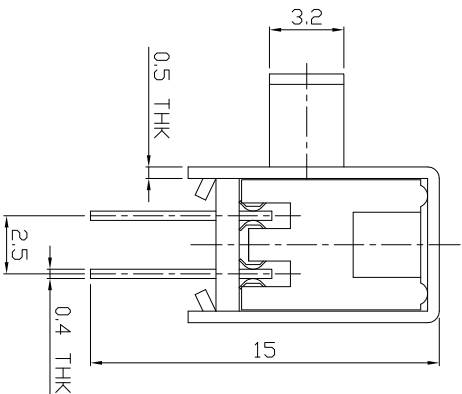
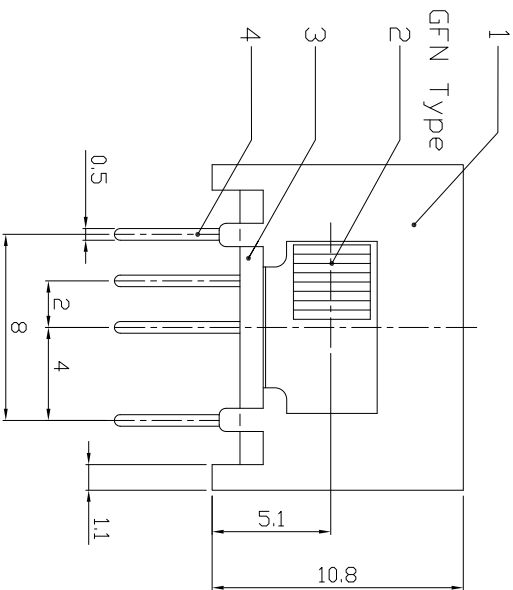
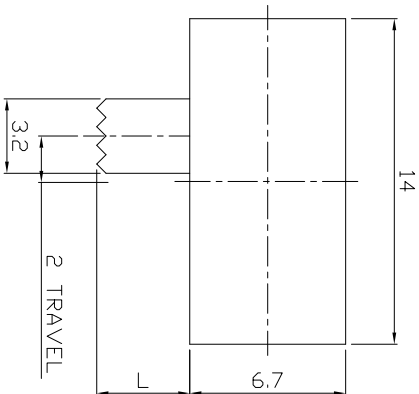




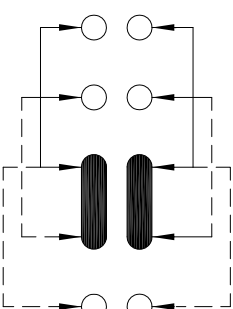
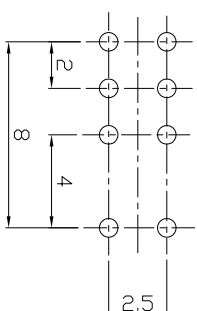
RoHS
Compliant
2002/95/EC

DIMENSIONS



MODEL CODE

SK-23D21-GFN



P.C.B LAYOUT
BOTTOM VIEW

CIRCUIT DIAGRAM

ELECTRO-MECHANICAL CHARACTERISTICS
Refer to additional specifications

RATING	0.3A 50V DC
CIRCUIT	2P3T
CONTACT RESISTANCE	100mΩ MAX.
TIMING	NON-SHORTING
TRAVEL	2mm
OPERATING FORCE	250±100gf
OPERATING LIFE(cycles)	10,000

8	STEEL BALL	STEEL	1	NATURAL
7	SPRING	STEEL WIRE	1	NATURAL
6	CONTACT CLIP	PBS STRIP	2	Ag PLATED
5	TERMINAL	BRASS STRIP	8	Ag PLATED
4	BASE	PHENOLIC RESIN	1	NATURAL
3	KNOB	POM	1	BLACK
2	FRAME	STEEL STRIP	1	Ni PLATED
1	PARTS	MATERIAL	Q'TY	FINISHING

WITHIN 1.5mm: ±0.1mm
OVER 1.5mm: ±0.2mm

UNITS mm
MATERIAL SEE NOTE
FINISH SEE NOTE

龙创中业电子（深圳）有限公司

TITLE: SLIDE SWITCH / HORIZONTAL
PART NO.: SK-23D21
DWG NO.: ADL-23D21

DR: *Rocky* 2016/07/11
CHKD: *Rocky* 2016/07/11
SCALE: 3:1
SHEET: 1/1
REV: A
CUSTOMER DRAWING

THESE DRAWINGS AND SPECIFICATIONS ARE THE PROPERTY OF ACCURATE INNOTECH INC. AND SHALL NOT BE REPRODUCED, COPIED OR TRANSMITTED IN ANY FORM OR BY ANY MEANS WITHOUT THE WRITTEN CONSENT OF ACCURATE INNOTECH INC.