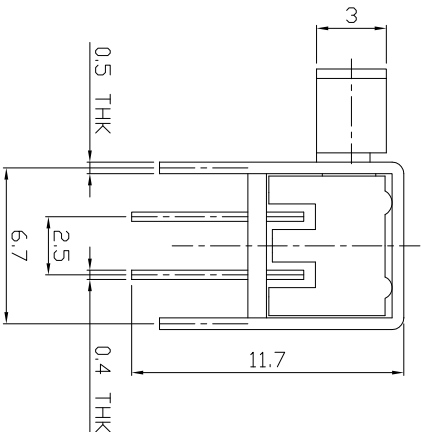
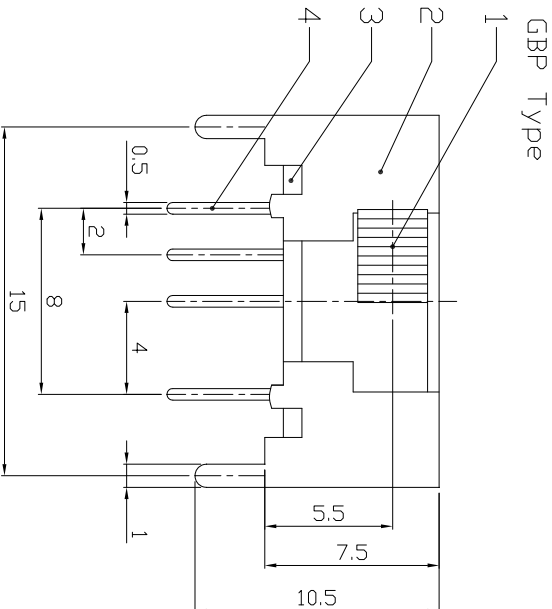
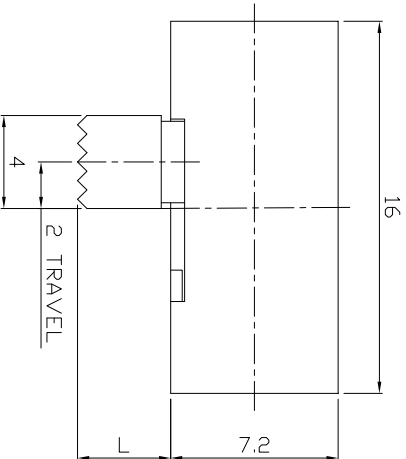




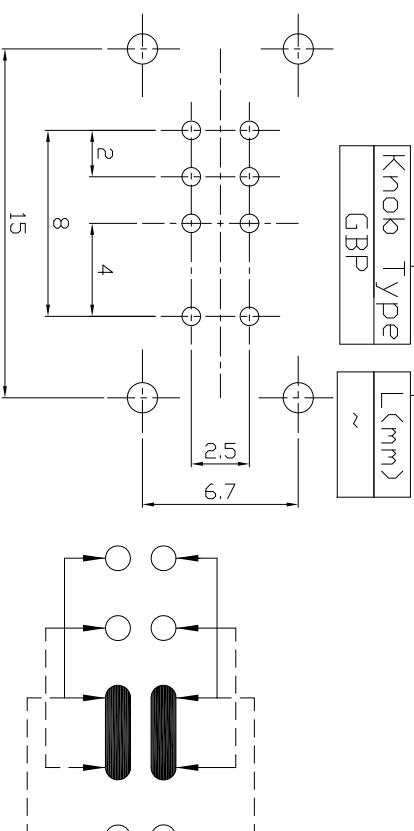
RoHS
Compliant
2002/95/EC

DIMENSIONS



MODEL CODE

SK-23D05-GBP



P.C.B LAYOUT

BOTTOM VIEW

ELECTRO-MECHANICAL CHARACTERISTICS

Refer to additional specifications

| | |
|------------------------|-------------|
| RATING | 0.3A 50V DC |
| CIRCUIT | 2P3T |
| CONTACT RESISTANCE | 100mΩ MAX. |
| TIMING | SHORTING |
| TRAVEL | 2mm |
| OPERATING FORCE | 250±100gf |
| OPERATING LIFE(cycles) | 10,000 |

CIRCUIT DIAGRAM

| | | | | |
|-----|--------------|----------------|------|-----------|
| 8 | CONTACT CLIP | PBS STRIP | 2 | AG PLATED |
| 7 | SPRING | STEEL WIRE | 1 | NATURAL |
| 6 | STEEL BALL | STEEL | 1 | NATURAL |
| 4 | TERMINAL | BRASS STRIP | 8 | AG PLATED |
| 3 | BASE | PHENOLIC RESIN | 1 | NATURAL |
| 2 | FRAME | STEEL STRIP | 1 | NI PLATED |
| 1 | KNOB | POM | 1 | BLACK |
| ND. | PARTS | MATERIAL | Q'TY | FINISHING |

WITHIN 1.5mm: ±0.1mm
OVER 1.5mm: ±0.2mm

UNITS mm
MAT'L SEE NOTE
FINISH SEE NOTE

龙创中业电子 (深圳) 有限公司

TITLE: SLIDE SWITCH / HORIZONTAL
PART NO.: SK-23D05

THESE DRAWINGS AND SPECIFICATIONS ARE THE PROPERTY OF ACCURATE INNOTECH INC. AND SHALL NOT BE REPRODUCED, COPIED OR TRANSMITTED IN ANY FORM OR BY ANY MEANS WITHOUT THE WRITTEN CONSENT OF ACCURATE INNOTECH INC.

DR: *Stacy* 2016/07/11 DWG NO.: ADL-23D05
CHKD: *Stacy* 2016/07/11 SCALE SHEET REV. 3/1 1/1 A CUSTOMER DRAWING
APPD: