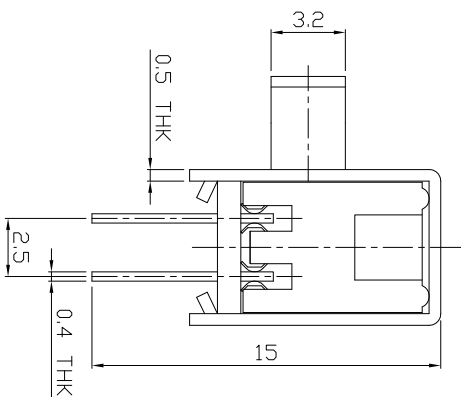
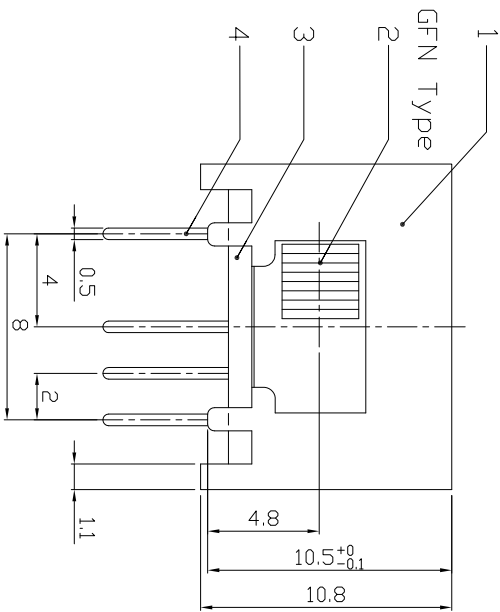
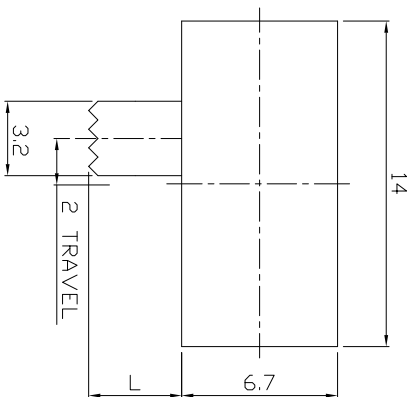




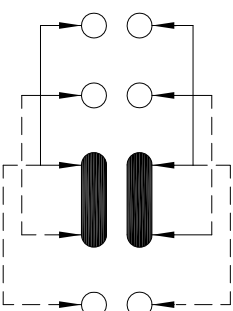
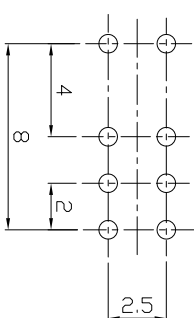
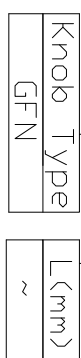
RoHS
Compliant
2002/95/EC

DIMENSIONS



MODEL CODE

SK-23D01 - GFN



**P.C.B LAYOUT
BOTTOM VIEW**

CIRCUIT DIAGRAM

ELECTRO-MECHANICAL CHARACTERISTICS
Refer to additional specifications

RATING	0.3A 50V DC
CIRCUIT	2P3T
CONTACT RESISTANCE	100mΩ MAX.
TIMING	NON-SHORTING
TRAVEL	2mm
OPERATING FORCE	250±100gf
OPERATING LIFE(cycles)	10,000

龙创中业电子（深圳）有限公司

UNITS	mm
MAT'L	SEE NOTE
FINISH	SEE NOTE
Q'TY	SEE NOTE
APPRD:	SEE NOTE

WITHIN 1.5mm: ±0.1mm
OVER 1.5mm: ±0.2mm

THESE DRAWINGS AND SPECIFICATIONS ARE THE PROPERTY OF ACCURATE INNOTECH INC. AND SHALL NOT BE REPRODUCED, COPIED OR TRANSMITTED IN ANY FORM OR BY ANY MEANS WITHOUT THE WRITTEN CONSENT OF ACCURATE INNOTECH INC.

8	STEEL BALL	STEEL	1	NATURAL	WITHIN 1.5mm: ±0.1mm OVER 1.5mm: ±0.2mm	UNITS	mm
7	SPRING	STEEL WIRE	1	NATURAL		MAT'L	SEE NOTE
6	CONTACT CLIP	PBS STRIP	2	AG PLATED		FINISH	SEE NOTE
5	TERMINAL	BRASS STRIP	8	AG PLATED		Q'TY	SEE NOTE
4	BASE	PHENOLIC RESIN	1	NATURAL		APPRD:	SEE NOTE
3	KNOB	POM	1	BLACK		CHKD:	2016/07/11
2	FRAME	STEEL STRIP	1	Ni PLATED		DR:	2016/07/11
1	PARTS	MATERIAL	Q'TY	FINISHING		TITLE:	SLIDE SWITCH / HORIZONTAL
						PART NO.:	SK-23D01
						DWG NO.:	ADL-23D01
						SCALE	SHEET 1/1
						REV.	A
						CUSTOMER	DRAWING

REV.	ECN.	NO.	APPL.