



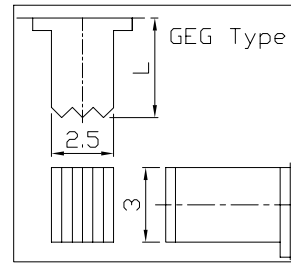
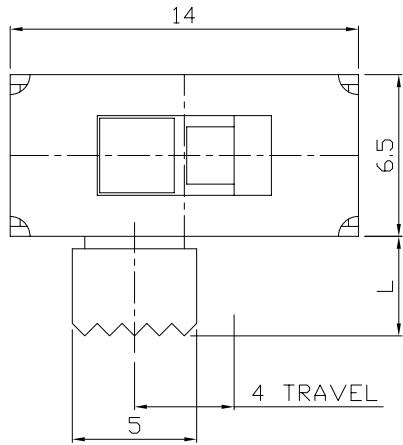
RoHS  
Compliant  
2002/95/EC

### MODEL CODE

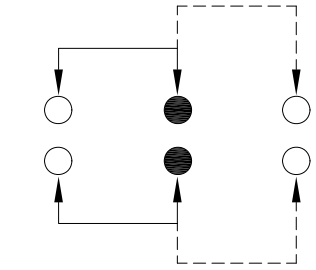
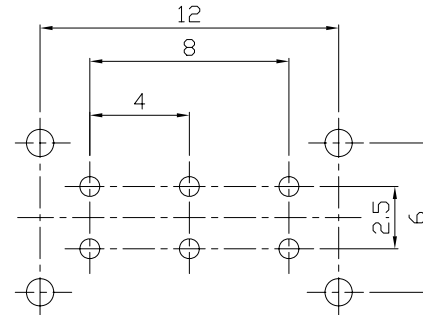
SK-22H19-GEP

| REV. | ECN. NO. | APPD. |
|------|----------|-------|
|      |          |       |
|      |          |       |

### DIMENSIONS

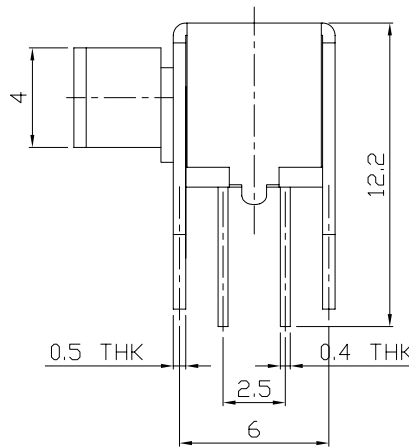
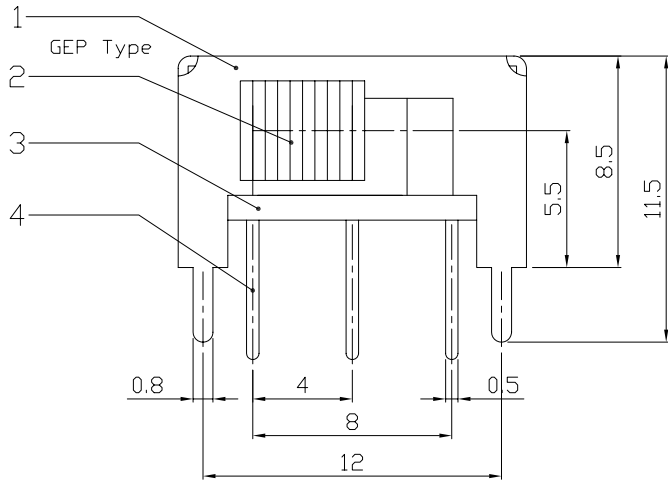


| Knob Type | L(mm) |
|-----------|-------|
| GEP       | ~     |
| GEG       | ~     |



P.C.B LAYOUT  
BOTTOM VIEW

CIRCUIT DIAGRAM



### ELECTRO-MECHANICAL CHARACTERISTICS

Refer to additional specifications

|                        |              |
|------------------------|--------------|
| RATING                 | 0.3A 30V DC  |
| CIRCUIT                | 2P2T         |
| CONTACT RESISTANCE     | 30mΩ MAX.    |
| TIMING                 | NON-SHORTING |
| TRAVEL                 | 4mm          |
| OPERATING FORCE        | 200±100gf    |
| OPERATING LIFE(cycles) | 10,000       |

|     |              |                |      |                          |
|-----|--------------|----------------|------|--------------------------|
| 8   |              |                |      |                          |
| 7   | STEEL BALL   | STEEL          | 1    | NATURAL                  |
| 6   | SPRING       | STEEL WIRE     | 1    | NATURAL                  |
| 5   | CONTACT CLIP | PBS C5210R-EH  | 2    | Ag CLAD                  |
| 4   | TERMINAL     | BRASS STRIP    | 6    | Ag PLATED OVER Ni PLATED |
| 3   | BASE         | PHENOLIC RESIN | 1    | NATURAL                  |
| 2   | KNOB         | POM            | 1    | BLACK                    |
| 1   | FRAME        | STEEL STRIP    | 1    | Ni PLATED                |
| NO. | PARTS        | MATERIAL       | Q'TY | FINISHING                |

WITHIN 1.5mm: ±0.1mm  
OVER 1.5mm: ±0.2mm

THESE DRAWINGS AND SPECIFICATIONS ARE THE PROPERTY OF ACCURATE INNOVATECH INC AND SHALL NOT BE REPRODUCED, COPIED OR USED IN ANY MANNER WITHOUT THE PRIOR WRITTEN CONSENT OF ACCURATE INNOVATECH INC.

|        |          |
|--------|----------|
| UNITS  | mm       |
| MAT'L  | SEE NOTE |
| FINISH | SEE NOTE |
| Q'TY   |          |

## 龙创中业电子（深圳）有限公司

|        |                           |                  |           |
|--------|---------------------------|------------------|-----------|
| TITLE: | SLIDE SWITCH / HORIZONTAL | PART NO.:        | SK-22H19  |
| DR:    | Ricky 2015/12/16          | DWG NO.:         | ADJ-22H19 |
| CHKD:  | Ricky 2015/12/16          | SCALE            | 3:1       |
| APPD:  |                           | SHEET            | 1/1       |
|        |                           | REV.             | A         |
|        |                           | CUSTOMER DRAWING |           |