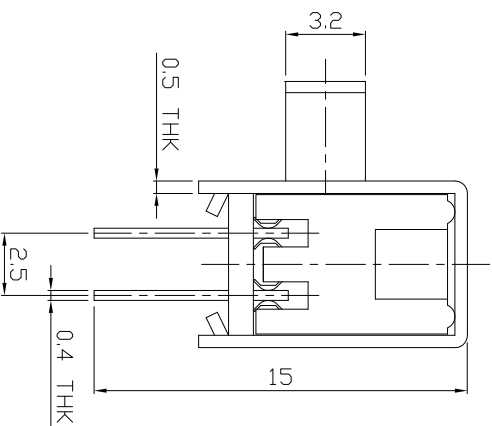
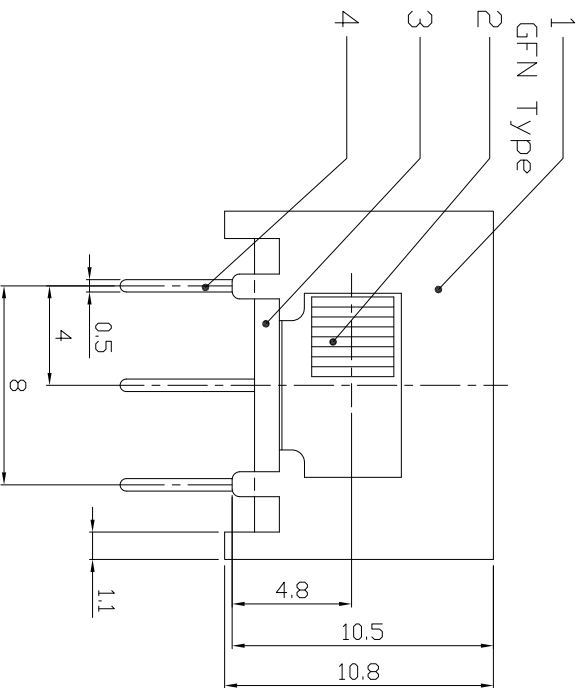
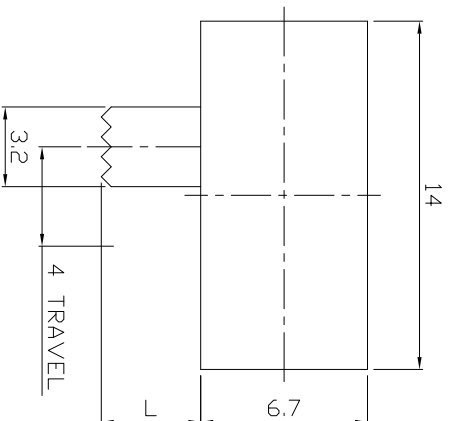
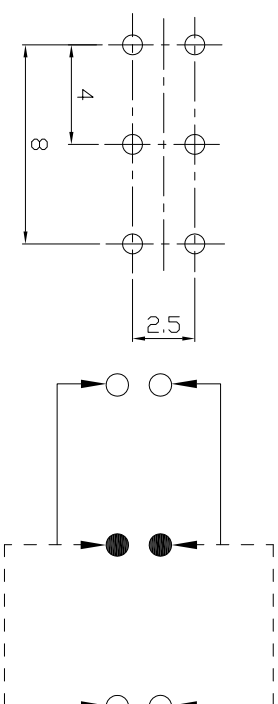
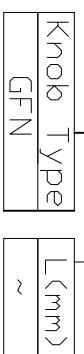


DIMENSIONS



MODEL CODE

SK-22H02-GFN



P.C.B LAYOUT

BOTTOM VIEW

CIRCUIT DIAGRAM

ELECTRO-MECHANICAL CHARACTERISTICS

Refer to additional specifications

RATING	0.3A 50V DC
CIRCUIT	2P2T
CONTACT RESISTANCE	100mΩ MAX.
TIMING	NON-SHORTING
TRAVEL	2mm
OPERATING FORCE	250±100gf
OPERATING LIFE(cycles)	10,000

8	STEEL BALL	STEEL	1	NATURAL
7	SPRING	STEEL WIRE	1	NATURAL
6	CONTACT CLIP	PBS STRIP	2	Ag PLATED
5	TERMINAL	BRASS STRIP	6	Ag PLATED
4	BASE	PHENOLIC RESIN	1	NATURAL
3	KNOB	POM	1	BLACK
2	FRAME	STEEL STRIP	1	Ni PLATED
1	PARTS	MATERIAL	Q'TY	FINISHING

WITHIN 1.5mm: ±0.1mm  
OVER 1.5mm: ±0.2mm

UNITS mm  
MATERIAL SEE NOTE  
FINISH SEE NOTE

龙创中业电子 (深圳) 有限公司

TITLE: SLIDE SWITCH / HORIZONTAL  
PART NO.: SK-22H02

DR: Ricky 2016/06/27 DWG NO.: ADL-22H02  
CHKD: Ricky 2016/06/27 SCALE SHEET REV. 3/1 1/1 A CUSTOMER DRAWING  
APPD:

REV.	ECN.	NO.	APPL.