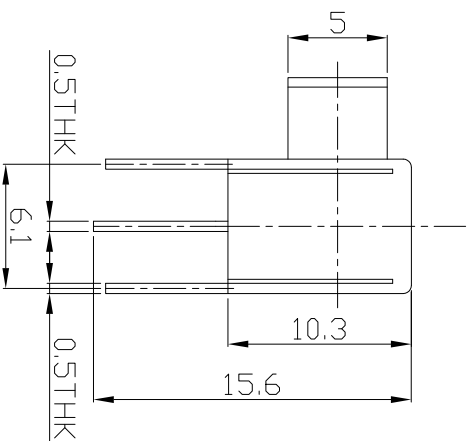
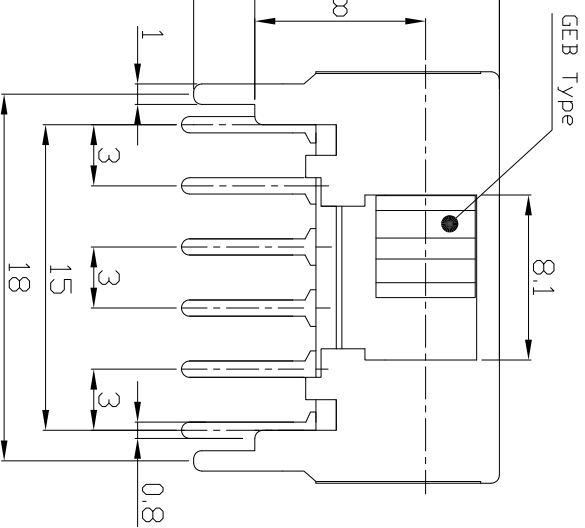
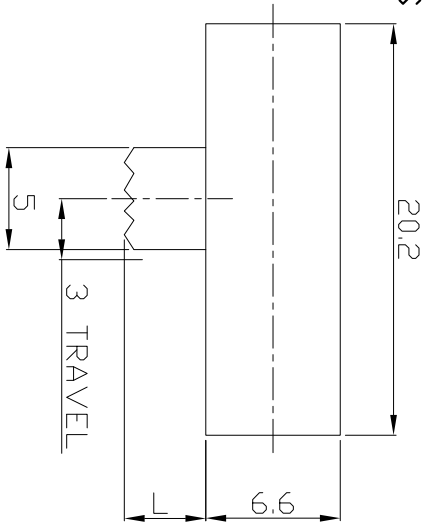
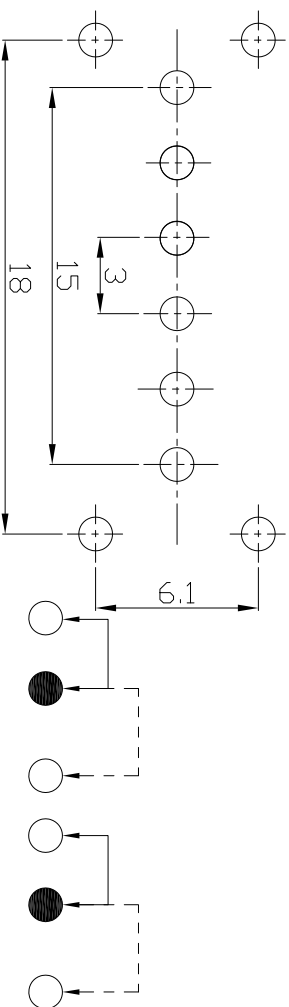
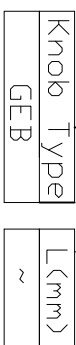


DIMENSIONS



MODEL CODE

SK-22F06-GEB



P.C.B LAYOUT
BOTTOM VIEW

CIRCUIT DIAGRAM

ELECTRO-MECHANICAL CHARACTERISTICS

Refer to additional specifications

RATING	0.5A 50V DC
CIRCUIT	2P2T
CONTACT RESISTANCE	100mΩ MAX.
TIMING	NON-SHORTING
TRAVEL	3mm
OPERATING FORCE	200±100gf
OPERATING LIFE(cycles)	10,000

8	STEEL BALL	STEEL	1	NATURAL	WITHIN 1.5mm: ±0.1mm	UNITS	mm
7	SPRING	STEEL WIRE	1	NATURAL	OVER 1.5mm: ±0.2mm	MAT'L	SEE NOTE
6	CONTACT	BRASS	2	AG PLATED		FINISH	SEE NOTE
5	TERMINAL	BRASS STRIP	6	AG PLATED		SEE NOTE	
4	BASE	PHENOLIC RESIN	1	BLACK		Q'TY	1
3	KNOB	PA66	1	BLACK		CHK'D:	2016/02/18
2	FRAME	STEEL STRIP	1	Ni PLATED		APP'D:	2016/02/18
1	PARTS	MATERIAL	Q'TY	FINISHING		SCALE	1/1

龙创中业电子（深圳）有限公司

TITLE: SLIDE SWITCH / HORIZONTAL
PART NO.: SK-22F06

DR: 2016/02/18
DWG NO.: ADL-22F06

REV. ECN. NO. APPD.
SCALE SHEET REV. CUSTOMER DRAWING