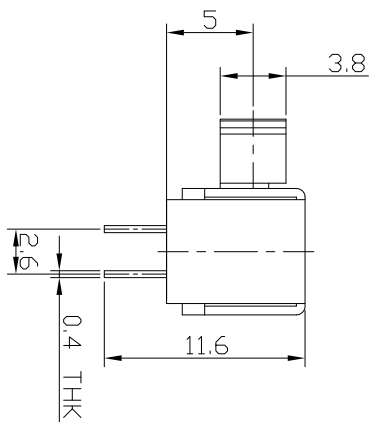
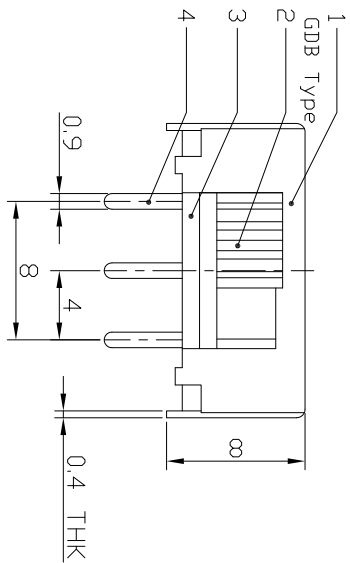
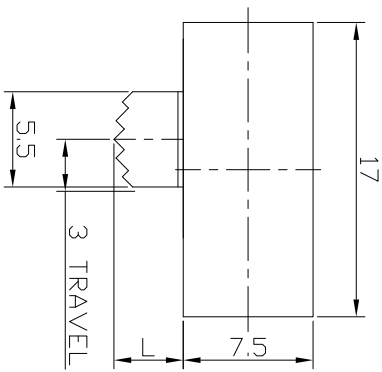




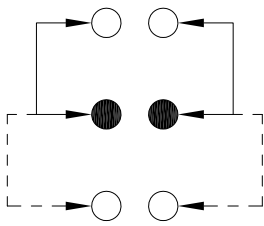
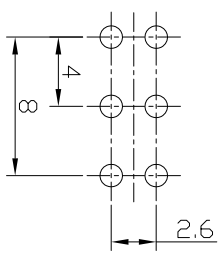
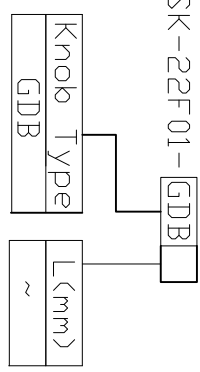
**RoHS**  
Compliant  
2002/95/EC

**DIMENSIONS**



**MODEL CODE**

SK-22F01-GDB



**P.C.B LAYOUT**

**BOTTOM VIEW**

**CIRCUIT DIAGRAM**

**ELECTRO-MECHANICAL CHARACTERISTICS**

Refer to additional specifications

RATING	0.5A 50V DC
CIRCUIT	2P2T
CONTACT RESISTANCE	100mΩ MAX.
TIMING	NON-SHORTING
TRAVEL	3mm
OPERATING FORCE	200±80gF
OPERATING LIFE(cycles)	10,000

**龙创中业电子（深圳）有限公司**

TITLE: 龙创中业电子 / HORIZONTAL  
PART NO.: SK-22F01

DR: 2016/06/24  
CHKD: 2016/06/24  
SCALE: 2:1  
SHEET: 1/1  
REV: A

NO.	PARTS	MATERIAL	Q'TY	FINISHING	UNITS	mm
8					WITHIN 1.5mm: ±0.1mm	
7	SPRING	STEEL WIRE	2	NATURAL	OVER 1.5mm: ±0.2mm	
6	CONTACT	BRASS STRIP	2	AG PLATED		
5	CONTACT	BRASS STRIP	6	AG PLATED		
4	TERMINAL	PHENOLIC RESIN	1	NATURAL		
3	BASE	POM	1	BLACK		
2	KNOB	STEEL STRIP	1	Ni PLATED		
1	FRAME	STEEL STRIP	1	FINISHING		

THESE DRAWINGS AND SPECIFICATIONS ARE THE PROPERTY OF ACCURATE INNOTECH INC. AND SHALL NOT BE REPRODUCED, COPIED AND/OR TRANSMITTED IN ANY FORM OR BY ANY MEANS WITHOUT THE WRITTEN CONSENT OF ACCURATE INNOTECH INC.

REV.	ECN.	NO.	APPL.