



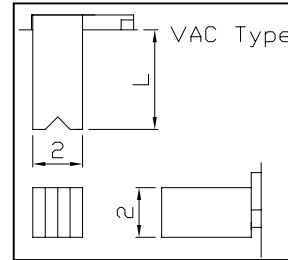
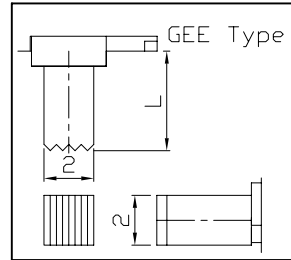
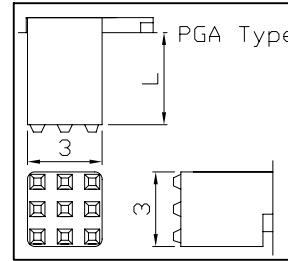
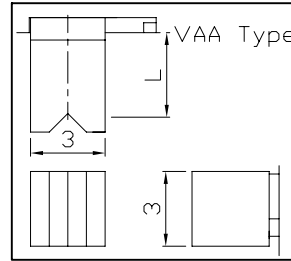
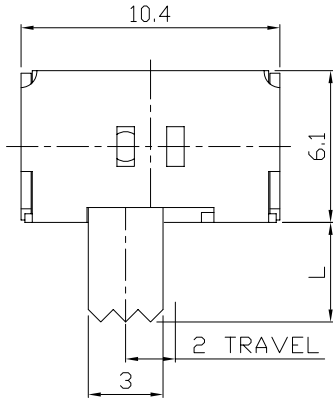
RoHS
Compliant
2002/95/EC

MODEL CODE

SK-22D12-GEI

REV.	ECN.	NO.	APPD.

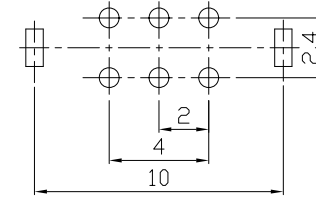
DIMENSIONS



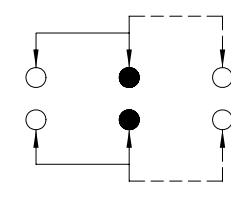
Knob Type

GEI
VAA
PGA
GEE
VAC

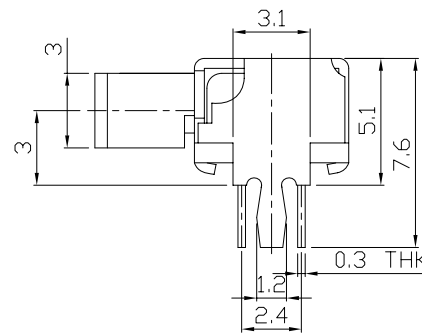
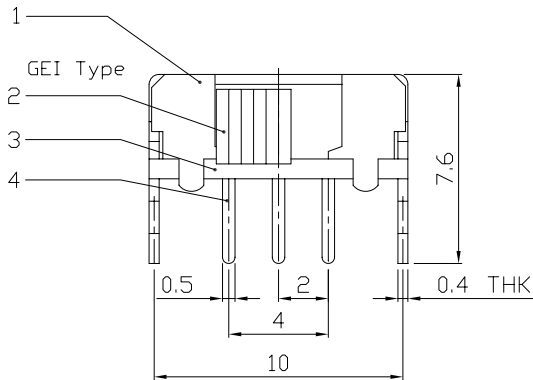
L(mm)
~



P.C.B LAYOUT
BOTTOM VIEW



CIRCUIT DIAGRAM



ELECTRO-MECHANICAL CHARACTERISTICS

Refer to additional specifications

RATING	0.3A 30V DC
CIRCUIT	2P2T
CONTACT RESISTANCE	30mΩ MAX.
TIMING	SHORTING
TRAVEL	2mm
OPERATING FORCE	200±100gf
OPERATING LIFE(cycles)	10,000

NO.	PARTS	MATERIAL	Q'TY	FINISHING
8				
7				WITHIN 1.5mm: ±0.1mm
6	CONTACT CLIP	PBS C5210R-EH	2	Ag CLAD
5	SPRING PLATE	STAINLESS STEEL	1	NATURAL
4	TERMINAL	BRASS STRIP	6	Ag PLATED OVER Ni PLATED
3	BASE	PHENOLIC RESIN	1	NATURAL
2	KNOB	POM	1	BLACK
1	FRAME	STEEL STRIP	1	Ni PLATED
NO.	PARTS	MATERIAL	Q'TY	FINISHING

THESE DRAWINGS AND SPECIFICATIONS ARE THE PROPERTY OF ACCURATE INNOTECH INC AND SHALL NOT BE REPRODUCED, COPIED OR USED IN ANY MANNER WITHOUT THE PRIOR WRITTEN CONSENT OF ACCURATE INNOTECH INC.

UNITS	mm
MAT'L	SEE NOTE
FINISH	SEE NOTE
Q'TY	

龙创中业电子(深圳)有限公司

TITLE:	SLIDE SWITCH / HORIZONTAL	PART NO.:	SK-22D12
DR:	Ricky 2015/12/11	DWG NO.:	ADJ-22D12
CHKD:	Ricky 2015/12/11	SCALE	4:1
APPD:		SHEET	1/1
		REV.	A
		CUSTOMER DRAWING	