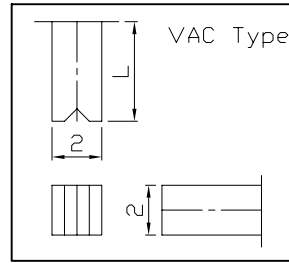
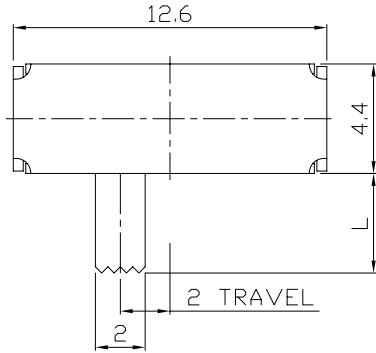




RoHS  
Compliant  
2002/95/EC

REV.	ECN.	NO.	APPD.

### DIMENSIONS

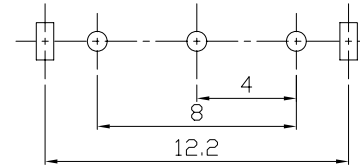


### MODEL CODE

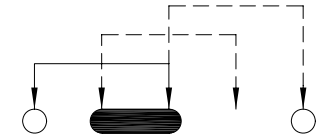
SK-13D02-**GEE**

Knob Type
GEE
VAC

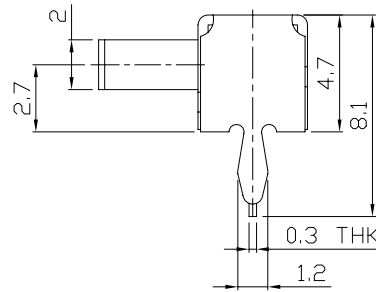
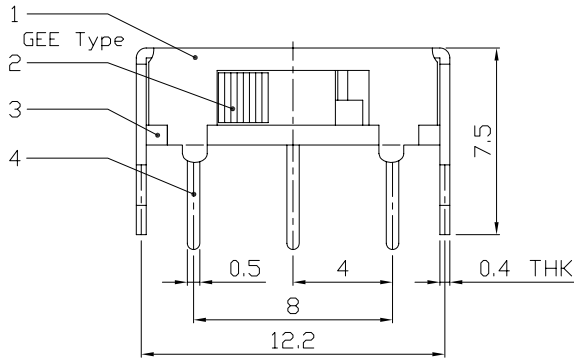
L(mm)
~



P.C.B LAYOUT  
BOTTOM VIEW



CIRCUIT DIAGRAM



### ELECTRO-MECHANICAL CHARACTERISTICS

Refer to additional specifications

RATING	0.3A 30V DC
CIRCUIT	1P3T
CONTACT RESISTANCE	30mΩ MAX.
TIMING	SHORTING
TRAVEL	2mm
OPERATING FORCE	<T1→T2 T3→T2>200±100gf <T2→T3 T2→T1>300±100gf
OPERATING LIFE(cycles)	10,000

8					
7					
6	SPRING PLATE	SUS	1	NATURAL	
5	CONTACT CLIP	PBS C5210R-EH	1	Ag CLAD	
4	TERMINAL	BRASS STRIP	3	Ag PLATED OVER Ni PLATED	
3	BASE	PHENOLIC RESIN	1	NATURAL	
2	KNOB	POM	1	BLACK	
1	FRAME	STEEL STRIP	1	Ni PLATED	
NO.	PARTS	MATERIAL	Q'TY	FINISHING	

WITHIN 1.5mm: ±0.1mm  
OVER 1.5mm: ±0.2mm

THESE DRAWINGS AND SPECIFICATIONS ARE THE PROPERTY OF ACCURATE INNO TECH INC AND SHALL NOT BE REPRODUCED, COPIED OR USED IN ANY MANNER WITHOUT THE PRIOR WRITTEN CONSENT OF ACCURATE INNO TECH INC.

UNITS	mm
MAT'L	SEE NOTE
FINISH	SEE NOTE
Q'TY	

**龙创中业电子(深圳)有限公司**

TITLE: SLIDE SWITCH / HORIZONTAL  
DR: *Ricky* 2015/12/08  
CHKD: *Ricky* 2015/12/08  
APPD:

PART NO.:	SK-13D02		
DWG NO.:	ADJ-13D02		
SCALE	SHEET	REV.	CUSTOMER DRAWING
4:1	1/1	A	