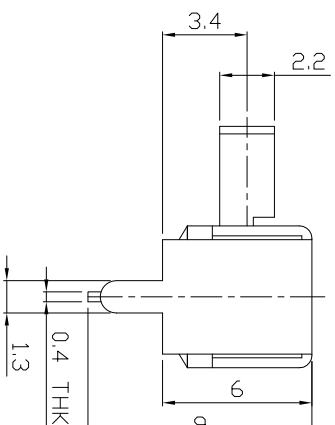
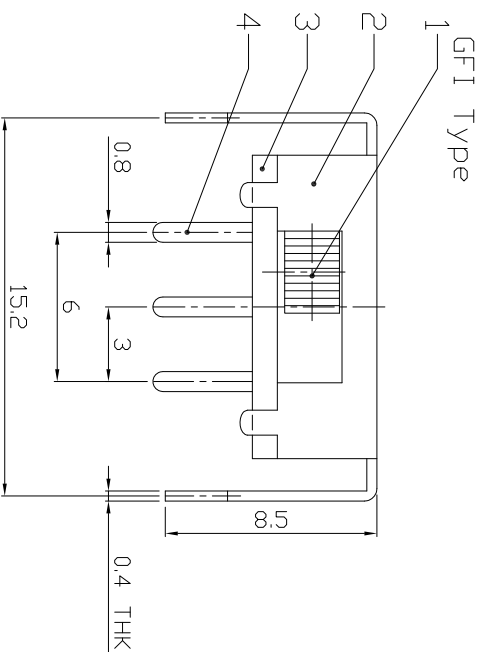
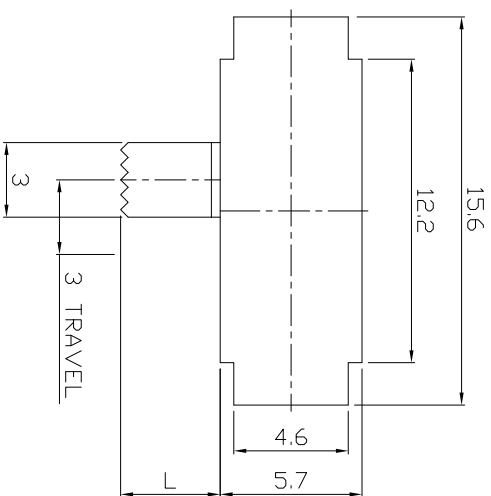




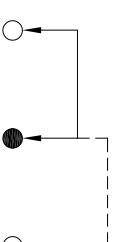
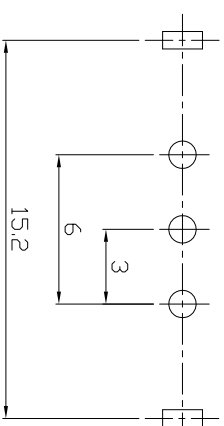
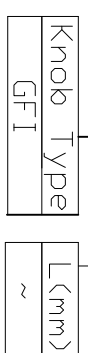
RoHS
Compliant
2002/95/EC

DIMENSIONS



MODEL CODE

SK-12F02-GFI



P.C.B LAYOUT BOTTOM VIEW

CIRCUIT DIAGRAM

ELECTRO-MECHANICAL CHARACTERISTICS

Refer to additional specifications

RATING	0.5A 50V DC
CIRCUIT	1P2T
CONTACT RESISTANCE	100mΩ MAX.
TIMING	NON-SHORTING
TRAVEL	3mm
OPERATING FORCE	180±80gf
OPERATING LIFE(cycles)	10,000

8									
7	SPRING	BRASS STRIP	1	Ag PLATED	WITHIN 1.5mm: ±0.1mm	UNITS	mm		
6	CONTACT	STEEL STRIP	1	NATURAL	OVER 1.5mm: ±0.2mm	MAT'L	SEE NOTE		
5	TERMINAL	BRASS STRIP	3	Ag PLATED		FINISH	SEE NOTE		
4	BASE	PHENOLIC RESIN	1	NATURAL		SEE NOTE			
3	FRAME	STEEL STRIP	1	Ni PLATED		Q'TY			
2	KNDB	POM	1	BLACK		APP'D:			
1	PARTS	MATERIAL	1	FINISHING					

龙创中业电子（深圳）有限公司

TITLE: SLIDE SWITCH / HORIZONTAL
PART NO.: SK-12F02

DR: 2016/06/22
CHKD: 2016/06/22
SCALE: 3/1

DWG NO.: ADL-12F02
SHEET: 1/1
REV: A
CUSTOMER DRAWING

REV.	ECN.	NO.	APPL.