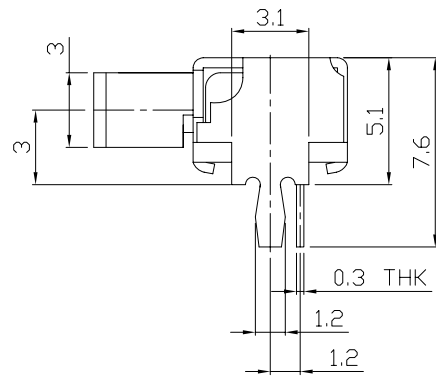
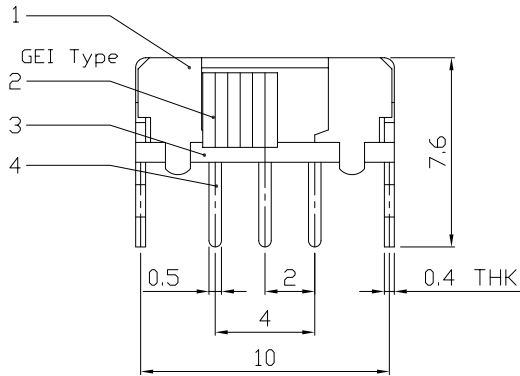
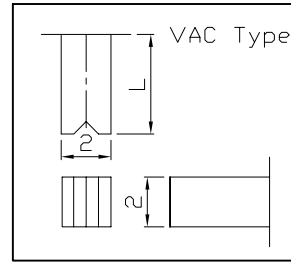
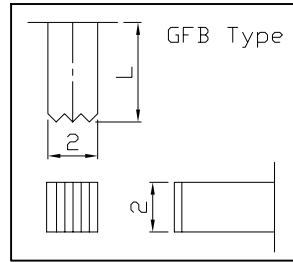
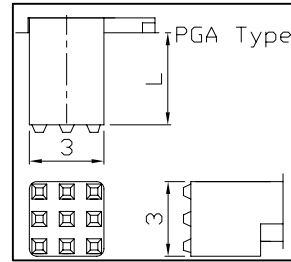
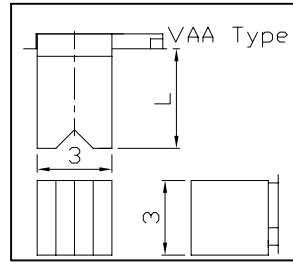
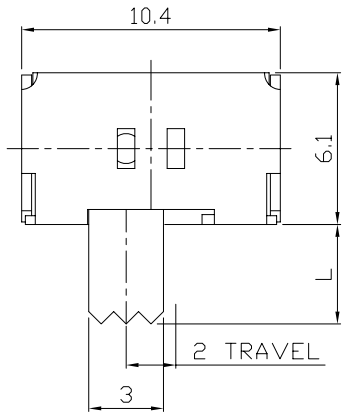




RoHS
Compliant
2002/95/EC

DIMENSIONS

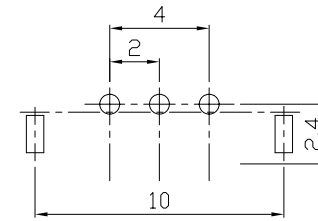


MODEL CODE

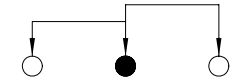
SK-12D19-GEI

Knob Type
GEI
VAA
PGA
GFB
VAC

L(mm)
~



P.C.B LAYOUT
BOTTOM VIEW



CIRCUIT DIAGRAM

ELECTRO-MECHANICAL CHARACTERISTICS

Refer to additional specifications

RATING	0.3A 50V DC
CIRCUIT	1P2T
CONTACT RESISTANCE	30mΩ MAX.
TIMING	NON-SHORTING
TRAVEL	2mm
OPERATING FORCE	200±100gf
OPERATING LIFE(cycles)	10,000

8					WITHIN 1.5mm: ±0.1mm	UNITS	mm
7					OVER 1.5mm: ±0.2mm	MAT'L	
6	CONTACT CLIP	PBS C5210R-EH	1	Ag CLAD		SEE NOTE	
5	SPRING PLATE	SUS	1	NATURAL		FINISH	
4	TERMINAL	BRASS STRIP	3	Ag PLATED OVER Ni PLATED		SEE NOTE	
3	BASE	PHENOLIC RESIN	1	NATURAL		Q'TY	
2	KNOB	POM	1	BLACK			
1	FRAME	STEEL STRIP	1	Ni PLATED			
NO.	PARTS	MATERIAL	Q'TY	FINISHING			

THESE DRAWINGS AND SPECIFICATIONS ARE THE PROPERTY OF ACCURATE INNOTECH INC AND SHALL NOT BE REPRODUCED, COPIED OR USED IN ANY MANNER WITHOUT THE PRIOR WRITTEN CONSENT OF ACCURATE INNOTECH INC.

龙创中业电子(深圳)有限公司

TITLE: SLIDE SWITCH / HORIZONTAL PART NO.: SK-12D19

DR: Ricky 2015/12/04 DWG NO.: ADJ-12D19

CHKD: Ricky 2015/12/04

APPD:

SCALE	SHEET	REV.	CUSTOMER DRAWING
4:1	1/1	A	