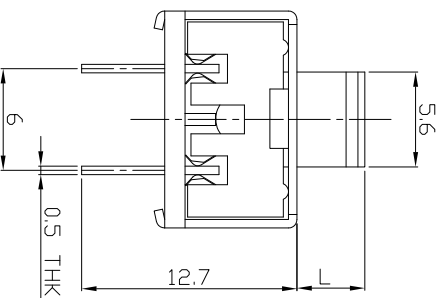
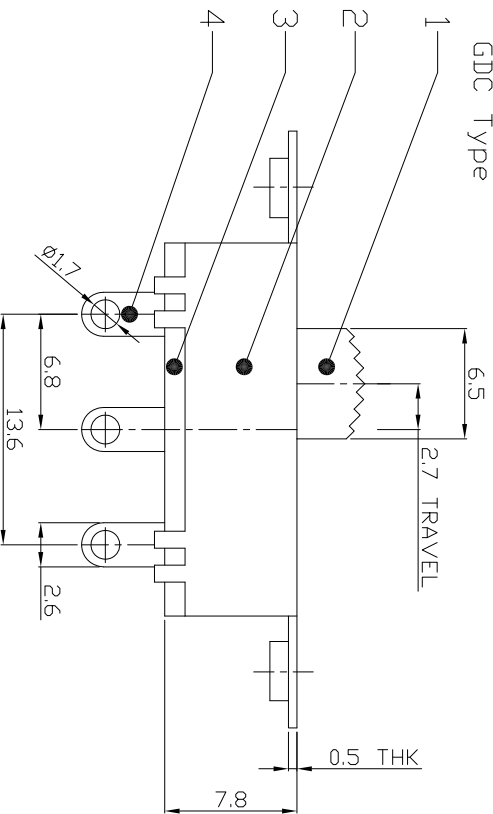
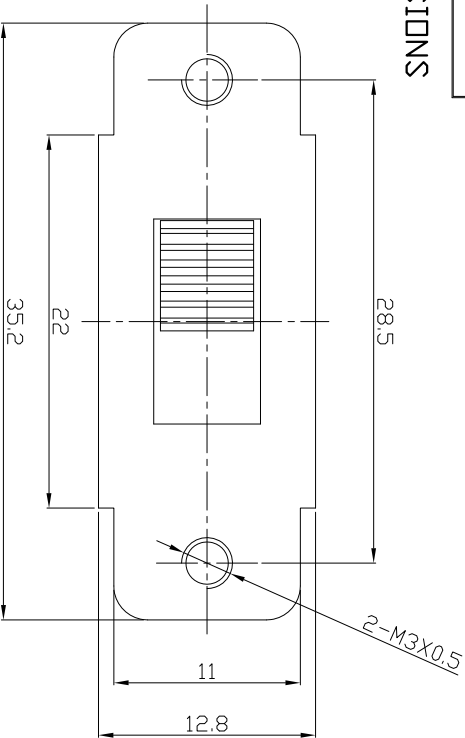
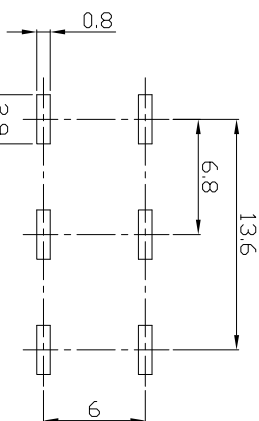
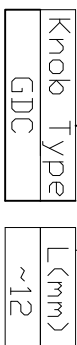


DIMENSIONS

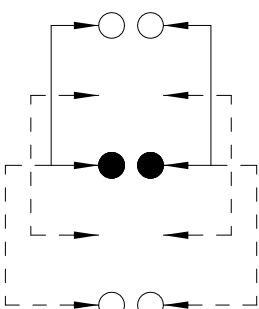


MODEL CODE

SS-23E29-GDC



CIRCUIT DIAGRAM



P.C.B LAYOUT  
BOTTOM VIEW

ELECTRO-MECHANICAL CHARACTERISTICS

Refer to additional specifications

RATING	3A 250V AC/6A 125V AC
CIRCUIT	2P3T
CONTACT RESISTANCE	100mΩ MAX.
TIMING	NON-SHORTING
TRAVEL	2.7mm
OPERATING FORCE	350±100gf
OPERATING LIFE(cycles)	10,000

8	CONTACT CLIP	PBS STRIP	2	AG PLATED
7	POSITION PLATE	STEEL STRIP	1	NI PLATED
6	STEEL BALL	STEEL	1	NATURAL
5	SPRING	STEEL WIRE	1	NATURAL
4	TERMINAL	BRASS STRIP	6	AG PLATED
3	BASE	PHENOLIC RESIN	1	NATURAL
2	FRAME	STEEL STRIP	1	NI PLATED
1	KNDB	POM	1	BLACK
ND.	PARTS	MATERIAL	Q'TY	FINISHING

龙创中业电子（深圳）有限公司

TITLE: SLIDE SWITCH / VERTICAL

DR: Ricky 2015/09/08

PART NO.: SS-23E29

CHKD: Ricky 2015/09/08

DWG NO.: ADL-23E29

SCALE: 1/1

REV. A

APPD: CUSTOMER DRAWING

UNIT: mm

FINISH: SEE NOTE

WITHIN 1.5mm: ±0.1mm  
OVER 1.5mm: ±0.2mm

THESE DRAWINGS AND SPECIFICATIONS ARE THE PROPERTY OF ACCURATE INNOTECH INC. AND SHALL NOT BE REPRODUCED, COPIED OR TRANSMITTED IN ANY FORM OR BY ANY MEANS WITHOUT THE WRITTEN CONSENT OF ACCURATE INNOTECH INC.