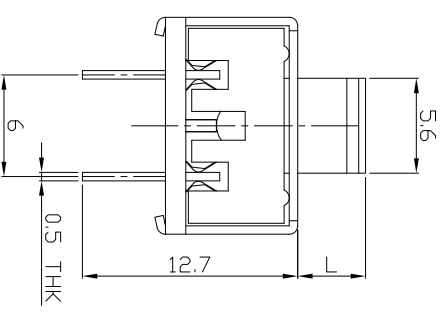
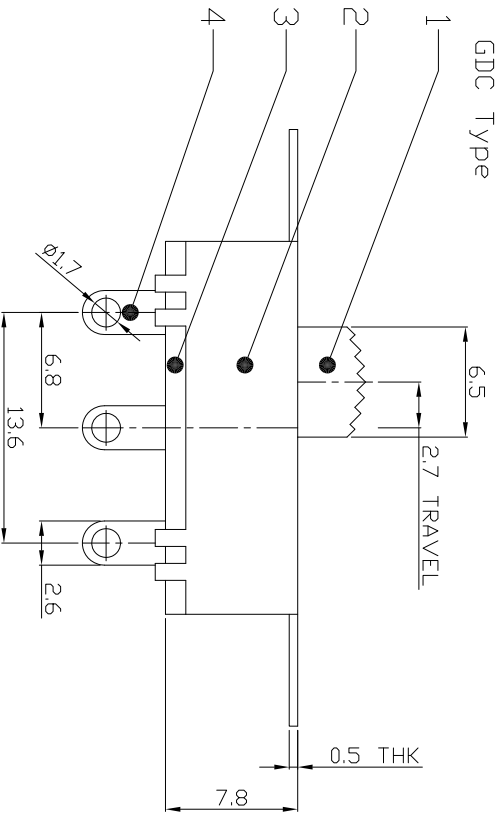
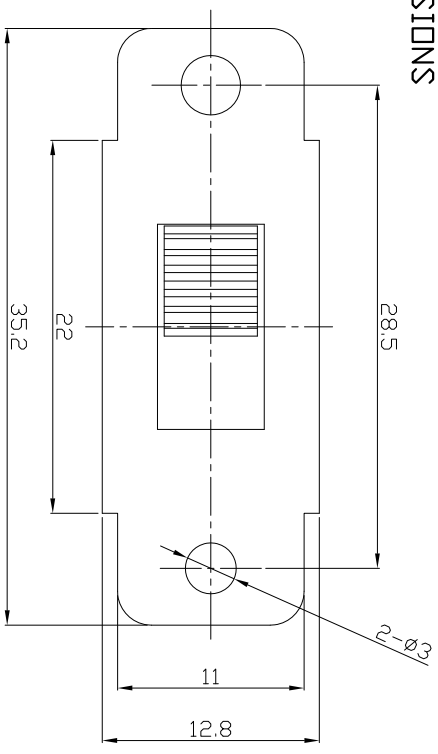
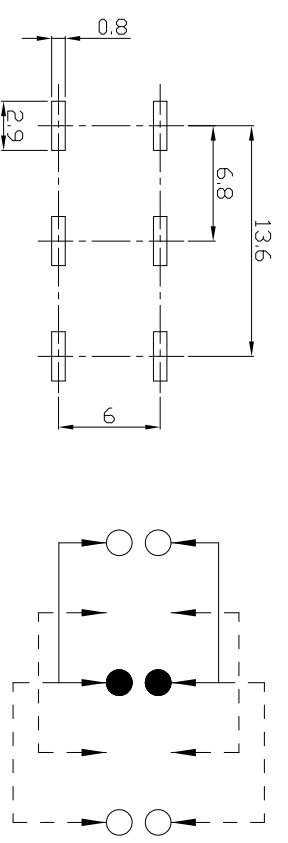
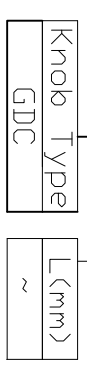


DIMENSIONS



MODEL CODE

SS-23E28-GDC



P.C.B LAYOUT
BOTTOM VIEW

CIRCUIT DIAGRAM

ELECTRO-MECHANICAL CHARACTERISTICS

Refer to additional specifications

RATING	15A 250V AC
CIRCUIT	2P3T
CONTACT RESISTANCE	100mΩ MAX.
TIMING	NON-SHORTING
TRAVEL	2.7mm
OPERATING FORCE	400±100gf
OPERATING LIFE(cycles)	10,000

8	CONTACT CLIP	PBS STRIP	2	AG PLATED	WITHIN 1.5mm: ±0.1mm OVER 1.5mm: ±0.2mm	UNITS	mm
7	POSITION PLATE	STEEL STRIP	1	NI PLATED		MAT'L	SEE NOTE
6	STEEL BALL	STEEL	1	NATURAL		SEE NOTE	
5	SPRING	STEEL WIRE	1	NATURAL		FINISH	SEE NOTE
4	TERMINAL	BRASS STRIP	6	AG PLATED		DR:	Rocky 2015/09/08
3	BASE	PHENOLIC RESIN	1	NATURAL		CHKD:	Rocky 2015/09/08
2	FRAME	STEEL STRIP	1	NI PLATED		Q'TY	1
1	KNDB	POM	1	BLACK		APP'D:	21
ND.	PARTS	MATERIAL	Q'TY	FINISHING	THESE DRAWINGS AND SPECIFICATIONS ARE THE PROPERTY OF ACCURATE INNOTECH INC. AND SHALL NOT BE REPRODUCED, COPIED OR TRANSMITTED IN ANY FORM OR BY ANY MEANS WITHOUT THE WRITTEN CONSENT OF ACCURATE INNOTECH INC.		

龙创中业电子（深圳）有限公司

TITLE: SLIDE SWITCH / VERTICAL
PART NO.: SS-23E28

DWG NO.: ADL-23E28

SCALE: 1/1
SHEET: 1/A
REV. A
CUSTOMER DRAWING

REV.	ECN.	NO.	APPL.