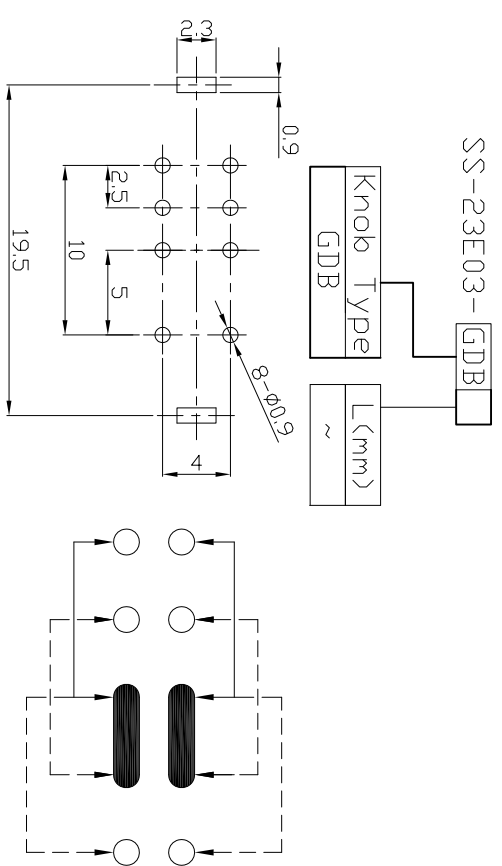
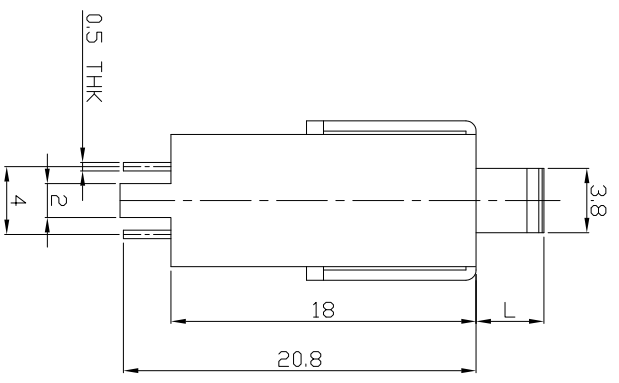
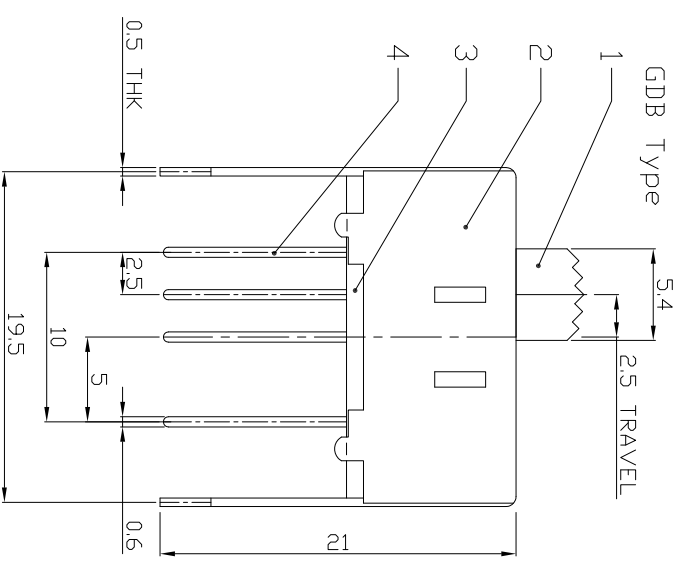
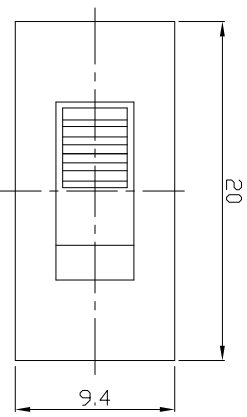


DIMENSIONS



MODEL CODE

SS-23E03-GDB

Knob Type  
GDB  
L(mm)  
~

P.C.B LAYOUT  
BOTTOM VIEW

CIRCUIT DIAGRAM

ELECTRO-MECHANICAL CHARACTERISTICS

Refer to additional specifications

RATING	0.3A 50V DC
CIRCUIT	2P3T
CONTACT RESISTANCE	100mΩ MAX.
TIMING	SHORTING
TRAVEL	2.5mm
OPERATING FORCE	200±80gf
OPERATING LIFE(cycles)	10,000

8	STEEL BALL	STEEL	2	NATURAL	WITHIN 1.5mm: ±0.1mm	UNITS	mm
7	SPRING	STEEL WIRE	1	NATURAL	OVER 1.5mm: ±0.2mm	MAT'L	SEE NOTE
6	CONTACT CLIP	PBS STRIP	2	Ag PLATED		FINISH	SEE NOTE
5	CONTACT CLIP	PBS STRIP	2	Ag PLATED		FINISH	SEE NOTE
4	TERMINAL	BRASS STRIP	8	Ag PLATED		FINISH	SEE NOTE
3	BASE	PHENOLIC RESIN	1	NATURAL		FINISH	SEE NOTE
2	FRAME	STEEL STRIP	1	Ni PLATED		FINISH	SEE NOTE
1	KNDB	POM	1	BLACK		Q'TY	1
ND.	PARTS	MATERIAL	Q'TY	FINISHING		APP'D:	

龙创中业电子（深圳）有限公司

TITLE: SLIDE SWITCH / VERTICAL  
PART NO.: SS-23E03

DR: Ricky 2015/09/08  
CHKD: Ricky 2015/09/08  
SCALE: 1/1

DWG NO.: ADL-23E03  
REV. A  
CUSTOMER DRAWING

REV.	ECN.	NO.	APPD.