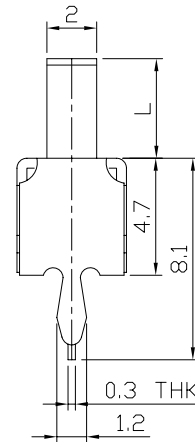
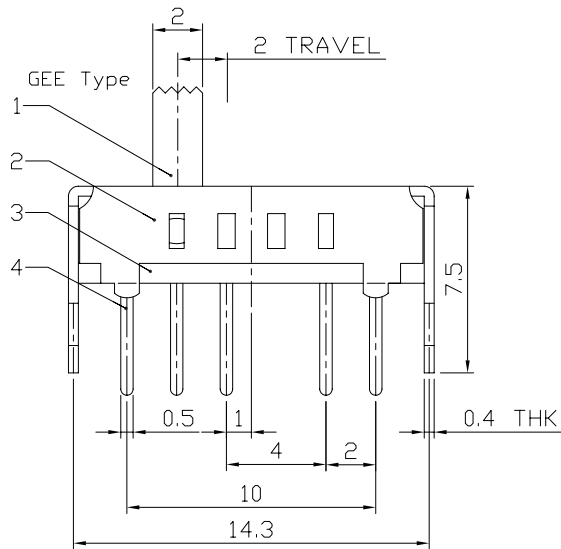
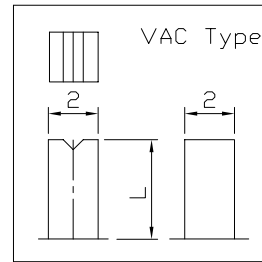
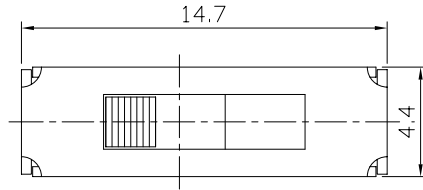




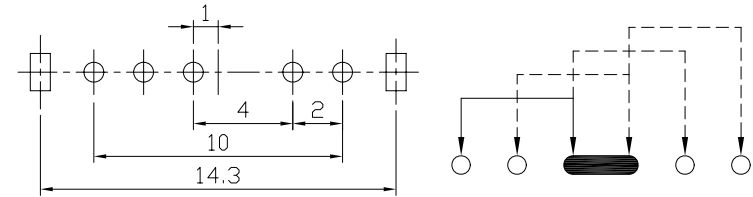
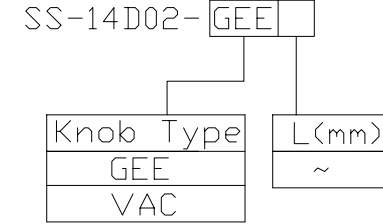
RoHS
Compliant
2002/95/EC

REV.	ECN.	NO.	APPD.

DIMENSIONS



MODEL CODE



P.C.B LAYOUT
BOTTOM VIEW

CIRCUIT DIAGRAM

ELECTRO-MECHANICAL CHARACTERISTICS

Refer to additional specifications

RATING	0.3A 50V DC
CIRCUIT	1P3T
CONTACT RESISTANCE	100mΩ MAX.
TIMING	SHORTING
TRAVEL	2mm
OPERATING FORCE	250±100gf
OPERATING LIFE(cycles)	10,000

8					WITHIN 1.5mm: ±0.1mm	UNITS	mm	龙创中业电子 (深圳) 有限公司
7					OVER 1.5mm: ±0.2mm	MAT'L		
6	SPRING PLATED	PBS STRIP	1	NATURAL		SEE NOTE		TITLE:
5	CONTACT CLIP	PBS STRIP	1	Ag PLATED				SLIDE SWITCH / VERTICAL
4	TERMINAL	BRASS STRIP	5	Ag PLATED				PART NO.:
3	BASE	PHENOLIC RESIN	1	NATURAL				SS-14D02
2	FRAME	STEEL STRIP	1	Ni PLATED				DR: <i>Ricky</i> 2015/05/26
1	KNOB	POM	1	BLACK				DWG NO.:
NO.	PARTS	MATERIAL	Q'TY	FINISHING				ADL-14D02
								SCALE
								4:1
								SHEET
								1/1
								REV.
								A
								CUSTOMER
								DRAWING

THESE DRAWINGS AND SPECIFICATIONS ARE THE PROPERTY OF ACCURATE INNOTECH INC AND SHALL NOT BE REPRODUCED, COPIED OR USED IN ANY MANNER WITHOUT THE PRIOR WRITTEN CONSENT OF ACCURATE INNOTECH INC.

