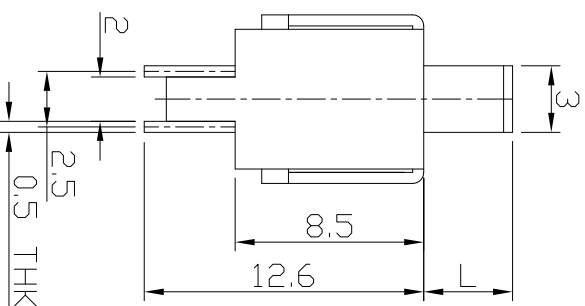
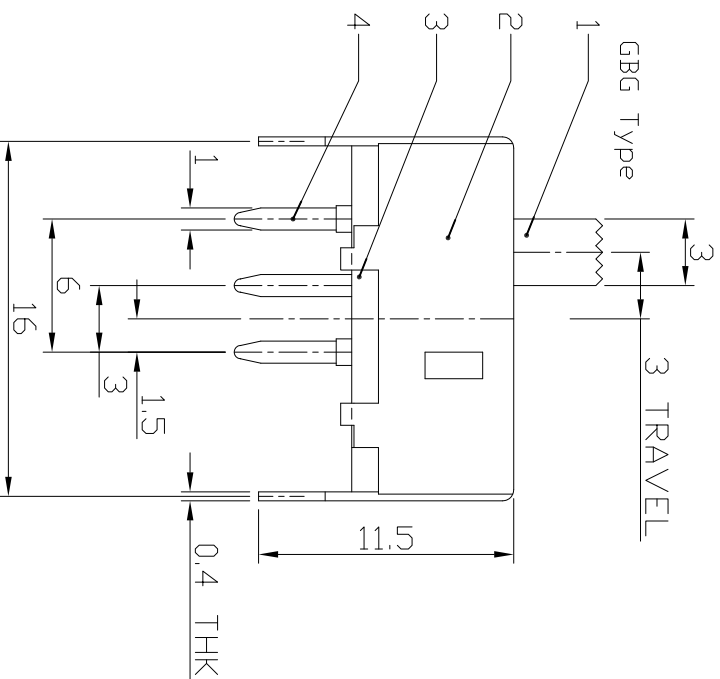
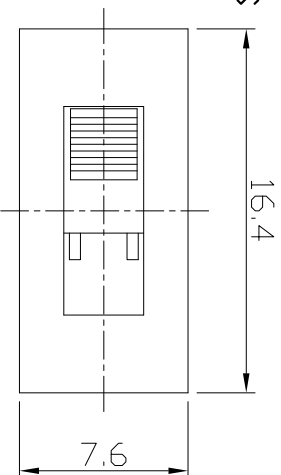
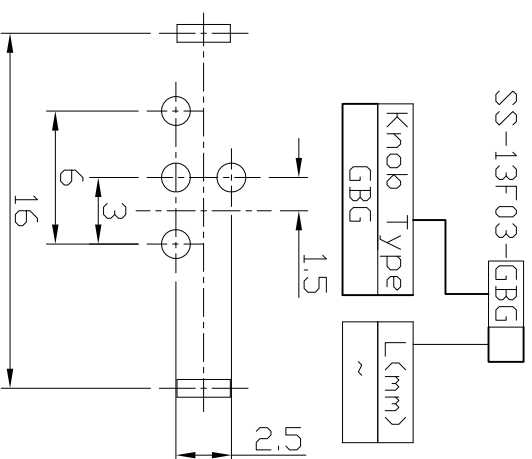


DIMENSIONS

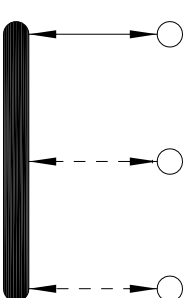


MODEL CODE

SS-13F03-GBG



CIRCUIT DIAGRAM



P.C.B LAYOUT  
BOTTOM VIEW

ELECTRO-MECHANICAL CHARACTERISTICS

Refer to additional specifications

RATING	0.5A 50V DC
CIRCUIT	1P3T
CONTACT RESISTANCE	100mΩ MAX.
TIMING	SHORTING
TRAVEL	3mm
OPERATING FORCE	300±100gf
OPERATING LIFE(cycles)	10,000

8	STEEL BALL	STEEL	2	NATURAL	WITHIN 1.5mm: ±0.1mm	UNITS	mm
7	SPRING	STEEL WIRE	2	NATURAL	OVER 1.5mm: ±0.2mm	MAT'L	SEE NOTE
6	CONTACT	BRASS STRIP	1	AG PLATED		FINISH	SEE NOTE
5	CONTACT	BRASS STRIP	1	AG PLATED		FINISH	SEE NOTE
4	TERMINAL	BRASS STRIP	4	AG PLATED		FINISH	SEE NOTE
3	BASE	PHENOLIC RESIN	1	BLACK		FINISH	SEE NOTE
2	FRAME	STEEL STRIP	1	NI PLATED		FINISH	SEE NOTE
1	KNDB	POM	1	BLACK		FINISH	SEE NOTE
ND.	PARTS	MATERIAL	Q'TY	FINISHING		APP'D	

龙创中业电子（深圳）有限公司

TITLE: SLIDE SWITCH / VERTICAL  
PART NO.: SS-13F03

DR: Ricky 2015/07/14  
CHKD: Ricky 2015/07/14  
SCALE: 1/1

DWG NO.: ADL-13F03  
SHEET: 1/1  
REV: A  
CUSTOMER DRAWING

REV.	ECN.	NO.	APP'D.