



RoHS
Compliant
2002/95/EC

REV.	ECN.	NO.	APPD.

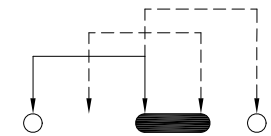
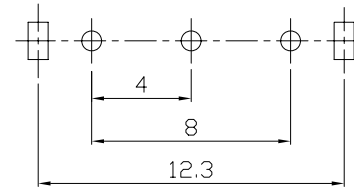
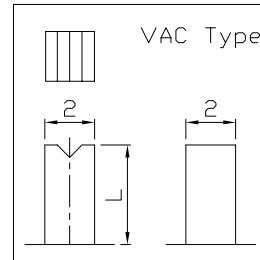
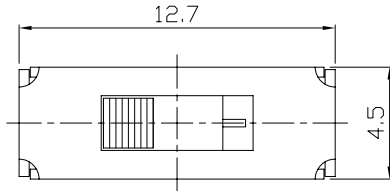
MODEL CODE

SS-13D10-GEE

Knob Type
GEE
VAC

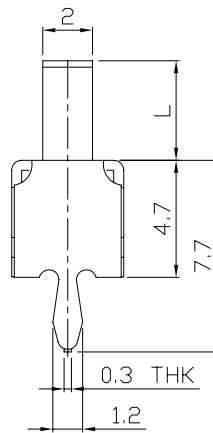
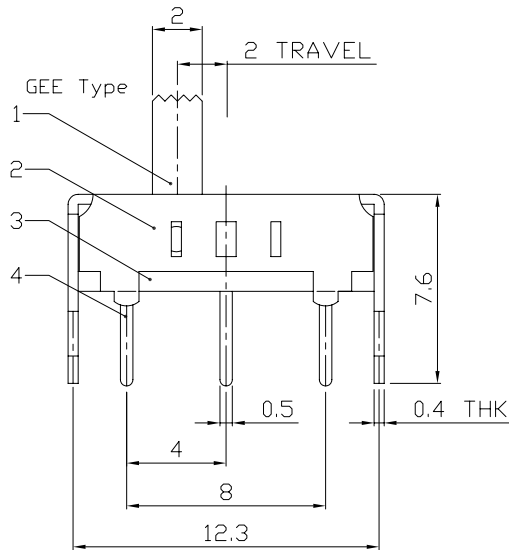
L(mm)
~

DIMENSIONS



P.C.B LAYOUT
BOTTOM VIEW

CIRCUIT DIAGRAM



ELECTRO-MECHANICAL CHARACTERISTICS

Refer to additional specifications

RATING	0.3A 50V DC
CIRCUIT	1P3T
CONTACT RESISTANCE	100mΩ MAX.
TIMING	NON-SHORTING
TRAVEL	2mm
OPERATING FORCE	250±100gf
OPERATING LIFE(cycles)	10,000

NO.	PARTS	MATERIAL	Q'TY	FINISHING
8				
7				
6	SPRING PLATE	SUS	1	NATURAL
5	CONTACT CLIP	PBS STRIP	1	Ag CLAD
4	TERMINAL	BRASS STRIP	3	Ag CLAD
3	BASE	PHENOLIC RESIN	1	NATURAL
2	FRAME	STEEL STRIP	1	Ni PLATED
1	KNOB	POM	1	BLACK
NO.	PARTS	MATERIAL	Q'TY	FINISHING

WITHIN 1.5mm: ±0.1mm
OVER 1.5mm: ±0.2mm

UNITS mm

MAT'L SEE NOTE

FINISH SEE NOTE

Q'TY

THESE DRAWINGS AND SPECIFICATIONS ARE THE PROPERTY OF ACCURATE INNOTECH INC AND SHALL NOT BE REPRODUCED, COPIED OR USED IN ANY MANNER WITHOUT THE PRIOR WRITTEN CONSENT OF ACCURATE INNOTECH INC.

龙创中业电子 (深圳) 有限公司

TITLE: SLIDE SWITCH / VERTICAL PART NO.: SS-13D10

DR: *Ricky* 2015/07/07 DWG NO.: ADL-13D10

CHKD: *Ricky* 2015/07/07

APPD:

SCALE	SHEET	REV.	CUSTOMER DRAWING
4:1	1/1	A	