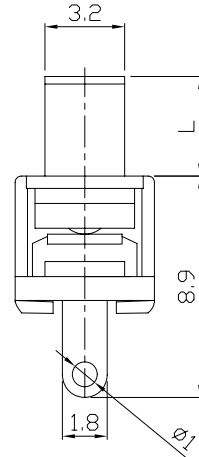
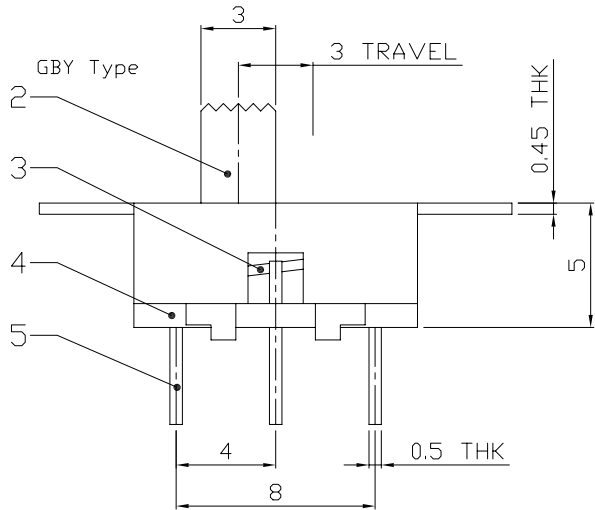
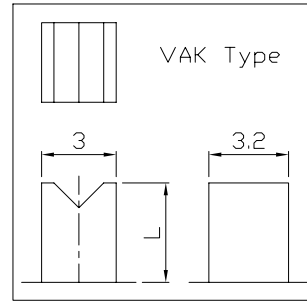
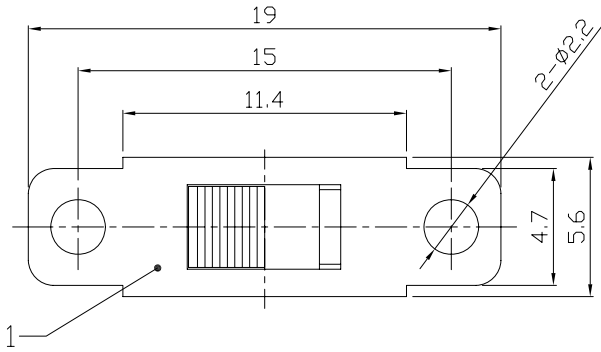




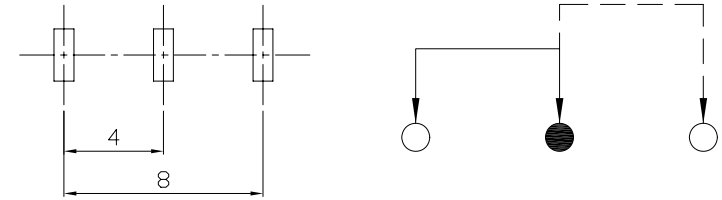
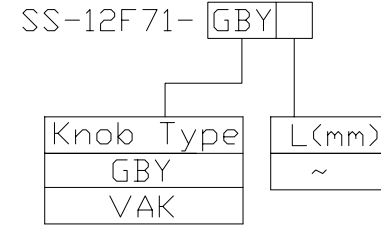
RoHS
Compliant
2002/95/EC

REV.	ECN.	NO.	APPD.

DIMENSIONS



MODEL CODE



P.C.B LAYOUT
BOTTOM VIEW

CIRCUIT DIAGRAM

ELECTRO-MECHANICAL CHARACTERISTICS

Refer to additional specifications

RATING	0.5A 50V DC
CIRCUIT	1P2T
CONTACT RESISTANCE	30mΩ MAX.
TIMING	NON-SHORTING
TRAVEL	3mm
OPERATING FORCE	200±100gf
OPERATING LIFE(cycles)	10,000

8					
7	SPRING	STEEL WIRE	1	NATURAL	WITHIN 1.5mm: ±0.1mm
6	STEEL BALL	STEEL	1	NATURAL	OVER 1.5mm: ±0.2mm
5	TERMINAL	BRASS STRIP	3	Ag PLATED OVER Ni PLATED	
4	BASE	PHENDLIC RESIN	1	NATURAL	
3	CONTACT	BRASS STRIP	1	Ag PLATED	
2	KNOB	POM	1	BLACK	
1	FRAME	STEEL STRIP	1	BLACK	
NO.	PARTS	MATERIAL	Q'TY	FINISHING	

THESE DRAWINGS AND SPECIFICATIONS ARE THE PROPERTY OF ACCURATE INNOTECH INC AND SHALL NOT BE REPRODUCED, COPIED OR USED IN ANY MANNER WITHOUT THE PRIOR WRITTEN CONSENT OF ACCURATE INNOTECH INC.

UNITS	mm
MAT'L	SEE NOTE
FINISH	SEE NOTE
Q'TY	

龙创中业电子（深圳）有限公司

TITLE:	SLIDE SWITCH / VERTICAL	PART NO.:	SS-12F71
DR:	Ricky 2015/06/09	DWG NO.:	ADJ-12F71
CHKD:	Ricky 2015/06/09	SCALE	3:1
APPD:		SHEET	1/1
		REV.	A
		CUSTOMER DRAWING	