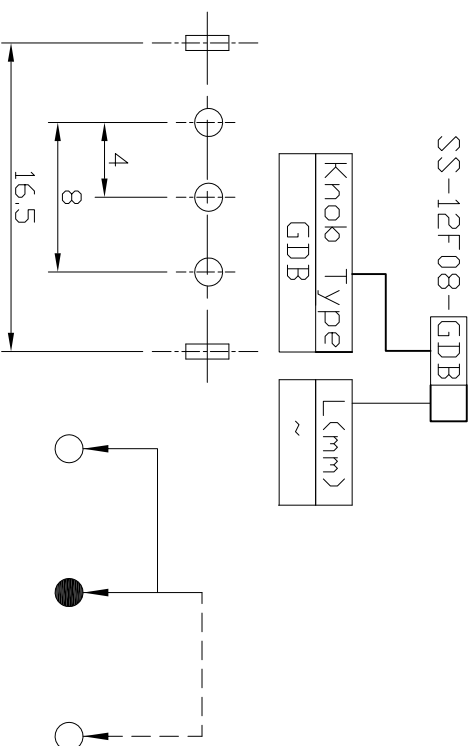
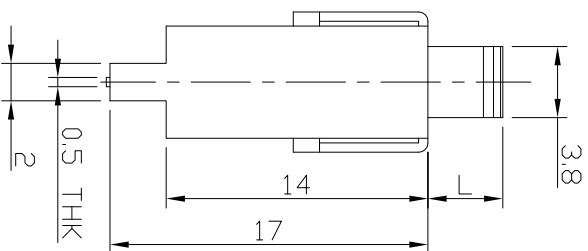
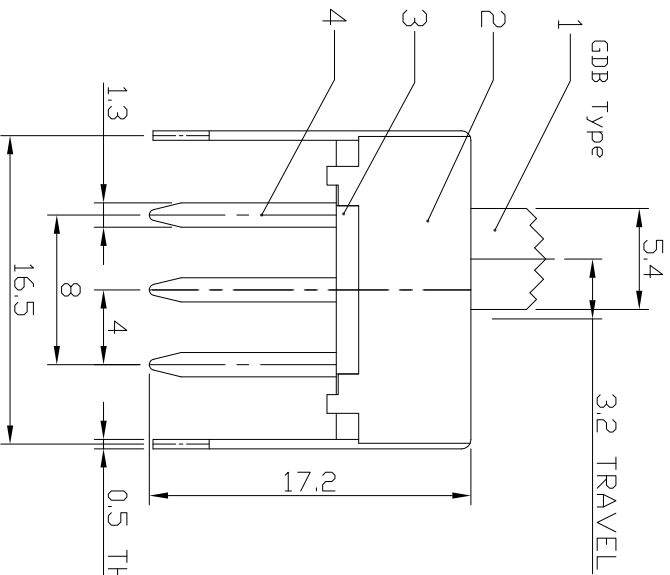
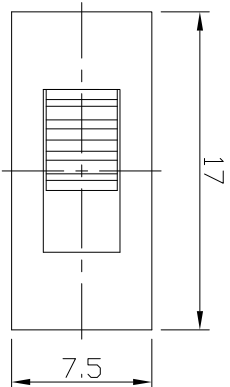




RoHS
Compliant
2002/95/EC

DIMENSIONS



MODEL CODE

SS-12F08-GDB

P.C.B LAYOUT
BOTTOM VIEW

CIRCUIT DIAGRAM

ELECTRO-MECHANICAL CHARACTERISTICS

Refer to additional specifications

RATING	0.5A 50V DC
CIRCUIT	1P2T
CONTACT RESISTANCE	100mΩ MAX.
TIMING	NON-SHORTING
TRAVEL	3.2mm
OPERATING FORCE	200±80gf
OPERATING LIFE(cycles)	10,000

8																			
7	SPRING	STEEL WIRE	1	NATURAL															
6	CONTACT	BRASS STRIP	1	Ag PLATED															
4	TERMINAL	BRASS STRIP	3	Ag PLATED															
3	BASE	PHENOLIC RESIN	1	BLACK															
2	FRAME	STEEL STRIP	1	Ni PLATED															
1	KNDB	POM	1	BLACK															
ND.	PARTS	MATERIAL	Q'TY	FINISHING															

龙创中业电子（深圳）有限公司

TITLE: SLIDE SWITCH / VERTICAL
PART NO.: SS-12F08

DR: Ricky 2015/05/22 DWG NO.: ADL-12F08

CHKD: Ricky 2015/05/22

APPD:

SCALE: 1/1 REV. A CUSTOMER DRAWING

REV.	ECN.	NO.	APPL.