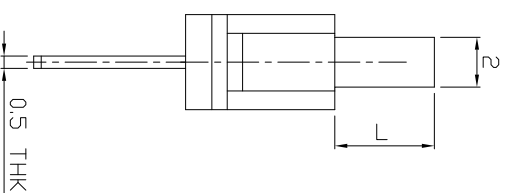
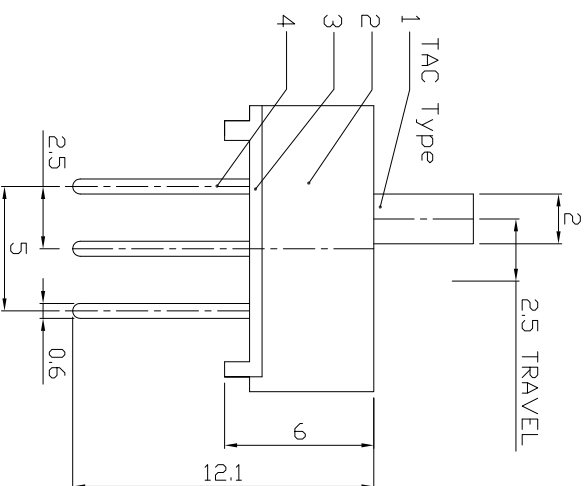
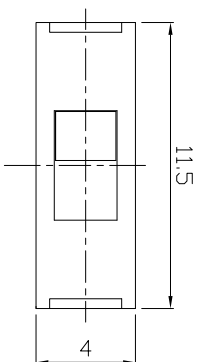




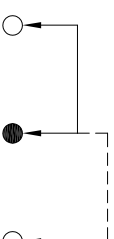
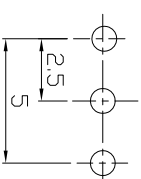
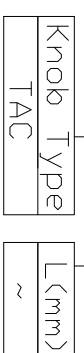
RoHS
Compliant
2002/95/EC

DIMENSIONS



MODEL CODE

SS-12E01 - TAC



P.C.B LAYOUT

BOTTOM VIEW

CIRCUIT DIAGRAM

ELECTRO-MECHANICAL CHARACTERISTICS

Refer to additional specifications

RATING	0.3A 50V DC
CIRCUIT	1P2T
CONTACT RESISTANCE	30mΩ MAX.
TIMING	SHORTING
TRAVEL	2.5mm
OPERATING FORCE	250±100gf
OPERATING LIFE(cycles)	10,000

8																			
7																			
6																			
5	CONTACT CLIP	PBS C5E210R-EH	1	Ag CLAD															
4	TERMINAL	BRASS STRIP	3	Ag PLATED															
3	BASE	PA+FG	1	BLACK															
2	HOUSING	PA+FG	1	BLACK															
1	KNDB	PA+FG	1	BLACK															
ND.	PARTS	MATERIAL	Q'TY	FINISHING															

WITHIN 1.5mm: ±0.1mm
OVER 1.5mm: ±0.2mm

UNITS mm

MAT'L SEE NOTE

FINISH SEE NOTE

DR: *Rocky* 2016/08/04 DVG NO: AZJ-12E01

CHK'D: *Rocky* 2016/08/04 SCALE SHEET 4/1 1/1 A

APPD: CUSTOMER DRAWING

龙创中业电子（深圳）有限公司

TITLE: SLIDE SWITCH / VERTICAL

PART NO.: SS-12E01

REV. ECN. NO. APPL.