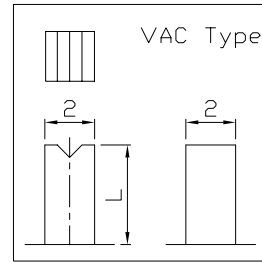
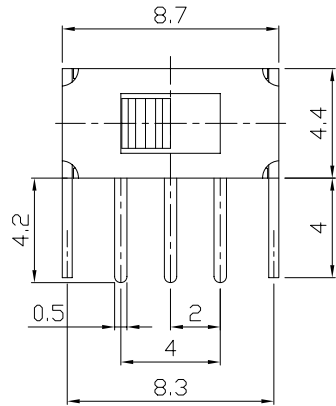




RoHS
Compliant
2002/95/EC

REV.	ECN.	NO.	APPD.

DIMENSIONS

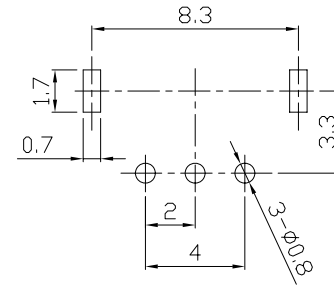


MODEL CODE

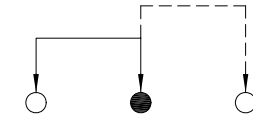
SS-12D37-GEE

Knob Type
GEE
VAC

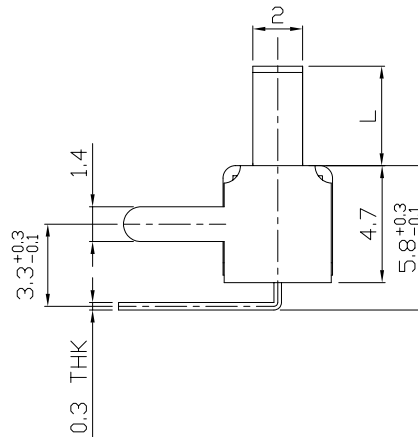
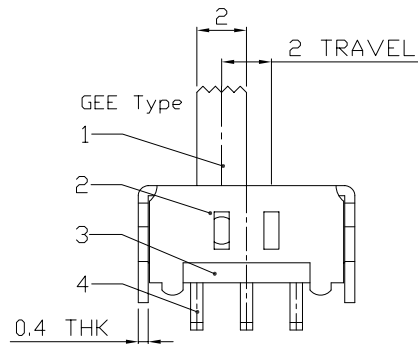
L(mm)
~



P.C.B LAYOUT
BOTTOM VIEW



CIRCUIT DIAGRAM



ELECTRO-MECHANICAL CHARACTERISTICS

Refer to additional specifications

RATING	0.3A 50V DC
CIRCUIT	1P2T
CONTACT RESISTANCE	100mΩ MAX.
TIMING	NON-SHORTING
TRAVEL	2mm
OPERATING FORCE	250±100gf
OPERATING LIFE(cycles)	10,000

8					
7					
6	SPRING PLATE	PBS STRIP	1	NATURAL	
5	CONTACT CLIP	PBS STRIP	1	Ag CLAD	
4	TERMINAL	BRASS STRIP	3	Ag CLAD	
3	BASE	PHENOLIC RESIN	1	NATURAL	
2	FRAME	STEEL STRIP	1	Ni PLATED	
1	KNOB	POM	1	BLACK	
NO.	PARTS	MATERIAL	Q'TY	FINISHING	

WITHIN 1.5mm: ±0.1mm
OVER 1.5mm: ±0.2mm

THESE DRAWINGS AND SPECIFICATIONS ARE THE PROPERTY OF ACCURATE INNOTECH INC AND SHALL NOT BE REPRODUCED, COPIED OR USED IN ANY MANNER WITHOUT THE PRIOR WRITTEN CONSENT OF ACCURATE INNOTECH INC.

UNITS	mm
MAT'L	SEE NOTE
FINISH	SEE NOTE
Q'TY	

龙创中业电子 (深圳) 有限公司

TITLE: SLIDE SWITCH / VERTICAL
PART NO.: SS-12D37

DR: Ricky 2015/07/07
DWG NO.: ADL-12D37

CHKD: Ricky 2015/07/07

APPD:

SCALE	SHEET	REV.	CUSTOMER DRAWING
4:1	1/1	A	