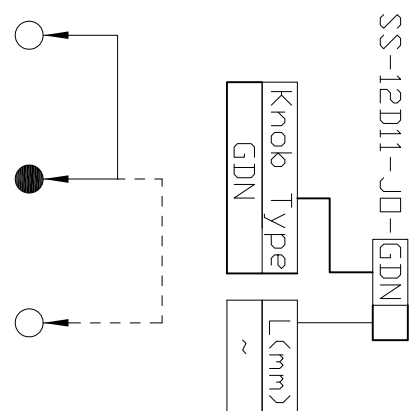
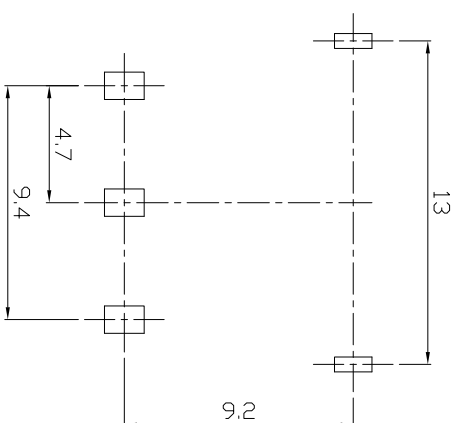
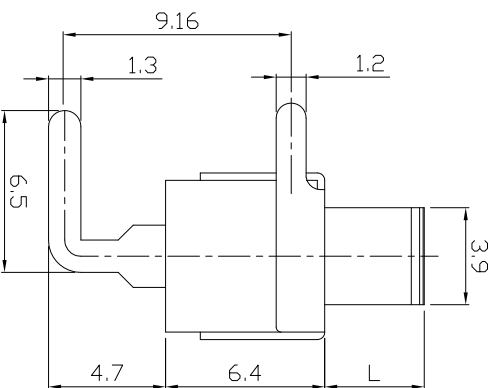
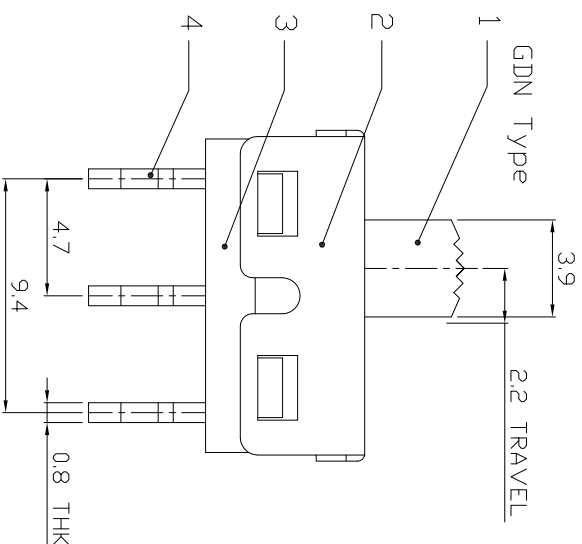
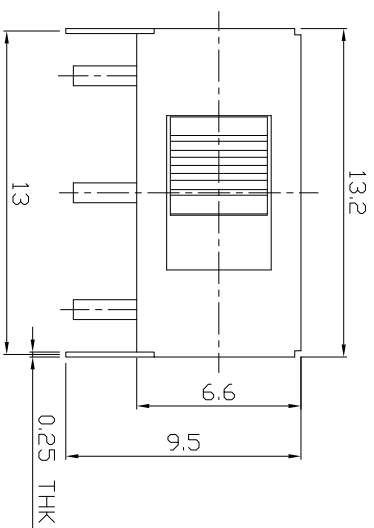




RoHS
Compliant
2002/95/EC

DIMENSIONS



P.C.B LAYOUT
BOTTOM VIEW

CIRCUIT DIAGRAM

ELECTRO-MECHANICAL CHARACTERISTICS

Refer to additional specifications

RATING	2A 125V AC
CIRCUIT	1P2T
CONTACT RESISTANCE	30mΩ MAX.
TIMING	NON-SHORTING
TRAVEL	2.2mm
OPERATING FORCE	300±150gf
OPERATING LIFE(cycles)	10,000

8	STEEL BALL	STEEL	1	NATURAL	
7	SPRING	STEEL WIRE	1	NATURAL	
6	CONTACT	COPPER STRIP	1	AG PLATED OVER NI PLATED	
4	TERMINAL	COPPER STRIP	3	AG PLATED OVER NI PLATED	
3	CASE	NYLON+P.G+94V0	1	BLACK	
2	COVER	SUS	1	Sn PLATED	
1	KNDB	NYLON+P.G+94V0	1	BLACK	
ND.	PARTS	MATERIAL	Q'TY	FINISHING	

WITHIN 1.5mm: ±0.1mm
OVER 1.5mm: ±0.2mm

龙创中业电子（深圳）有限公司

TITLE: SLIDE SWITCH / VERTICAL

PART NO.: SS-12D11-JD

DR: Ricky 2015/06/09 DWG NO: ADJ-12D11-JD

CHKD: Ricky 2015/06/09 SCALE SHEET REV. 1/1 A CUSTOMER DRAWING



REV.	ECN.	NO.	APPL.