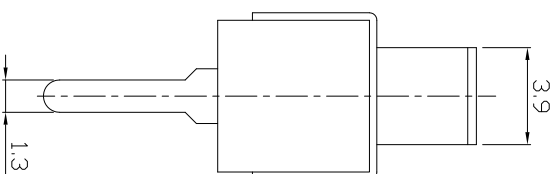
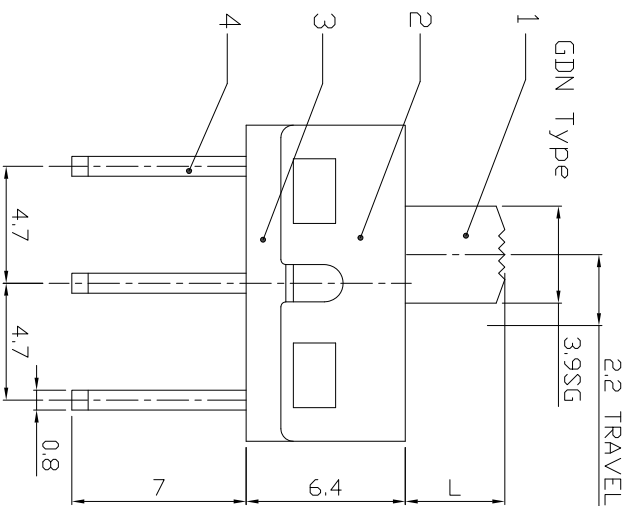
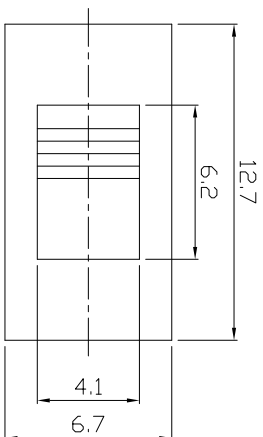




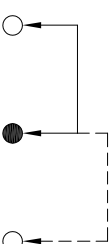
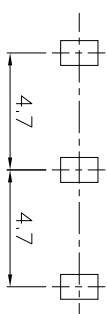
RoHS
Compliant
2002/95/EC

DIMENSIONS



MODEL CODE

SS-12D10 - GDN



**P.C.B LAYOUT
BOTTOM VIEW**

CIRCUIT DIAGRAM

ELECTRO-MECHANICAL CHARACTERISTICS

Refer to additional specifications

RATING	1.5A 125V AC
CIRCUIT	1P2T
CONTACT RESISTANCE	30mΩ MAX.
TIMING	NON-SHORTING
TRAVEL	2.2mm
OPERATING FORCE	300±150gf
OPERATING LIFE(cycles)	10,000

龙创中业电子（深圳）有限公司

TITLE: SLIDE SWITCH / VERTICAL
PART NO.: SS-12D10

DR: *Rocky* 2016/08/03 DWG NO.: AZJ-12D10
CHKD: *Rocky* 2016/08/03

SCALE: 3/1 SHEET: 1/1 REV: A CUSTOMER DRAWING

NO.	PARTS	MATERIAL	Q'TY	FINISHING
8				
7	SPRING	SUS	1	NATURAL
6	CONTACT	BRASS	1	Ag PLATED
5	CONTACT	BRASS	1	Ag PLATED
4	TERMINAL	BRASS	3	Ag PLATED
3	CASE	NYLON	1	BLACK
2	COVER	SUS	1	NATURAL
1	KNDB	NYLON	1	BLACK
ND.	PARTS	MATERIAL	Q'TY	FINISHING

WITHIN 1.5mm: ±0.1mm
OVER 1.5mm: ±0.2mm

THESE DRAWINGS AND SPECIFICATIONS ARE THE PROPERTY OF ACCURATE INNOTECH INC. AND SHALL NOT BE REPRODUCED, COPIED OR TRANSMITTED IN ANY FORM OR BY ANY MEANS WITHOUT THE WRITTEN CONSENT OF ACCURATE INNOTECH INC.

