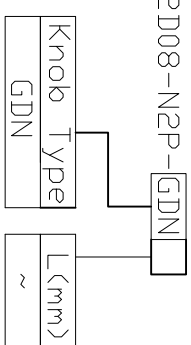
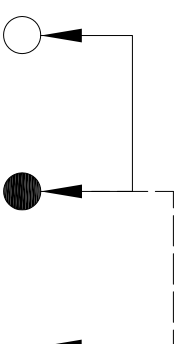
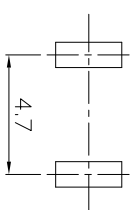
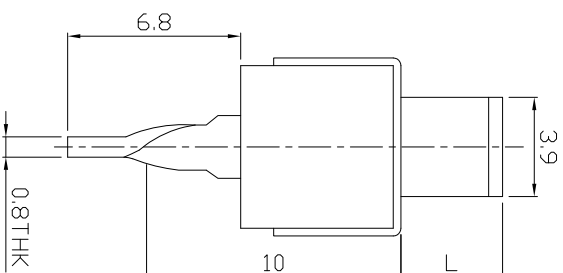
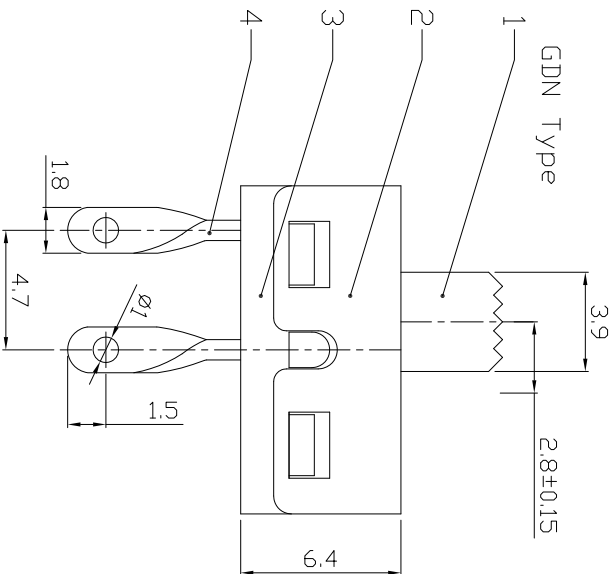
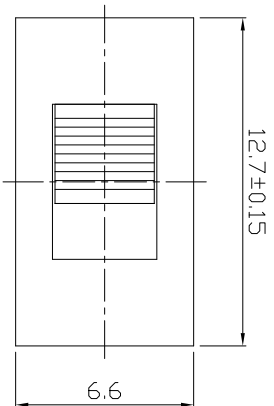




**RoHS**  
Compliant  
2002/95/EC

**DIMENSIONS**



SS-12D08-N2P-GDN

**MODEL CODE**

REV.	ECN.	NO.	APPL.

P.C.B LAYOUT  
BOTTOM VIEW

CIRCUIT DIAGRAM

**ELECTRO-MECHANICAL CHARACTERISTICS**  
Refer to additional specifications

RATING	2A 6V DC
CIRCUIT	1P2T
CONTACT RESISTANCE	100mΩ MAX.
TIMING	NON-SHORTING
TRAVEL	2.8±0.15mm
OPERATING FORCE	500±250gf
OPERATING LIFE(cycles)	10,000

8	STEEL BALL	STEEL	1	NATURAL
7	SPRING	STEEL WIRE	1	NATURAL
6	CONTACT	BRASS STRIP	1	AG PLATED
4	TERMINAL	BRASS STRIP	2	AG PLATED
3	CASE	PA66/NYLON+G+94V0	1	BLACK
2	COVER	SUS	1	NATURAL
1	KNDB	POM/PA66	1	BLACK
ND.	PARTS	MATERIAL	Q'TY	FINISHING

WITHIN 1.5mm: ±0.1mm  
OVER 1.5mm: ±0.2mm

**龙创中业电子（深圳）有限公司**

UNITS	mm	TITLE:	SLIDE SWITCH / VERTICAL	PART NO.:	SS-12D08-N2P
MAT'L	SEE NOTE	DR:	Rocky 2016/02/17	DWG NO.:	ADL-12D08-N2P
FINISH	SEE NOTE	CHKD:	Rocky 2016/02/17	SCALE	SHEET 1/1
Q'TY	APPD:	REV.	A	CUSTOMER DRAWING	